

Tiffany

Electric Can Opener

User Manual

Model Number: CO2062



READ AND SAVE THESE INSTRUCTIONS

IMPORTANT

Please read and follow the instructions in this user manual even if you feel you are familiar with the product, and find a place to keep it handy for future reference.

For your convenience record the complete model number (located on the product identification plate) and the date you received the product, together with your purchase receipt and attach to the warranty and service information card. Retain this card in the event that warranty service is required on your product.

NOTE: The rating of this product (as marked on the product identification plate) is based on specific loading tests. Normal use or the use of other recommended attachments may draw significantly less power.

IMPORTANT SAFEGUARDS

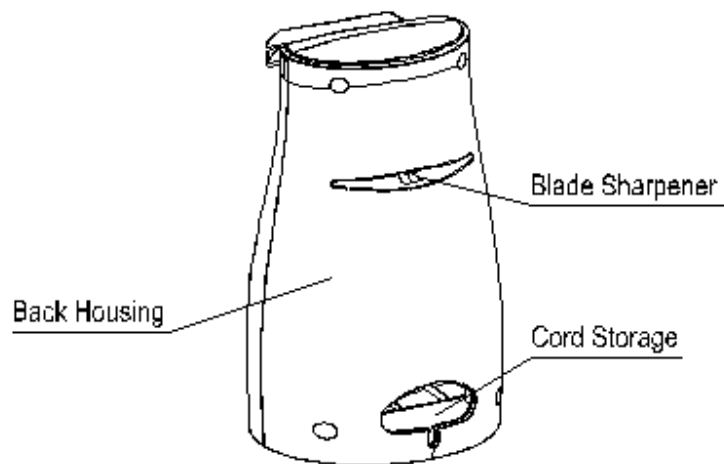
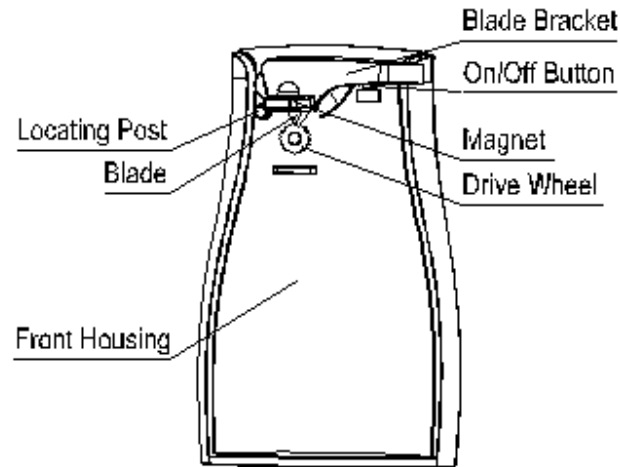
When using any electrically powered product, basic safety precautions should always be followed, including the following:

PLEASE READ ALL INSTRUCTIONS CAREFULLY BEFORE USING THIS PRODUCT

WARNING!: - to reduce the risk of fire, electrical shock or injury to persons or property:

- Carefully read all instructions before operating your new product for the first time and save for future reference.
- Remove and safely discard any packaging material and promotional labels before using the product for the first time.
- Do not operate any appliance with a damaged cord or plug or after the appliance malfunctions, or is dropped or damaged in any manner. Return appliance to the nearest authorized service facility for examination, repair or electrical or mechanical adjustment.
- If the supply cord is damaged it must be replaced by the manufacturer or an authorized service agent or a qualified technician in order to avoid a hazard.
- Keep fingers well away from blade when in use.
- Use extreme care when handling the blades.
- Do not place any part of this appliance in the dishwasher.
- Use extreme care when handling off-cuts.
- Do not immerse the appliance in water or any other liquid.
- Unplug from the power outlet when not in use, before putting on or taking off parts, and before cleaning.
- Close supervision is necessary when this appliance is used by or near children.
- The use of attachments not recommended or sold by the manufacturer may cause fire, electrical shock or injury.
- Do not let the power cord hang over the edge of table, bench top or touch any hot surface.
- This appliance is intended to be used in household and similar applications such as: staff kitchen areas in shops, offices and other working environments; farm houses; by clients in hotels, motels and other residential type environments; bed and breakfast type environments.
- Indoor use only.
- This appliance is intended for normal domestic use.
- Do not open pressurised cans
- Do not open cans that contain flammable liquids.
- This appliance is not intended for use by persons (including children) with reduced physical, sensory or mental capabilities, or lack of experience and knowledge, unless they have been given supervision or instruction concerning use of the appliances by a person responsible for their safety.
- Children should be supervised to ensure they do not play with the appliance.
- The installation of a residual current device (safety switch) is recommended to provide additional safety protection when using electrical appliances. It is advisable that a safety switch with a rated residual operating current not exceeding 30mA be installed in the electrical circuit supplying the appliance. See your electrician for professional advice.

FEATURES



INSTRUCTIONS

1. Remove the unit and the blade bracket from the packaging. Remove all packaging materials, including any labels etc.
2. To attach the blade bracket to the can opener, align the key tabs with the key slots. Push it forward to fix it into place (see Fig.1), then press down the blade bracket to ensure it has been assembled into place (see Fig. 2).

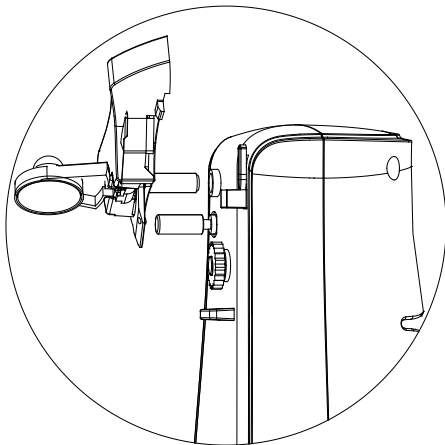


Fig.1

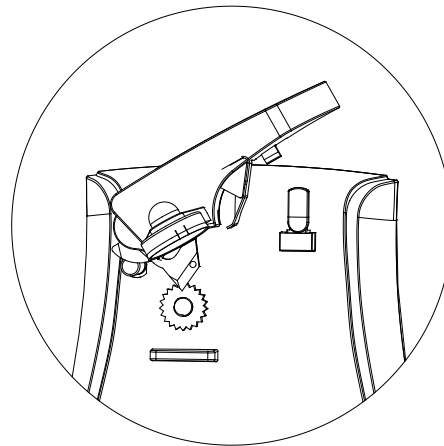
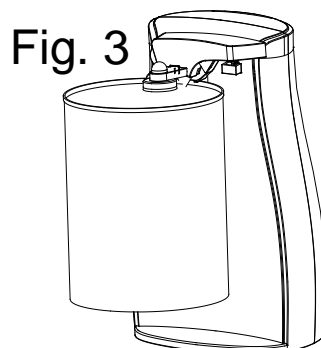


Fig.2

3. Lift the blade bracket
4. Connect to a power outlet.
5. Tip the can you wish to open, so that the rim is under the locating post. The lid of the can will be drawn to the magnet. Press down the blade bracket while the On/Off button is in the 'On' position. Ensure the blade is inside the rim (see Fig. 3) The drive wheel will automatically rotate the can, and the blade will cut the lid open. Because of the hands-free feature, it is not necessary to hold the blade bracket down, or support the can while it is opening.



NOTE: The can you wish to open must be between 50-100mm in diameter and a maximum of 178mm in height. The maximum weight the can opener can hold 'hands-free' is 510g. If the can weighs more than 510g, you will be required to press and support the can/opener to avoid overturning.

6. Once the can is opened, the can opener will stop automatically. To remove the can, hold it with one hand and raise the blade bracket with your other hand.

CAUTION: Avoid making contact with the cut edges of the can or the lid, as they are sharp. Carefully remove the lid from the magnet and discard.

NOTE: The can opener should not be used for longer than 1 minute at a time.

7. The excess cord can be stored in the back of the unit.

TIPS

1. This Product is not to be used to open cans designed to be opened by another method, such as a pull tab, peel off foil seal, or rolling key. This can opener is not to be used to open rimless cans or cans with angled corners.
2. If there is a dent in the rim of the can, open the other end, or start cutting just beyond the dent.
3. Cans with heavy seams, uneven rims or odd shapes may cause the can opener to stall. If this happens, turn the can slightly by hand, which will help to aid the cutting action.
4. Aluminium lids will not stick to the magnet.

KNIFE SHARPENING

1. Before sharpening any knives, please unplug the power supply.
2. Place the knife which is to be sharpened in the slot at the back of the unit. Refer to image below Fig. 4.
3. Pull the knife back and forth through the unit until the desired sharpness is achieved. For best results carefully pull through the whole length of the knife blade.
4. After sharpening, wash and dry the knife.

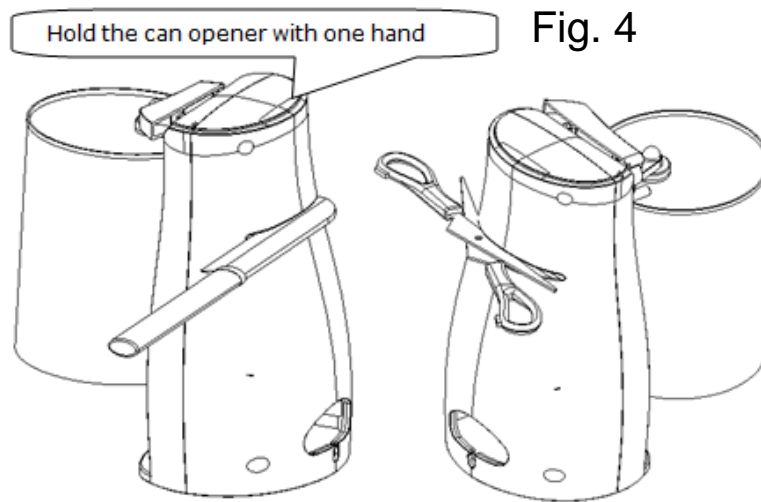
NOTE: This sharpener can also be used to sharpen stationery scissors.

WARNING: Be cautious after knife sharpening.

TIPS:

- Clean and dry the knives before sharpening.
- Do not attempt to sharpen serrated blades, as this will ruin and smooth the knife edge.

- Do not attempt to sharpen kitchen scissors.



CLEANING AND STORING

1. **CAUTION:** Be sure to switch off at the power outlet and unplug this appliance before commencing any cleaning. To protect against electrical shock, do not immerse the cord, plug or motor base in water or any other liquid. After each use, always make sure the plug is removed from the power outlet.
2. Remove the blade bracket by lifting it up and pulling it out. The blade bracket can be cleaned with a damp cloth, and then dried thoroughly. This component is **NOT** dishwasher safe.
3. Before replacing the blade bracket, wipe the can opener housing and the area around the drive wheel with a slightly damp cloth or sponge. Use a damp sponge with mild detergent to remove any stubborn marks, and wipe over with a dry lint free cloth. Do not use abrasive cleaners on any part of this appliance.
4. Replace the blade bracket.
5. **WARNING:** Do not immerse the can opener in water or any other liquid.

CUSTOMER SERVICE

Australian Customer Service

GAF Control (Sales) Pty Ltd

P.O Box 19

Altona North Victoria 3025

Phone: 1300 659 489

Hours: 9am-5pm (EST) Mon-Fri

www.gafcontrol.com.au

*This product may vary slightly to the product illustrated due to ongoing product development.