

SUNAIR

Instruction Manual

10L Evaporative Cooler

Model: ECS11



READ AND SAVE THESE INSTRUCTIONS

Please read and follow the instructions in this user manual even if you feel you are familiar with the product, and find a place to keep it handy for future reference.

For your convenience record the complete model number (located on the product identification plate) and the date you received the product, together with your purchase receipt and attach to the warranty and service information. Retain in the event that warranty service is required.

NOTE: The rating of this product (as marked on the product identification plate) is based on specific loading tests. Normal use or the use of other recommended attachments may draw significantly less power.

Important Safeguards

When using any electrically powered product, basic safety precautions should always be followed, including the following:

PLEASE READ ALL INSTRUCTIONS CAREFULLY BEFORE USING THIS PRODUCT

WARNING!: - to reduce the risk of fire, electrical shock or injury to persons or property:

- Always operate the product from a power source of the same voltage, frequency and rating as indicated on the product identification plate.
- Remove the unit from its packaging and check to make sure it is in good condition before using.
- Do not let children play with parts of the packaging (such as plastic bags).
- Close supervision is necessary when the product is used by or near children or infirm persons. Do not allow children to use it as a toy.
- Do not operate any product with a damaged cord or plug, or after the product malfunctions, or is dropped or appears damaged in any way. Return the complete product to the place of purchase for inspection, repair or replacement.
- Before unplugging the power cord, be sure to turn the power off. When touching the unit, be sure your hands are dry to prevent electrical shock.
- Never install the unit where it is exposed to direct sunlight, excessive moisture/rain, dust and lack of ventilation near any heat sources.
- Avoid making contact with moving parts. Never insert fingers, pencils or any other objects through the guards whenever the power plug is connected, especially while the unit is working.
- Always place the cooler on a stable, level surface when operating to prevent the fan from overturning. Do not run the power cord under carpet. Do not cover the power cord with throw rugs or runners. Route the power cord away from walking paths so that nobody can trip over it. The cable should be kept away from heat, sharp edges and oil.
- To reduce the risk of electric shock, do not immerse or expose the product or flexible cord to rain, moisture or any liquid other than those necessary for correct operation of the product.
- This product should not be used in the immediate vicinity of water, such as bathtub, washbowl, bathroom swimming pool etc. Where the likelihood of immersion or splashing could occur.
- Switch off and unplug from outlet when not in use, before assembling or disassembling parts and before cleaning. Remove by grasping the plug - do not pull on the cord.
- Be sure that no other high current appliances are plugged into the same circuit as your fan, as an overload can occur.
- Avoid the use of an extension cord as the extension cord may overheat and cause a risk of fire.
- Do not use the appliance for other than its intended use.
- Do not use outdoors. **FOR INDOOR USE ONLY.**
- Do not leave the appliance unattended when switched on.
- Do not cover the grill, or operate in close proximity to curtains etc.

- The use of attachments or accessories not recommended or sold by the product distributor may cause personal or property hazards or injuries.
- This product is intended for normal domestic/household use only.
- Never leave a working appliance unattended, even for a short period of time – always switch it off. Please unplug the appliance from the power supply when not in use.
- Use this cooler as described in this manual. Any other uses, not recommended by the manufacturer, may cause fire, electric shock, or injury to persons and may void the warranty.
- This appliance is not intended for use by persons (including children) with reduced physical, sensory or mental capabilities, or lack of experience and knowledge, unless they have been given supervision or instruction concerning the use of the appliance by a person responsible for their safety.
- CAUTION: To reduce the risk of electric shock, DO NOT remove the cover (or back) whilst the unit is in operation or connected to the mains supply.
- This product operates with water - operate and move the product with extreme care.
- Always operate and store the unit in an upright position.
- The installation of a residual current device (safety switch) is recommended to provide additional safety protection when using electrical appliances. It is advisable that a safety switch with a rated residual operating current not exceeding 30mA be installed in the electrical circuit supplying the appliance. See your electrician for professional advice.

Product Introduction & Features

Evaporative air cooling is a natural way of cooling, similar to a breeze flowing across the water which drops the temperature at the beach, and has a relaxing cooling effect on people.

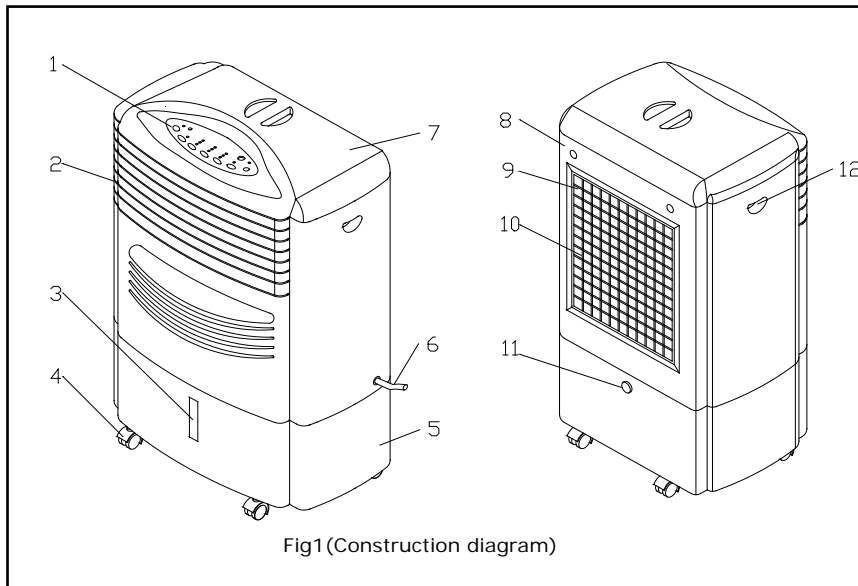
When water as a liquid evaporates in to the air, the result is a mixture of air and water molecules. This chemical change requires heat, thus energy or latent heat is taken from the air molecules - dropping the actual temperature of the air.

Air contains dust, pollen and other pollutants. The evaporative air cooler cleans the air providing cool, fresh, clean healthy air.

For best operating performance position the unit in a location that will create a “flow through” air effect. The greatest cooling effect will be felt if the unit is operated in a partly opened doorway or window with the “cool” conditioned air directed into the room to be cooled. It is important to also have a door or window partly opened away from the cooler to create this “flow through” effect.

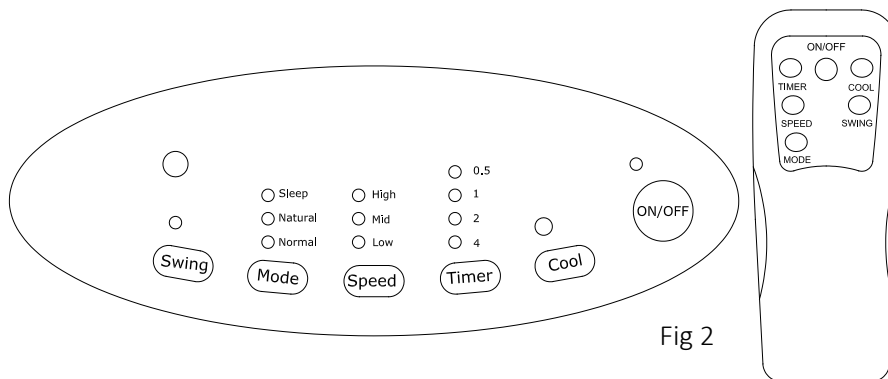
On days of high humidity, the cooling effect may be significantly reduced as the air entering the filter may already be saturated with moisture. On days like this it may be better to switch the cooling feature OFF and operate the unit as a fan only.

Parts Location



- | | |
|--------------------------|--|
| 1. Control panel | 7. Water filling box (for add water and ice) |
| 2. Louver | 8. Back cover |
| 3. Water level indicator | 9. Air filter |
| 4. Wheel (4pcs) | 10. Filter cover |
| 5. Water tank | 11. Water drainage outlet |
| 6. Power Cord | 12. Handle |

Control Panel Layout



Before First Use

Before use, remove all packaging and inspect the appliance for any damage. If there appears to be any damage, please take the unit back to place of purchase for a replacement.

Operating Instructions

- ON/OFF:** Press the button once to start air cooler. Press again to Power OFF the air cooler. When cooler is plugged into the main socket, the LED will light up, indicating the air cooler has power and is ready to be switched ON or OFF.
- SWING:** Press once, the indicating LED will light up, louver of the air cooler begins to swing horizontally and blow cool air. Push the button again, the LED is now OFF. The louver of air cooler stops swinging, and air is blowing in one direction.
- SPEED:** Press to change fan speed from "High-Mid-Low", relative SPEED indicator LED lights on. SPEED function High-Mid-Low and also be used in-conjunction with the SLEEP and Natural function.

- D. **TIMER:** can be set the length of time before the cooler switches itself OFF. Press once for every 0.5hr increments. Maximum allowable is 7.5hrs. Example of use, if 0.5hr and 1.0hr lights on at the same time, it means timer is set 1. 5hrs before automatically switching OFF. The TIMER function is OFF when no LED is illuminated.
- E. **COOL MODE:** Press once to operate the COOL function. This function begins the process of soaking the air filter in water so that normal air passing through the air filter will be cooler when blown out. Press the button again to switch this function OFF, and the unit will operate the fan mode only.
- F. **MODE:** There are 3 mode functions, Normal, Natural or Sleep.
- Normal mode: Constant air flow and can be adjust via pressing the SPEED function button. *Example: Normal LOW or Normal High or Normal Medium.*
 - Natural mode: Programmed to simulated Natural air flow (wind) as I would if it was entering via the window. This mode is preferred for use when constant air flow (Normal mode) is not suitable. Natural mode can be operating HIGH or MEDIUM or LOW speed.
 - Sleep Mode: Programmed to provide comfort while the user is asleep. This mode is similar to the Natural mode and can operate with SPEED mode HIGH or MEDIUM or LOW.

NOTE: All of the above can be operated via the remote controller shown in Fig.2

Before inserting the plug into a power outlet, make sure that the correct voltage being used corresponds to what is indicated on the rating label, and that the socket has an earth facility.

1. Ensure the cap on the Water drainage outlet of the unit is tight. Pour clean cold water into the water filler area, observing the water level indicator in the bottom front panel.

CAUTION:

- DO NOT SPILL OR ALLOW WATER TO COME IN CONTACT WITH THE CONTROL PANEL.
 - Do not overfill past the MAX water line.
 - Do not pour water into the ice tank.
 - Do not allow the combined use of water and ice to overfill the water reservoir.
 - When moving the unit, do so with extreme caution; do not spill any water in the reservoir. The unit should be moved slowly and in a sideways direction.
 - Always keep the unit upright.
2. Connect the unit to a power outlet of the same voltage and frequency as indicated on the rating plate. The unit ON/OFF LED for the power will light to indicate that there is power to the unit.
 3. Turn the unit ON by pressing the ON/OFF button. The unit will start and then revert to the initial Normal / LOW speed setting. Further operation can be performed via pressing the SPEED, MODE, TIMER, COOL and SWING buttons.
 4. If you wish to turn the unit off at a pre-determined time, press the TIMER button. The unit can be set to turn off at any time between 0.5 hour and 7.5 hours from "Turn On" by pressing the TIMER button. If no time is selected, the unit will operate continuously.
 5. The time set can be increased in 0.5hr steps and the selected time is indicated by a combination of indicator lights. E.g. 5.5hrs is indicated by the 4hr LED, the 1hr LED and the 0.5hr LED being illuminated.
 6. To initiate the cooling function, press the COOL button. It will take approximately minutes for the air to cool.

NOTE: If this button is not pressed the unit will only circulate "room temperature" air.

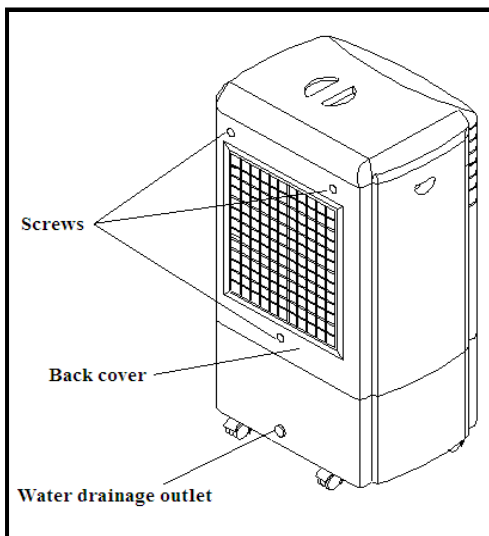
7. Move the horizontal louver for the air outlet to blow up or down to suit.

8. The vertical louvers can be set to a direction or allowed to rotate through 120° by pressing the SWING button.
9. All the functions can be performed with the remote control supplied with this unit.
 - a) Remove battery cover and install two “AAA” batteries (not included) as indicated. (Please observe correct battery polarity.)
 - b) Point the remote towards the unit and depress the appropriate button. The remote control will operate up to 4 metres from the unit.
10. Press the OFF button to cancel all functions.
11. When not in use disconnect the unit from the power outlet and drain all water from the water reservoir. (See HOW TO CLEAN)

NOTE: Initial setting is “normal” mode and “low” speed and will occur every time the plug is plugged into the power main. Once the cooler has been set to desire function/s, the cooler will keep memory of the setting as long as there is power to the cooler (step 2) when it is switched OFF, and without unplugging the power plug. The cooler will only remember settings when main power which the cooler is plugged into, remains switched on.

Care & Cleaning

To ensure effective humidifying and filtering, it is recommended that the filtering system be cleaned once every 1-2 months.



1. Disconnect the unit from the mains supply.
2. Empty the water reservoir by loosening the plug of the water drainage outlet. Make sure you have a container under the drain to collect the water or empty the unit outside. You may have to empty the water collector a few times, so just re-cap the plug of the water drainage outlet during emptying.
3. It is important after every season to clean the water reservoir and filter system of the unit.

CAUTION: Care must be taken as the filter system contains electric cables and motor. These components are not to be splashed or immersed in water.

4. Unscrew rear fixing back cover screws and release the back cover.

5. Disconnect the electric motor connection and remove the complete filter assembly by pulling out from the top and then lifting the filter assembly - up and out.
6. The air filter is connected into the back cover via two clips at the top. Release by pressing the two clips down and give it a little push. Care full not to damage the filter.

CAUTION: Do not immerse or allow the motor or electric cables to come in contact with any liquid.

- i. Do not immerse the Photo catalysis filter in water or any other liquid. This filter should not be allowed to become wet. It should be placed in a sunny position to reactivate it.
7. The water curtain is supported by two rollers, which can be removed for cleaning with mild soap. It is recommended to be cleaned once every 6 months
8. Wipe out and dry the water reservoir. Replace the water drainage plug. It is recommended to be cleaned once every 1-2 months
9. Dry the filter and filter assembly and the water curtain before re-assembling.
10. To clean the exterior surfaces simply wipe over with a soft damp cloth. Should it be necessary, greasy marks may be removed from the surfaces by using mild soap and a cloth dampened in hot water. Avoid all other types of detergents, cleaners, solvents that may contain chemicals which could damage parts of the unit. Thoroughly dry all parts before storage.
11. Store in a cool dust free location for next use.

Troubleshooting

Always check full product operation as detailed above before returning any product as faulty.

On humid days the unit may not appear to be cooling correctly. This is due to the air already being saturated with water. Adding more water to the air will not result in reducing the air temperature. In these conditions, it is advisable to operate the unit as a fan to circulate room temperature air.

Specifications

Rated voltage frequency	230-240VAC 50Hz
Input power	70W
Max. Air Volume	>20m ³ /min
Water Tank Capacity	10 Litres
Modes / Functions	9
New Weight	6kg
Dimensions	300 x 397 x 650mm

Australian Customer Service

GAF Control (Sales) Pty Ltd
P.O Box 19
Altona North Victoria 3025
Phone: 1300 659 489
Hours: 9am-5pm (EST) Mon-Fri
www.gafcontrol.com.au

*This product may vary slightly to the product illustrated due to ongoing product development.