

HELLER

Ice Maker User Manual

Model Number: HIM12



THANK YOU FOR CHOOSING OUR ICE MAKER
PLEASE READ THE MANUAL CAREFULLY BEFORE OPERATING

IMPORTANT

Please read and follow the instructions in this user manual even if you feel you are familiar with the product, and find a place to keep it handy for future reference.

For your convenience, record the complete model number (located on the product identification plate) and the date you received the product together with your purchase receipt, and attach to the warranty and service information. Retain in the event that warranty service is required.

NOTE: The rating of this product (as marked on the product identification plate) is based on specific loading tests. Normal use or the use of other recommended attachments may draw significantly less power.

IMPORTANT SAFEGUARDS

When using any electrically powered product, basic safety precautions should always be followed, including the following:

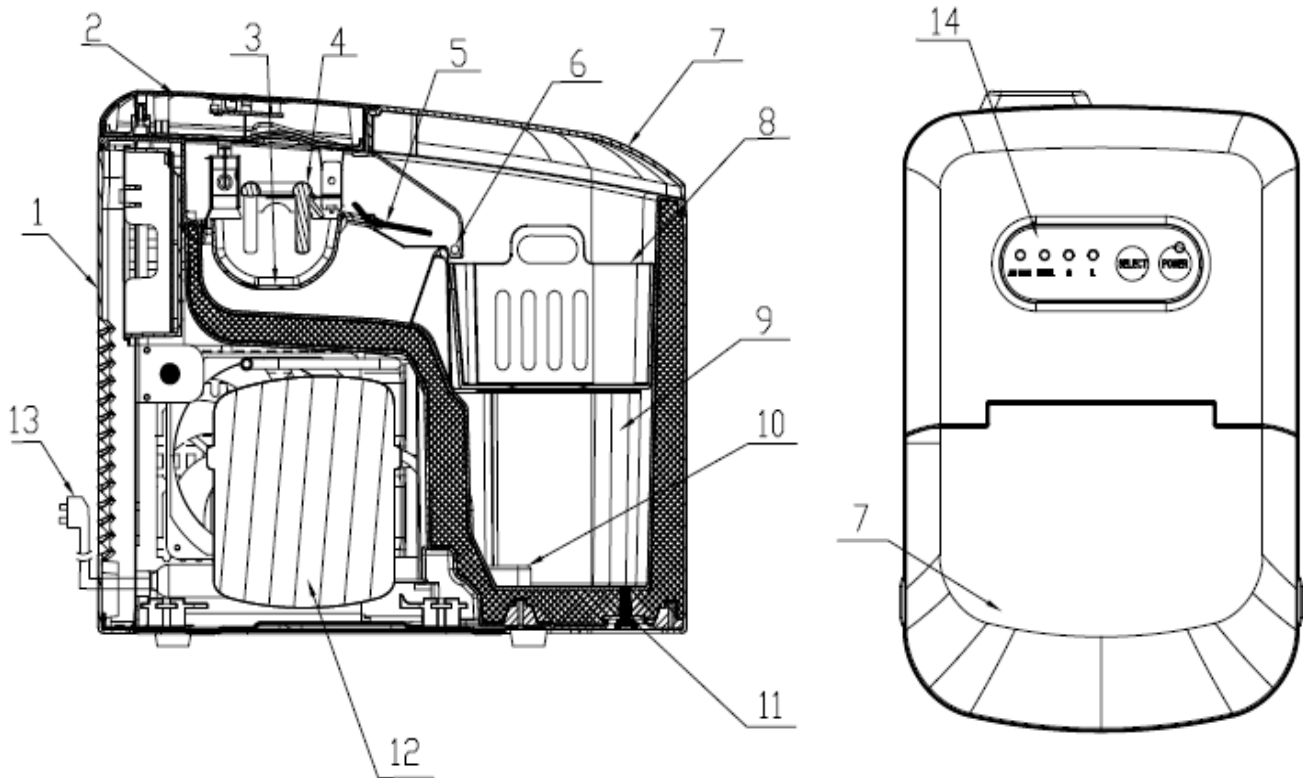
PLEASE READ ALL INSTRUCTIONS CAREFULLY BEFORE USING THIS PRODUCT

WARNING! - to reduce the risk of fire, electrical shock or injury to persons or property:

- Carefully read all instructions before operating your new product for the first time and keep for future reference.
- Remove and safely discard any packaging material and promotional labels before using the product for the first time.
- Before using the Ice maker for the first time, let it sit for 2 hours with the transparent lid open.
- Do not operate any appliance with a damaged cord or plug or after the appliance malfunctions, or is dropped or damaged in any manner. Return appliance to the nearest authorized service facility for examination, repair or electrical or mechanical adjustment.
- If the supply cord is damaged, it must be replaced by the manufacturer, an authorized service agent or a qualified technician in order to avoid a hazard.
- Unplug from power outlet when not in use, before putting on or taking off parts and before cleaning.
- Do not let the cord hang over the edge of a bench, table or to touch hot surfaces.
- Do not store explosive substances such as aerosol cans with a flammable propellant in this appliance.
- Close supervision is necessary when the appliance is being used near children or infirm persons.
- The use of accessories not recommended by the manufacturer may cause injuries to persons.
- This appliance is not intended for used by persons (including children) with reduced physical, sensory or mental capabilities, or lack of experience and knowledge, unless they have been given supervision or instruction concerning use of the appliances by a person responsible for their safety.
- Children should be supervised to ensure that they do not play with the appliance.
- Do not operate the appliance other than for its intended use. This appliance is for household use only.
- Do not use outdoors.
- Do not position this product on an incline over 45 degrees.
- Keep the appliance 8cm from other objects to ensure the heat can be released.
- Do not use the appliance close to open flames, hot plates or stoves.

- The installation of a residual current device (safety switch) is recommended to provide additional safety protection when using electrical appliances. It is advisable that a safety switch with a rated residual operating current not exceeding 30mA be installed in the electrical circuit supplying the appliance. See your electrician for professional advice.

FEATURES



- | | |
|------------------------|----------------------|
| 1. Rear Cover | 8. Ice Basket |
| 2. Top Cover | 9. Water Reservoir |
| 3. Water Tray | 10. Filter |
| 4. Evaporator | 11. Water Drain Plug |
| 5. Ice Shovel | 12. Compressor |
| 6. Ice-Bin-Full Sensor | 13. Power Cord |
| 7. Transparent lid | 14. Control panel |

CONTROL PANEL OPERATION



The POWER indicator light will flash when the unit is plugged in. Once turned on the unit enters standby mode. Press the POWER button to begin operation. If the POWER button is pressed during operation, the machine will return to standby mode.



Press the SELECT button to choose the ice size. The default size is large ice. When you select the desired ice size, the corresponding indicator light of **S** (small) or **L** (large) will illuminate.



When the ADD WATER indicator light is illuminated, it means there is insufficient water in the water reservoir. More water will need to be added, and the POWER button will need to be pressed to restart the machine.



When the ice compartment is full, the ICE FULL indicator will flash, and the machine will stop working. The ice will need to be removed to make room for more ice.

OPERATING INSTRUCTIONS

1. Open the lid and take out the ice basket and add appropriate water into water reservoir.

NOTE: The water in the water reservoir should be lower than the MAX fill line. If the water is above the MAX fill line, then open the water drain plug and drain excess water. Once finished close the transparent lid.

2. Plug the power cord into a power outlet, and press the POWER button to start the machine.
3. Select the desired ice size by pressing the SELECT button (default ice size is 'L').

NOTE:

- Select the small ice size when ambient room temperature is below 15°C. When the ambient temperature is higher than 30°C, large ice cubes are recommended.
- The ice may be small and irregular in size for the first three cycles.

- **When the ice basket is full please remove the ice immediately, do not allow the ice basket to overflow.**

CLEANING

1. Clean the inner lining, ice basket, water reservoir, ice shovel and evaporator frequently. Before commencing any cleaning, unplug the unit and remove any ice cubes. Use a diluted solution of water and vinegar to clean the inside and the outside surface of the Ice Maker. Do not spray Ice Maker with chemicals or diluted agents such as acids, gasoline or oil. Rinse thoroughly.
2. Keep any ventilation openings of the appliance clear of obstruction. Do not use mechanical devices or other means to accelerate the defrosting process, other than those recommended by the manufacturer.
3. Reuse the machine after being inactive for a period of time.
4. To ensure the cleanliness of ice, change the water in the water reservoir at least once per day. If you do not plan on using the Ice Maker for a long time, then completely drain the water from the unit.
5. If the unit stops working due to water shortage, 'ice full' or interrupted power supply, it will remain off for 3mins and will resume after 3 minutes has passed.
6. Always use fresh water before starting any ice making.

TROUBLESHOOTING

1. **PLEASE NOTE:** If a power failure occurs due to disconnection of the power cord, or the off power button has been pushed during an ice making cycle, small ice chips may form and lodge in the automatic shovel causing it to jam. If this occurs, the ice chips must be removed by disconnecting the power cord and gently pushing the shovel to the rear of the cabinet and removing the ice chips, then restarting.
2. Please check if the water reservoir is flat when the ice shovel cannot move the ice to ice basket. If not, please push the ice shovel gently with your hands, then press the POWER button to restart.

PROBLEM	POSSIBLE CAUSE	SUGGESTED SOLUTIONS
The compressor works abnormally with a buzzing noise.	The voltage is lower than recommended.	Stop the Ice maker and do not restart until the voltage is as indicated on the rating plate.
Water shortage indicator light is on.	1. There is no water 2. The pump is full of air	1. Add water until it reaches MAX fill line. 2. Press POWER button to restart.
Indicator lights are not on.	Blown fuse / no power	Replace fuse / Turn power on.
The ice made is too large with pieces sticking together.	1. water temperature is too low 2. Ice from previous cycle was left in the water tray.	1. Select small size. 2. Remove ice after each cycle.
All indicators twinkle simultaneously.	Water tray is blocked by an ice cube.	Switch the unit off and unplug the power cord. Remove the ice which is blocking the tray. Once removed plug the power cord in and press the POWER button. The machine will start 3mins later.

PLEASE NOTE

- Fill with drinkable water only.
- It is normal for the compressor and condenser surface to reach temperatures between 70- 90°C during operation, so surrounding areas may be very hot.
- Due to fast freezing, ice cubes may appear “Cloudy”. This is air trapped in the water and will not affect the quality or taste of the ice.
- Do not immerse the appliance in water.

SPECIFICATIONS

Model Number: HIM12	
Ice Sizes: Small & Large	Daily Ice Output: 12kg / 24 hours
Refrigerant: R134a	Ice Storage Capacity: 600g
Voltage: 220-240V	Water Reservoir Capacity: 2.1L
Power Consumption: 120W	Frequency: 50Hz
Packing Dimensions: W334 x D468 x H390mm	Unit Dimensions: W248 x D372 x H315mm
Gross Weight: 13.95Kg	Net Weight: 12.2Kg

DISPOSAL

When your appliance reaches the end of its working life, care must be taken when disposing of this Ice Maker in order to avoid a hazard. When disposing of the Ice Maker, cut off the plug so that it will render the unit unusable to avoid electrical shock. Also contact your local council for instructions on how to safely dispose of the compressor and refrigerant.

CUSTOMER SERVICE

Australian Customer Service

GAF Control (Sales) Pty Ltd

P.O Box 19

Altona North Victoria 3025

Phone: 1300 659 489

Hours: 9am-5pm (EST) Mon-Fri

www.gafcontrol.com.au

*This product may vary slightly to the product illustrated due to ongoing product development.