

HELLER

6.6L Stainless Steel Urn

User Manual

Model Number: HU66



READ AND SAVE THESE INSTRUCTIONS

Read and follow the instructions in this user manual even if you feel you are familiar with the product, and find a place to keep it handy for future reference.

For your convenience record the complete model number (located on the product identification plate) and the date you received the product, together with your purchase receipt and attach to the warranty and service information. Retain in the event that warranty service is required.

NOTE: The rating of this product (as marked on the product identification plate) is based on specific loading tests. Normal use or the use of other recommended attachments may draw significantly less power.

IMPORTANT SAFEGUARDS

When using any electrically powered product, basic safety precautions should always be followed, including the following:

PLEASE READ ALL INSTRUCTIONS CAREFULLY BEFORE USING THIS PRODUCT

WARNING: To reduce the risk of burns, electric shock, fire, injury to persons or property:

- Carefully read all instructions before operating your new product for the first time and save for future reference.
- Remove and safely discard any packaging material and promotional labels before using the Urn for the first time.
- To eliminate a choking hazard for young children, remove and safely discard the protective cover fitted to the plug of this appliance.
- This urn is designed specifically for the purpose of boiling drinking quality water only. Under no circumstances should this urn be used to boil any other liquids or foodstuffs.
- Do not place the Urn near the edge of a bench or table during operation. Ensure the power cord does not hang over the edge of the bench or table, touch hot surfaces or become knotted.
- Do not place the Urn on or near a hot gas or electric burner, or where it could touch a heated oven. Do not use the Urn on a sink or drain board.
- Ensure the Urn is placed at least 20cm from walls, curtains and other heat sensitive and flammable materials. Always operate the Urn on a flat, even, dry, heat resistant surface.
- This Urn is not intended to be operated by means of an external timer or separate remote control system.
- During operation, the outer surface will become hot, avoid touching the metal parts.
- Ensure the urn is always properly assembled before use.
- Do not attempt to move the urn while it is full or in use.
- Do not place anything on top of the lid.
- Do not open the lid during operation.
- Use caution when using the urn, as boiling water and steam will scald. Avoid pouring the water too quickly.
- Steam may escape from the top of the urn; care should be taken at all times.
- Do not fill the Urn past the MAX water fill line.
- This appliance is not intended for use by persons (including children) with reduced physical, sensory or mental capabilities, or lack of experience and knowledge, unless they have been given supervision or instruction concerning use of the appliance by a person responsible for their safety.
- Children should be supervised to ensure they do not play with the appliance.
- This appliance is for household use only. Do not use this appliance for anything other than its intended use. Do not use in moving vehicles or boats. Do not use outdoors. Misuse may cause injury.
- The installation of a residual current device (safety switch) is recommended to provide additional safety protection when using electrical appliances. It is advisable that a safety switch with a rated residual

operating current not exceeding 30mA be installed in the electrical circuit supplying the appliance. See your electrician for professional advice.

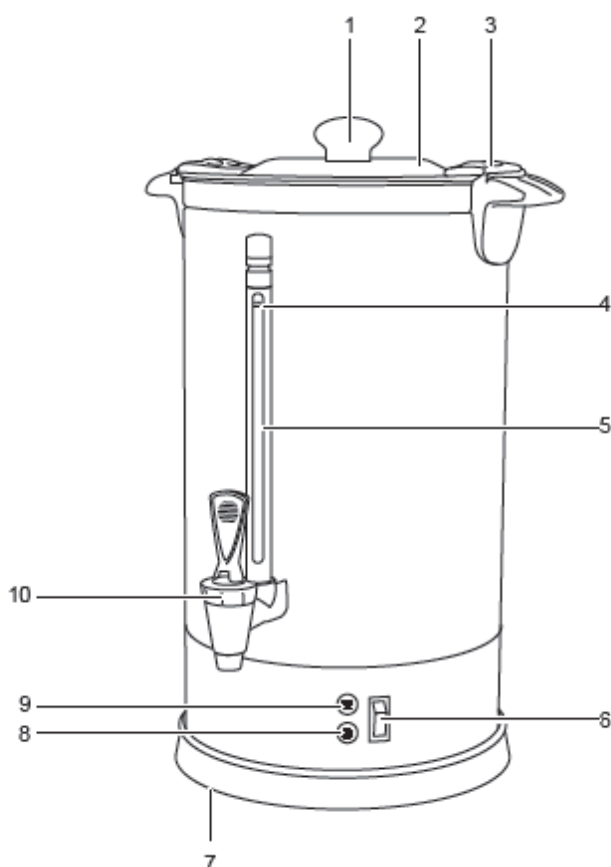
- This appliance contains no user serviceable parts. Any maintenance other than cleaning should be performed by a qualified person.
- Do not immerse unit, power plug or power cord in water, or any other liquid.
- Never operate any appliance with a damaged power cord or plug, should the appliance malfunction, or if it has been damaged in any manner.
- Do not leave the appliance unattended whilst it is on.
- Before cleaning, always turn the appliance off, switch off at the power outlet, and unplug at the power outlet. Allow the appliance to cool completely before undertaking any cleaning.
- Do not allow cold water to sit in the urn for more than 2 days, as it could stagnate, which is very unhygienic. Empty the water out and refill the urn if water has been sitting in the urn for more than 2 days.

DO NOT POSITION THE URN SO THAT THE TAP HANGS OVER THE COUNTER EDGE. IT IS NOT DESIGNED TO BE USED THIS WAY AND COULD LEAD TO SERIOUS SCALDS SHOULD THE TAP BE SWITCHED ON BY MISTAKE.

POWER SUPPLY

- If the unit uses a mains power supply, ensure that the plug is securely inserted into the mains socket and it is easily accessible.
- Protect the power lead from sharp objects, excessive heat and damp or wet locations.
- Check the power lead periodically, and replace if damaged.
- Check that the voltage on the rating plate of your product corresponds with your local electricity supply which must be A.C. (Alternating Current).
- Any repairs should only be carried out by a fully qualified electrician or an authorised service agent.
- If the supply cord is damaged, it must be replaced by the manufacturer, its service agent or similarly qualified persons in order to avoid a hazard.

FEATURES



1. Lid knob
2. Lid
3. Cool touch handles
4. MAX fill line
5. Water gauge
6. On/Off switch
7. Reset button
8. Hot indicator light
9. Heating indicator light
10. Tap

BEFORE FIRST USE

- Carefully remove your Urn from the box and remove any packaging materials.
- Fully unwind the power cord.
- Fill to 'Max' fill line, boil, discard the water and then rinse. Do this three times, to remove any dust, residues etc from the Urn.

INSTRUCTIONS

1. Remove the lid and fill the urn with the desired amount of water taking care not to fill past the MAX fill line. Avoid under filling the urn as this will cause the overheat protection system to operate and could reduce the life of the element.
2. Replace the lid and ensure that it locks into place.
3. Connect the urn to a suitable 240V AC 10 Amp mains supply turn on the ON/OFF switch and the urn will begin to boil.
4. To pour hot water, place a cup below the non-drip tap and push the tap down. For continuous pouring, lift the tap up until it is in a vertical position.
5. After use and before cleaning switch the appliance 'Off' and turn the power supply off.

NOTE: The urn is not designed to constantly boil water. This would fill the room with steam. It is designed to heat water and maintain a temperature that is ideal for hot beverages such as tea or coffee.

NOTE: Do not open the lid when the urn is in operation as steam may escape from the top of the urn.

TIP: When filling cups etc with hot water, hold them as close to the tap as possible to avoid hot splashes.

SAFETY CUT OUT: The Urn features a boil dry protection system, which will switch off the element if the water level is too low. To reset the safety cut out, switch off and unplug the urn and allow it to cool. Empty out the water and press the RESET button underneath of the urn. Refill with cold water and switch the urn back on again.

CARE & CLEANING

ALWAYS LET THE URN AND WATER COOL BEFORE CLEANING.

Always unplug the appliance before you clean it. The outside of the urn can be cleaned with a moist cloth and a small amount of detergent. If you need to use detergent solution for the inside of the urn please rinse thoroughly before use. Never use scouring pads, abrasive cleaning agents or aggressive liquids such as bleach to clean the appliance. Never immerse the Urn or its base in water. Dry the urn with kitchen towel or similar after cleaning.

DESCALING

Excessive lime scale build-up can cause the element to overheat and can even cause the tap to malfunction! Make regular checks of the inside of the urn for signs of lime scale. It is essential that lime scale deposits be cleaned using proprietary Descaling tablets, powders or liquids (available from most supermarkets). Those in hard water areas may need to descale the urn every week. Those in soft water areas won't need to descale the urn quite as often.

For a heavily scaled urn use approximately **FOUR TIMES** the amount of Descaling product required for a kettle. Repeat if necessary.

CUSTOMER SERVICE

Australian Customer Service

GAF Control (Sales) Pty Ltd

P.O Box 19

Altona North Victoria 3025

Phone: 1300 659 489

Hours: 9am-5pm (EST) Mon-Fri

www.gafcontrol.com.au

*This product may vary slightly to the product illustrated due to ongoing product development.