

HELLER

Stainless Steel Milk Frother

User Manual

Model Number: MF3



READ AND SAVE THESE INSTRUCTIONS

IMPORTANT

Read and follow the instructions in this user manual even if you feel you are familiar with the product, and find a place to keep it handy for future reference.

For your convenience record the complete model number (located on the product identification plate) and the date you received the product, together with your purchase receipt and attach to the warranty and service information. Retain in the event that warranty service is required.

NOTE: The rating of this product (as marked on the product identification plate) is based on specific loading tests. Normal use or the use of other recommended attachments may draw significantly less power.

IMPORTANT SAFEGUARDS

When using any electrically powered product, basic safety precautions should always be followed, including the following:

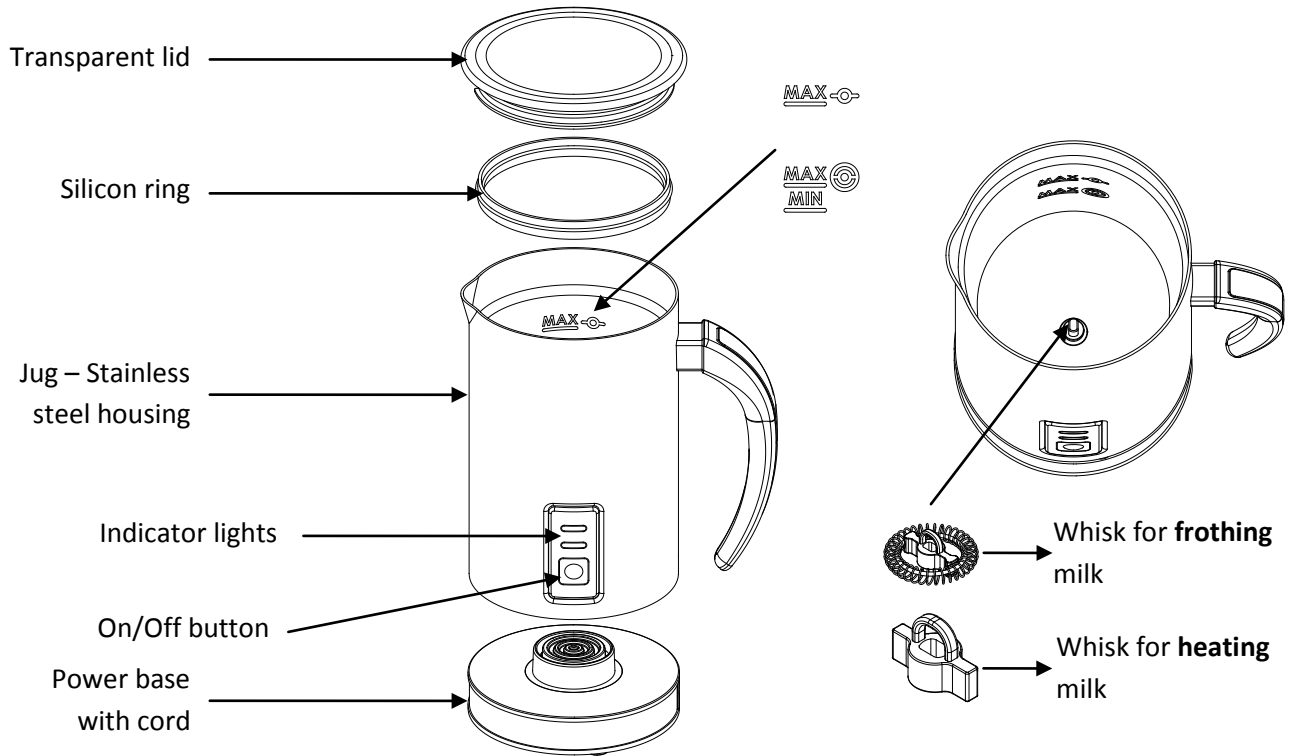
PLEASE READ ALL INSTRUCTIONS CAREFULLY BEFORE USING THIS PRODUCT

WARNING! - to reduce the risk of fire, electrical shock or injury to persons or property:

- Carefully read all instructions before operating your new product for the first time and save for future reference.
- Remove and safely discard any packaging material and promotional labels before using the Milk Frother for the first time.
- To eliminate a choking hazard for young children, remove and safely discard the protective cover fitted to the plug of this appliance.
- Ensure the Milk Frother is properly assembled before use. Follow the instructions provided in this manual.
- Do not place the Milk Frother near the edge of a bench or table during operation. Ensure the power cord does not hang over the edge of the bench or table, touch hot surfaces or become knotted.
- Do not place the Milk Frother on or near a hot gas or electric burner, or where it could touch a heated oven.
- This Milk Frother is not intended to be operated by means of an external timer or separate remote control system.
- Do not operate on a sink or drain board or polished wood surfaces.
- Ensure the appliance is operated on a clean, dry and level surface.
- This Milk Frother has been designed to heat and froth dairy milk and other milk alternatives. It is not intended to thicken or heat other food substances like cream, custard, gravies etc.
- This appliance is not designed for commercial or industrial use.
- Use caution when pouring warmed milk from the Milk Frother as hot milk can scald.
- Do not operate the appliance without liquid. Always fill to at least the 'Min' mark and never fill past the 'Max' mark.
- This appliance is not intended for use by persons (including children) with reduced physical, sensory or mental capabilities, or lack of experience and knowledge, unless they have been given supervision or instruction concerning use of the appliance by a person responsible for their safety.
- Children should be supervised to ensure they do not play with the appliance.
- This appliance is for household use only. Do not use this appliance for anything other than its intended use. Do not use in moving vehicles or boats. Do not use outdoors. Misuse may cause injury.
- The installation of a residual current device (safety switch) is recommended to provide additional safety protection when using electrical appliances. It is advisable that a safety switch with a rated residual operating current not exceeding 30mA be installed in the electrical circuit supplying the appliance. See your electrician for professional advice.
- This appliance contains no user serviceable parts. Any maintenance other than cleaning should be performed by a qualified person.

- Do not immerse unit, power plug or power cord in water, or any other liquid.
- Never operate any appliance with a damaged power cord or plug, should the appliance malfunction, or if it has been damaged in any manner.
- Do not leave the appliance unattended whilst it is on.

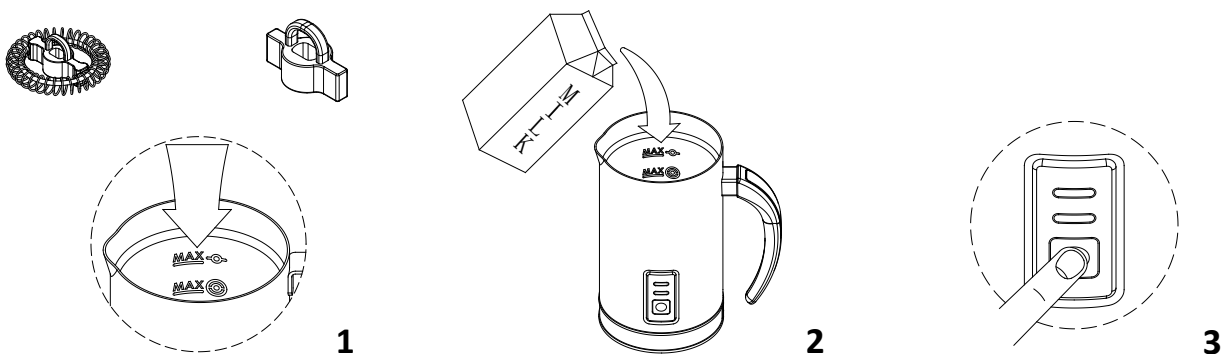
FEATURES




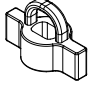
BEFORE FIRST USE

- Carefully remove your Milk Frother from the box and remove any packaging materials.
- Clean the jug and accessories, as described in this manual, before first use.
- Fully unwind the power cord.

INSTRUCTIONS



1. Place the Milk Frother on a flat, level surface. Choose the appropriate whisk, and insert it firmly onto the shaft at the base of the jug.
2. Pour the milk into the jug according to the max & min mark inside the jug. Max capacity chart is below for your reference.
3. Place the lid firmly onto the jug, then press the button to turn on.

Whisk	Function	Max capacity	Time (approx)
	Frothing Cold Milk	115ml	65 seconds
	Frothing & Heating	115ml	80-90 seconds
	Heating (a small amount of froth)	240ml	130-140 seconds

1. Frothing & Heating Milk / Heating Milk: Press the On/Off button to start. The blue and red indicator lights will illuminate to show that the unit is in operation. The blue light will turn off after the cycle has finished. The red light will start to flash for 30 seconds.
2. Frothing Cold Milk: Press the On/Off button once to start. Both indicator lights will illuminate to show the unit is in operation. Press and hold the On/Off button for a further 1-2 seconds to switch cycles; only the blue light will remain on.
The blue light will turn off after the cycle has finished. The red light will illuminate and start to flash for 30 seconds.

HANDY HINTS

- Always use the Milk Frother first to froth/heat your milk. While it is operating, prepare your coffee or hot chocolate.
- Use whole milk for best results – fat content >3.0%
- Milk heats to approximately 65+/-5°C. This is the ideal temperature, as it ensures the flavour of the coffee is not impaired, and it also means you do not have to wait as long to drink your coffee.
- Keep the whisks in a safe place, because they are small they can be easily misplaced.
- After each froth/heat wait 2 minutes to allow the thermostat to rest. After 2 minutes the Milk Frother can be used again. To shorten this time, rinse with cold water and wipe dry after each use.
- This Milk Frother is design to heat plain milk only.

RECIPES

Frothed Milk

Cappuccino

1/3 espresso
Add 2/3 frothed milk
Top with cocoa powder

Latte Macchiato

Pour frothed milk in a tall glass
Add espresso carefully along the rim of the glass

Instant Frothy Coffee

Make an instant coffee
Add frothed milk

Hot Milk

Café Latte

1/3 espresso shot
Add 2/3 heated milk and stir

Hot Chocolate

Pour heated milk into a large mug
Add chocolate powder and stir to mix
Top with marshmallows if desired

Instant Milky Coffee

Place instant coffee in a cup/mug
Add hot milk and stir to mix

CLEANING

1. Before commencing any cleaning, turn the power off at the outlet and remove the power plug.
2. Remove the jug from the power base.
3. Separate the lid and the silicon ring from the jug.
4. Flush and clean the jug with warm soapy water. This should be done immediately after each use.
5. Rinse the lid and silicon ring in warm water. Wash in soapy water if necessary.
6. Clean the jug body with a soft damp cloth. NEVER use harsh cleaning agents or abrasive materials.
7. Wash the whisks in warm soapy water and dry thoroughly. Store in a safe place.

NOTE: The Milk Frother or any of its accessories are **NOT** dishwasher safe.

TROUBLESHOOTING

Item	Issue	Reason	Solution
1	Indicator light doesn't work / jug doesn't work	Plug is not inserted properly.	Re-insert plug.
		Jug isn't connected to power base properly.	Remove jug and replace correctly.
		No power in the jack.	Check the electric circuit.
		Problem with components.	Repair/replace.*
2	Jug doesn't work after operation	Jug temperature is too high.	Rinse cold water inside the jug to reduce temperature.
		Jug is damaged from immersion in water.	Repair/replace.*
3	Motor doesn't work	Jug wasn't cleaned after use – milk can lock the mechanism.	Clean and move the shaft sleeve of motor by hand to loosen it.
		Motor damage.	Repair/replace.*
4	Not heating	Machine is damaged.	Repair/replace.*
5	Charring	Dosage of milk either too little or too much.	Ensure the milk is over the minimum mark, and not past the maximum mark.
		Jug was reused without cleaning/rinsing.	Always clean after each use.
		Actual voltage is much lower than specified voltage.	Ensure you use the appropriate voltage.

*Please refer to your warranty card in regards to repair/replacement information.

CUSTOMER SERVICE

Australian Customer Service

GAF Control (Sales) Pty Ltd

P.O Box 19

Altona North Victoria 3025

Phone: 1300 659 489

Hours: 9am-5pm (EST) Mon-Fri

www.gafcontrol.com.au

*This product may vary slightly to the product illustrated due to ongoing product development.