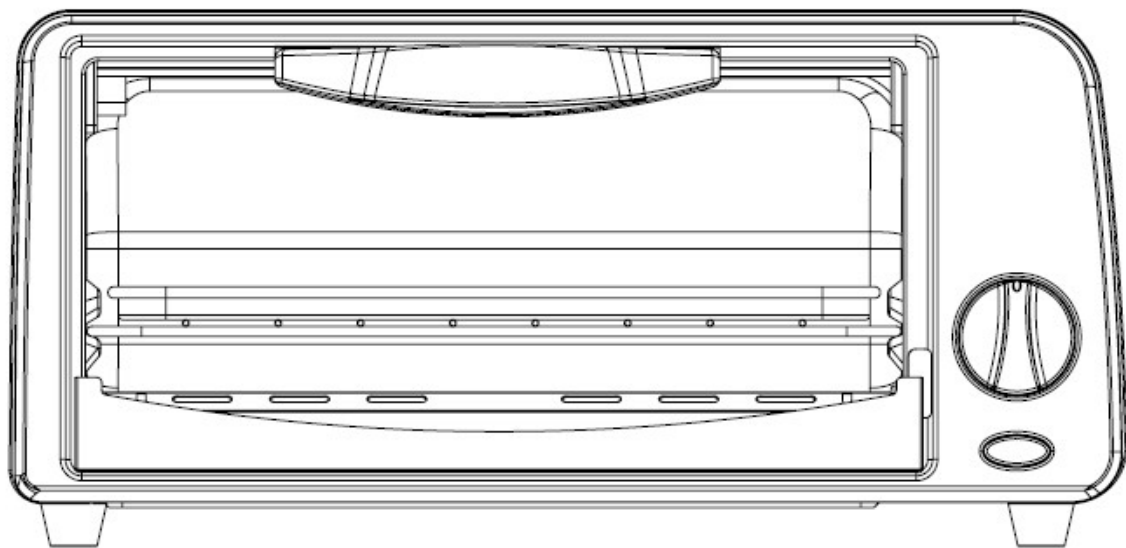


Tiffany

6L Toaster Oven

USER MANUAL

Model Number: OVT6



READ AND SAVE THESE INSTRUCTIONS

Read and follow the instructions in this user manual even if you feel you are familiar with the product, and find a place to keep it handy for future reference.

For your convenience record the complete model number (located on the product identification plate) and the date you received the product, together with your purchase receipt and attach to the warranty and service information. Retain in the event that warranty service is required.

NOTE: The rating of this product (as marked on the product identification plate) is based on specific loading tests. Normal use or the use of other recommended attachments may draw significantly less power.

IMPORTANT SAFEGUARDS

When using any electrically powered product, basic safety precautions should always be followed, including the following:

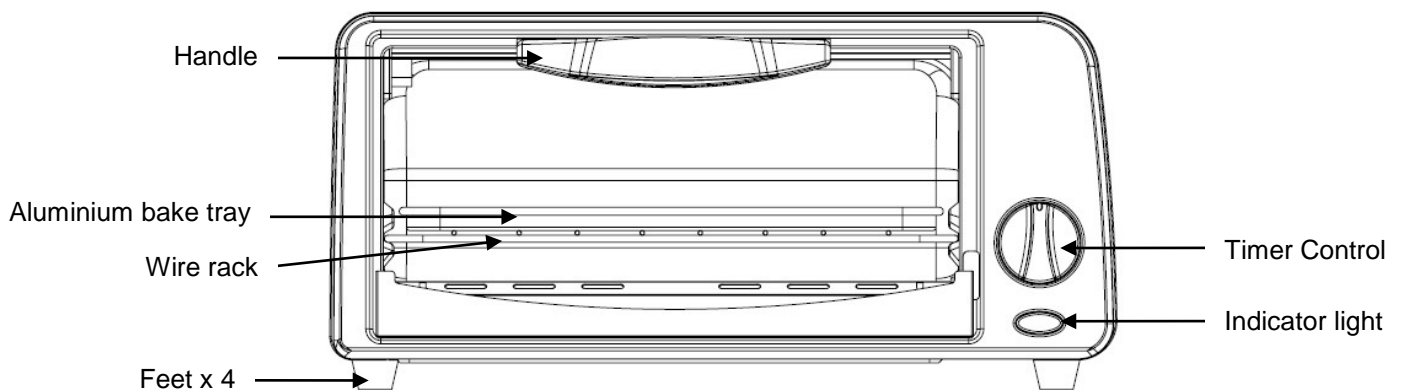
PLEASE READ ALL INSTRUCTIONS CAREFULLY BEFORE USING THIS PRODUCT

WARNING!: - to reduce the risk of fire, electrical shock or injury to persons or property:

- Always operate the product from a power source of the same voltage, frequency and rating as indicated on the product identification plate.
- Close supervision is necessary when the product is used by or near children or infirm persons. Do not allow children to use it as a toy.
- Do not operate this product with a damaged cord or plug, or after the product malfunctions, or appears damaged in any way.
- This appliance is intended to be used in household and similar applications such as:
 - staff kitchen areas in shops, offices and other working environments;
 - farm houses;
 - by clients in hotels, motels and other residential type environments;
 - bed and breakfast type environments.
- Do not touch hot surfaces. Always use the handles or knobs.
- Close supervision is necessary when any appliance is used by or near children.
- For protection against electric shock, do not immerse the cord, plug or any parts of the oven in water or any other liquids.
- Do not let the cord hang over the edge of table or counter, or touch hot surfaces.
- The use of accessory attachments not recommended by the appliance manufacturer may cause hazard or injury.
- Do not place on, or near a hot gas or electric burner.
- When operating the oven, keep at least four inches of free space on all sides of the oven to allow for adequate air circulation.
- Unplug from the power outlet when not in use and before cleaning. Allow to cool completely before putting on or removing parts, and before cleaning.
- To disconnect, turn the time control to OFF, then remove the plug. Always hold the plug, and never pull on the cord.
- Extreme caution must be used when moving a drip pan containing hot oil or other hot liquids.
- Do not cover the crumb tray or any part of the oven with metal foil. This may cause the oven to overheat.
- Use extreme caution when removing the tray, racks or disposing of hot grease or other hot liquids.

- Do not clean the inside of the oven with metal scouring pads, pieces can break off the pad and touch electrical parts, creating a risk of electric shock.
- Oversized foods or metal utensils must not be inserted in the toaster oven as they may create a fire or risk of electric shock.
- A fire may occur if the oven is covered or touching flammable material, including the curtains, draperies, walls, etc, when in operation. Do not store any item on top of the appliance when in operation.
- Extreme caution should be exercised when using cooking or baking containers constructed of anything other than metal or ovenproof glass.
- Be sure that nothing touches the top or bottom elements of the oven.
- Do not place any of the following materials in the oven: cardboard, plastic, paper, or anything similar.
- Do not store any materials other than the manufacturer's recommended accessories in this oven when not in use.
- Always wear protective, insulated oven gloves when inserting or removing items from the hot oven.
- This appliance has a tempered, safety glass door. The glass is stronger than ordinary glass and more resistant to breakage. Tempered glass can still break around the edges. Avoid scratching the door surface or nicking the edges.
- This appliance is OFF when the Timer Control button is in the "OFF" position.
- Not suitable for use outdoors.
- Do not use the appliance other than for its intended purpose.

PARTS AND FEATURES



BEFORE FIRST USE

Before using your Appliance for the first time be sure to:

1. Read all of the instructions included in this manual.
2. Make sure that the oven is unplugged and the 'Timer Control' is in the 'Off' position.
3. Wash all of the accessories in warm, soapy water.
4. Thoroughly dry all accessories and re-assemble in the oven, plug oven into a power outlet and you are ready to use your new appliance.

Please Note: After re-assembling your appliance, it is recommended that you run it for approximately 15 minutes to eliminate any packing residue that may remain after shipping. This will remove any traces of odours initially present. A slight smell and smoke may result, which is completely normal and harmless and should disappear after 15 minutes.

USING YOUR NEW APPLIANCE

1. Place the food to be cooked on either the baking tray or wire rack.
2. Turn the timer control to set the desired cooking time (max 15 minutes).
3. The timer sounds a bell signal at the end of the programmed time.

WARNING: TO AVOID RISK OF INJURY AND BURNS, DO NOT TOUCH HOT SURFACES WHEN THE OVEN IS IN USE. ALWAYS USE OVEN MITTS.

CAUTION: ALWAYS USE EXTREME CARE WHEN REMOVING THE BAKE TRAY, WIRE RACK OR ANY HOT CONTAINER FROM THE HOT OVEN. ALWAYS USE OVEN MITTS WHEN REMOVING HOT ITEMS FROM THE OVEN.

CARE AND CLEANING

WARNING: BE SURE TO UNPLUG THE OVEN AND ALLOW IT TO COOL BEFORE CLEANING

- Wipe the inside walls of the oven with a damp sponge or cloth with mild detergent. DO NOT USE STEEL WOOL SCOURING PADS, ABRASIVE CLEANERS, OR SCRAPE THE WALLS WITH METAL UTENSILS, AS ALL OF THESE METHODS MAY DAMAGE THE COATING.
- All accessories should be cleaned in hot soapy water or alternatively they can be cleaned in the dishwasher. Wipe the door with a clean damp sponge and dry with a soft cloth. Clean the outside of the Appliance with a soft cloth. DO NOT USE AN ABRASIVE CLEANER AS IT WILL DAMAGE THE EXTERIOR FINISH.
- DO NOT USE AN ABRASIVE CLEANER OR STEEL WOOL ON THE BAKE TRAY AS IT WILL DAMAGE IT. LET ALL PARTS DRY THOROUGHLY BEFORE USING THE OVEN.

GAF Control (Sales) Pty Ltd

441 Kororoit Creek Road (Po Box 19)

Altona, Victoria, 3018

Tel: 1300 659 489

READ AND SAVE THESE INSTRUCTIONS