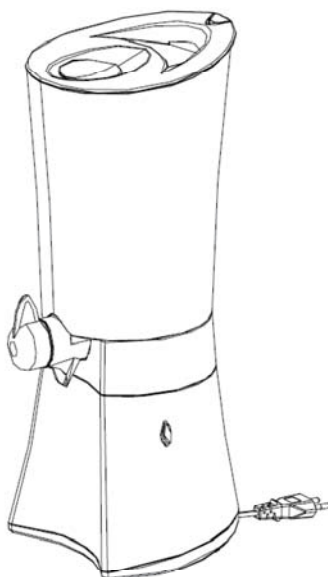


PRODUCT USE, CARE AND SERVICE
INSTRUCTIONS

Tiffany

Icy Creations



Model: SM710



READ AND SAVE THESE INSTRUCTIONS

BEFORE FIRST USE

Read and follow all the instructions in this Instruction Book even if you feel you are familiar with the product, and find a place to keep it handy for future reference.

Please make particular reference to the sections 'IMPORTANT SAFEGUARDS', 'FOR YOUR SAFETY' and 'SERVICE'.

For your convenience, make a record of the complete model number (located on the product identification plate) and the date you received the product, together with your purchase receipt and attach to the warranty and service information. Retain in the event that warranty service is required.

NOTE: The rating of this product (as marked on the product identification plate) is based on specific loading tests. Normal use or the use of other recommended attachments may draw significantly less power.

IMPORTANT SAFEGUARDS

When using any electrically powered product, basic safety precautions should always be followed, including the following:

PLEASE READ ALL INSTRUCTIONS CAREFULLY BEFORE USING THE PRODUCT.

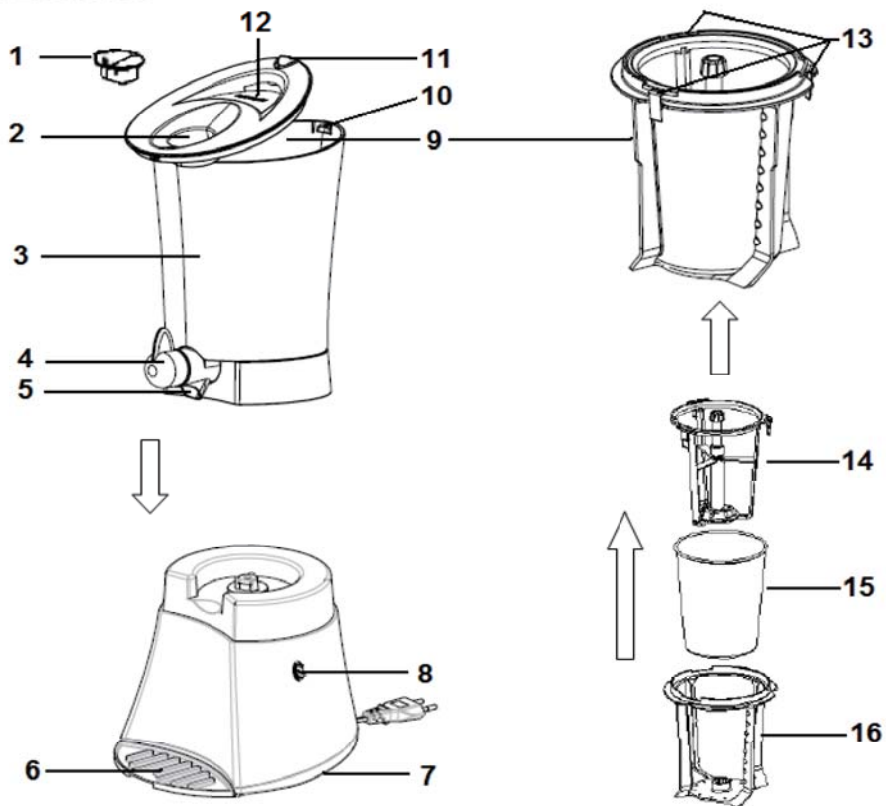
WARNING - to reduce the risk of fire, electrical shock or injury to persons or property:

- Always operate the product from a power source of the same voltage, frequency and rating as indicated on the product identification plate.
- This appliance is not intended for use by persons (including children) with reduced physical, sensory or mental capabilities, or lack of experience and knowledge, unless they have been given supervision or instruction concerning use of the appliance by a person responsible for their safety.
- Children should be supervised to ensure that they do not play with the appliance.
- Do not operate any product with a damaged cord or plug, or after the product malfunctions, or is dropped or appears damaged in any way. Return the complete product to the place of purchase for inspection, repair or replacement.
- Do not twist, kink or wrap the power cord around the appliance, as this may cause the insulation to weaken and split, particularly where it enters the unit.
- To reduce the risk of electric shock, do not immerse or expose the product or flexible cord to rain, moisture or any liquid other than those necessary for correct operation of the product.
- This product should not be used in the immediate vicinity of water, such as bathtub, washbowls, swimming pool etc. where the likelihood of immersion or splashing could occur.
- Do not use the product outdoors, or expose to rain or moisture.
- Do not use your appliance with an extension cord unless this cord has been checked and tested by a qualified technician or service person.
- Do not immerse the motor base in any liquid.
- Do not operate or place any part of this product on or near any hot surfaces (such as a gas or electric burner or hotplate or in a heated oven).
- Switch off and unplug from outlet when not in use, before assembling or disassembling parts and before cleaning. Remove by grasping the plug - do not pull on the cord.

- Do not let the cord hang over the edge of a table or bench or touch any hot surfaces.
- Do not use the appliance for anything other than its intended use.
- Do not leave the appliance unattended when switched on.
- This product is intended for normal domestic/household use only.

READ AND SAVE THESE INSTRUCTIONS

PARTS LOCATION



1. Ice/salt inlet cap
3. Container
5. Outlet
7. Anti-slip feet
9. Ice canister
11. Cap locking latch
13. Ice canister locking latch
15. Ice chamber

2. Ice/salt inlet
4. Dispensing tap
6. Removable drip tray
8. Power switch
10. Cap locking notch
12. Liquid inlet
14. Ice paddles
16. Paddles

ASSEMBLY INSTRUCTIONS

1. Take all the parts out of the gift box and remove all packing material.
2. Wash the **Container (3)**, **Ice/salt inlet cap (1)**, **Container Lid** and **Ice canister (9)** in warm soapy water, rinse well and dry.

NOTE:

- Release the **Ice canister locking latch (13)** and remove the **Ice paddles (14)** from the **Ice canister (9)**. Then remove the **Ice chamber (15)** from the **Paddles (16)** before washing the components. Reassemble the components in the reverse order after drying.
- Avoid the use of solvents, polish, and abrasive or aerosol cleaners as they may damage surfaces of the product.

CAUTION: DO NOT IMMERSE THE MOTOR BASE IN WATER OR ANY OTHER LIQUID.

3. Place the **Ice canister** into the **Container** and secure the **Container Lid**, ensuring that it sits on the **Container** correctly by placing the rear end of the lid first. Then secure the cap by pressing the front of the lid until it locks into place. Ensure the gear on the top of the **Ice canister** assembly is correctly located in the underside of the lid. Do not force the lid into place as it may be damaged or damage other components.
4. Place the motor base on a level surface and then put the **Container** on it. Please ensure the **Container** sits firmly in place with the **Outlet (5)** over the **Removable drip tray (6)**.

USING YOUR ICY CREATIONS

1. Turn the **Power switch** to "0"—off position and plug the unit into the power outlet.
2. Turn the **Power switch** to "1"—on position and slowly pour the chilled drink mixture into the **Container** through the **Liquid inlet (12)**. You will see the drink mixture being churned by the **Paddles**.

NOTE:

- Do not pour more than 1000ml of drink mixture into **Container**. Do not fill beyond the Max Fill line marked on the **Container**.
 - Use CHILLED soft drinks, fruit juice or drink mixture to make Icy Creations faster.
 - Soft drinks work best in the Icy Creations unit - Diet soft drinks will not work in this unit
3. Remove the **Ice/salt inlet cap** and add ice cubes through the **Ice/salt inlet (2)** to half fill the **Ice canister (9)**. Then use the **Ice/salt inlet** cap as a measuring cup to add one cup of rock salt to the ice.
Note: Coarse sea salt may be substituted for the rock salt.
 4. Add more ice to the **Ice canister** until ice reaches approximately 25mm below the top of the **Ice canister** and add another cup of rock salt.
 5. Pour a small cup of water (approximately 50ml) over the top of the ice and rock salt and put the **Ice/salt inlet cap** back on the lid.
 6. Leave the unit running for 10-15 minutes to make your desired Icy Creation consistency

NOTE: Do not operate the unit for more than 20 minutes. Allow the machine to cool down for at least 10 minutes before making another batch.

7. Check the ice and rock salt mixture through the **Ice/salt inlet** after 5 minutes. If the mixture has melted, add a few more ice blocks and a half cap of rock salt to the **Ice canister**. Do not overfill the canister.
8. When the Icy Creation reaches your desired consistency, turn off the **Power switch**, place a cup under the **Outlet** and GENTLY turn the **Dispensing tap (4)** clockwise to "Pour" position to serve your Icy Creation.
Note: When peaks begin to form adjacent to the **Paddles** in the Icy Creations mixture, it is a good indication that the mixture has reached a good consistency.

CLEANING AND MAINTENANCE:

1. Turn off the **Power switch** and remove the plug from power supply socket.
2. Remove the **Lid** and **Ice canister** and discard any remaining ice and salt.
3. Disassemble the **Ice canister** according to ASSEMBLY INSTRUCTIONS above.
4. Wash the **Container, Ice/salt inlet cap, Lid** and **Ice canister** parts in warm soapy water, rinse well and dry.
5. Wipe the motor base with damp soft cloth and dry.

CAUTION:

- DO NOT IMMERSE THE MOTOR BASE IN WATER OR ANY OTHER LIQUID.
- DO NOT WASH ANY PART IN THE DISHWASHER.

STORAGE

Ensure all parts are washed and thoroughly dried before reassembly. Save the unit in a cool, dry place.

FOR YOUR SAFETY

- Always operate the product in accordance with the above instructions.
- Do not operate the product with a damaged cord or plug, or after malfunctions, or appears damaged in any way. Return the complete product to the place of purchase or the address noted in the warranty card for inspection, repair or replacement.

CAUTION: To reduce the risk of electric shock, do not disassemble the product. No user serviceable parts inside. Refer all servicing to an authorized service facility.

SERVICE

- In some products, the replacement by the user of the flexible cord is not intended. Special tools are required to disassemble the product or replace the power cord. Return the complete product to the place of purchase or the address noted in the warranty card for inspection, repair or replacement.

G.A.F. Control (Sales) Pty. Ltd.,
441 Kororoit Creek Rd,
Altona,
Victoria, 3018
Tel: 1300 659 489

READ AND SAVE THESE INSTRUCTIONS

RECIPES

Breakfast Zing

250ml grapefruit juice;
180ml apple juice;
60ml lemon juice;
2 tablespoons of sugar

Mango Madness

200g pureed mango;
250ml white grape juice;
125ml lemonade;
2 tablespoons of sugar

Mellowed Yellow

375ml of lemon-lime sport soft drink;
125ml of pineapple juice;
2 tablespoons of sugar

O.J.G. Slugger Boost

375ml of grape juice;
125ml of orange juice;
2 tablespoons of sugar

Frozen Apple Cider

500ml of apple cider;
0.25 teaspoons of cinnamon

Old Fashion Lemon Ice

375ml chilled lemonade;
125ml fresh lemon juice
2 tablespoons sugar;
1 teaspoon finely grated lemon rind

Peachy-Keen Smoothie

200g canned peaches;
250ml pineapple juice;
60ml lemon juice;
2 tablespoons sugar

Pine Orange Dream

500ml lemonade;
125ml orange juice;
440g can crushed pineapple;
2 tablespoons sugar

NOTE: Mix the ingredients in a blender and ensure they are well combined before pouring them in the Container

Frozen Daiquiri

1 cup of fresh, sliced strawberries;
310ml of orange juice,
2 tablespoons of sugar;
60ml of light rum

NOTE: Mix the first three ingredients in a blender and ensure the ingredients are well combined before pouring them in the Container. Then add the rum to the mixture in the Container and allow to churn for 2 minutes before drinking.