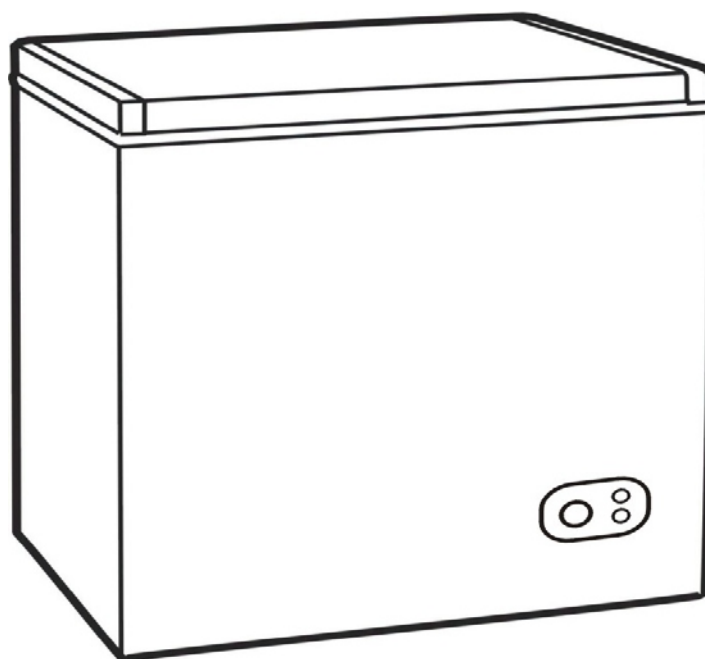


INSTALLATION USE AND CARE MANUAL

HELLER

CHEST FREEZER



MODEL: CFH10/CFH20/CFH55/CFH30



Please read this manual carefully and follow all safety rules and operating instructions before using the appliance.

BEFORE FIRST USE

Read and follow all the instructions in this Installation Use And Care Manual familiar with the product, and find a place to keep it handy for future reference.

Your attention is drawn particularly to the sections concerning IMPORTANT SAFEGUARDS Cleaning and Storage", and SERVICE

For your convenience record the complete model number (located on the product identification plate) and the date you received the product, together with your purchase receipt and attach to the warranty and service information. Retain in the event that warranty service is required.

NOTE: The rating of this product (as marked on the product identification plate) is based on specific loading tests. Normal use or the use of other recommended attachments may draw significantly less power.

IMPORTANT SAFEGUARDS

It is hazardous for anyone other than an Authorised Service Person to service this appliance. In Queensland – the authorized Service Person MUST hold a Gas Work Authorisation for hydrocarbon refrigerants, to carry out Servicing or repairs which involve the removal of covers.

When using any electrically powered product, basic safety precautions should always be followed, including the following:

PLEASE READ ALL INSTRUCTIONS CAREFULLY BEFORE USING THE PRODUCT.

WARNING - to reduce the risk of fire, electrical shock or injury to persons or property:

- Always operate the product from a power source of the same voltage, frequency and rating as indicated on the product identification plate.
- Close supervision is necessary when the product is used by or near children or invalids. Do not allow children to use it as a toy.
- Do not operate any product with a damaged cord or plug, or after the product malfunctions, or is dropped or appears damaged in any way. Return the complete product to the place of purchase for inspection, repair or replacement.
- WARNING:** Improper installation, adjustment, alteration, service or maintenance can cause injury or property damage. Refer to this manual. For assistance or additional information consult a qualified installer, service agency or the gas supplier.
- To reduce the risk of electric shock, do not immerse or expose the product or flexible cord to rain, moisture or any liquid.
- This product should not be used in the immediate vicinity of water, such as bathtub, washbowls, swimming pool etc. where the likelihood of immersion or splashing could occur.
- Never install the unit where it could be subject to:
 - * Heat sources such as radiators, heat registers, stoves or other products that produce heat.
 - * Direct sunlight.
 - * Excessive dust.
 - * Mechanical vibration or shock.
 - * Lack of ventilation, such as bookcase or cabinet.
 - * Uneven surface.
 - * Moisture.

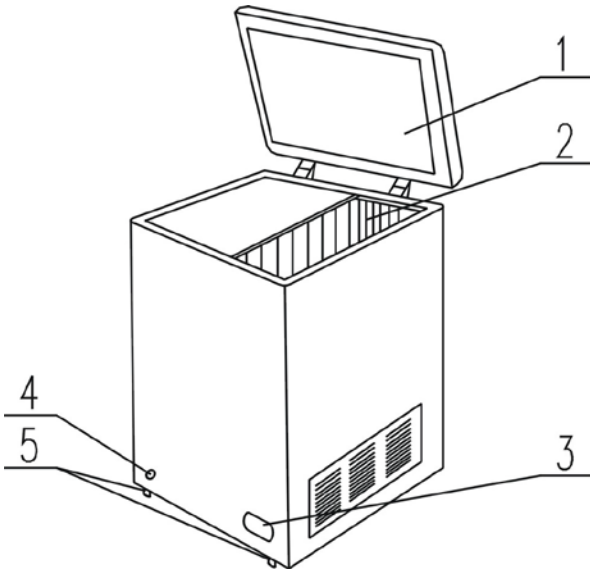
- Switch off and unplug from outlet when not in use, before assembling or disassembling parts and before cleaning. Remove by grasping the plug - do not pull on the cord.
- Do not place objects on the product or allow objects to obstruct the inlet or outlet openings, or operate in close proximity to walls or curtains, etc. The back of the appliance should be close to the wall but leaving the required distance for ventilation as stated in the installation instructions.
- After installation, the appliance should be left for 2 hours before it is switched on in order to allow the refrigerant to settle.
- Always install the freezer on flat and solid surface.
- Do not hang anything on the door in order to avoid the freezer from tilting or goods from dropping.
- Do not store or use gasoline or other flammable vapours and liquids in the vicinity of this or any other appliance.
- Do not extend or fold the power cord, keep the power cord away from compressor, because the compressor will be hot when the unit operates.
- The use of attachments or accessories not recommended or sold by the product distributor may cause personal or property hazards or injuries.
- Do not use the freezer outdoors.
- This product is intended for normal domestic/household use only.

When there is a power failure:

- If you are informed that there will be an interruption to the power, set the thermostat control to 7, the coldest setting to let it operate for 2 to 3 hours before the power interruption and allow the unit to achieve maximum freezing temperature. Ensure the thermostat is returned to the normal position after the power is restored.
- Minimize the number of times the door is opened.
- Dry the baskets before restarting the freezer.

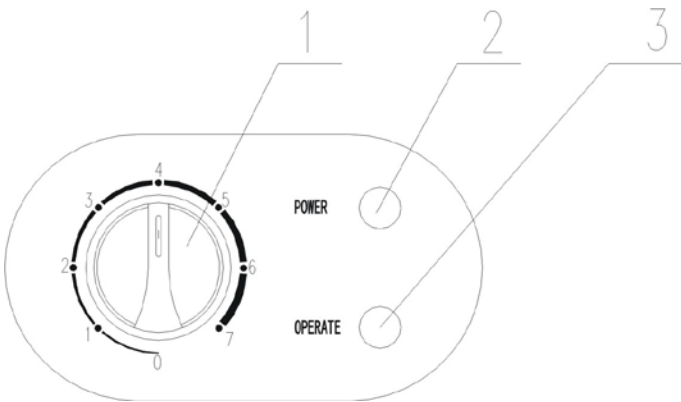
READ AND SAVE THESE INSTRUCTIONS

PARTS LOCATION:



1. Door
2. Basket
3. Control panel
4. Drain hole cap
5. Adjustable levelling legs

CONTROL PANEL



1. Thermostat control knob
2. Power indicator
3. Operation indicator

INSTALLING THE FREEZER



Before using the freezer, remove all the exterior and interior packaging.
To ensure correct operation, this appliance must not be located where the temperature will rise above 38°C.

Good Ventilation

For the purpose of easy dissipation of heat, high efficiency of refrigeration and low power consumption, a space or clearance is required around the refrigerator. The refrigerator must have at least 50mm clearance between the rear of the appliance and the wall, 100mm between the sides and wall, and the space above the top should be at least 50mm. Ensure that there is enough spacing to open the door to 160°.



Ensure that the appliance does not stand on the electrical supply cable. Parts which heat up should not be exposed. Whenever possible, the back of the appliance should be close to a wall but leaving the required distance for ventilation.

Power Supply

- The appliance is suitable for connection to 230-240Vac 50Hz supply. It is advisable to install an individual socket that is separated from other appliances.
- Do not share one socket together with other electrical units such TV set, microwave oven and lamps.
- The main cord of the freezer is fitted with three pins plug and one of the pins is for earthing. It should be plugged into a separate socket which has reliable earthing.

Protection from moisture

Do not locate the freezer in moist place to avoid the metal parts of the appliance from rusting. Do not spray water to the freezer, otherwise this will weaken the insulation and cause electrical hazard.

Stable placing

The freezer must be placed on a flat and solid floor. DO NOT install the appliance directly on carpeting or soft material. Carpeting must be removed or protected by a metal or wood panel beneath the appliance, which extends at least the full width and depth of the appliance.

The appliance should be levelled to eliminate vibration:

Ensure the appliance is upright and 2 adjustable feet are in firm contact with the floor so that the cabinet is level.

Adjust the level by screwing out the 2 appropriate adjustable feet at the front, (use a suitable spanner) .



This appliance is heavy. Care should be taken when moving it.

USING THE APPLIANCE



This appliance is designed for domestic use only, especially for the storage of edible food. This appliance is designed to operate in ambient temperature (surrounding air temperature) no higher than 38°C. If the ambient temperature is warmer than 38°C, the appliance will not operate correctly.

Before Use

- When using the freezer for the first time, remove all securing tapes.
- Clean the refrigerator thoroughly. Wipe the outside with a soft dry cloth, the inside with a damp cloth.
- Keep the door open and insert the power supply cord into the socket.
- Turn the thermostat control knob to 1. Close the door and let the freezer operate.

Note: After installation, the appliance should be left for 2 hours before it is switched on in order to allow the refrigerant to settle

Thermostat Control

The thermostat control knob situated in the control panel regulates the temperature of the freezer compartment.

Position "0" – Stop running.

Position "1-5" – The temperature will be maintained at between -18°C and -36°C.

Position "6"- Continuously running at coldest temperature.

Position "7" – Super fast freeze mode. For food need to be frozen quickly.

Please note that

1. The temperature mentioned above will be affected by:

- Room temperature
- How often the door is opened
- Location of the appliance

2. Super fast freeze mode is for quick freeze only. Do Keep the thermostat control knob at position 7 more than 3 hours. Turn the knob to 1-5 to keep a normal freeze temperature.

In determining the correct temperature control setting, all these factors have to be considered and some experimentation may be necessary.



Do not allow children to tamper with the control knob or play with the product. Do not use detergents, abrasive powders, highly perfumed cleaning products, wax polishes or products containing alcohol.

Starting the Appliance

1. Allow the appliance to stand for 2 hours after installation.
2. Plug in the appliance and switch on at the mains supply.
3. Turn the thermostat control to the desired setting. A midway setting is usually suitable for normal operation (see thermostat control).
4. Leave the appliance for approximately 4 hours for the correct temperature to be reached before placing food inside.

The Freezer Compartment

The freezer will store frozen food at -18°C or colder, allowing for long term frozen food storage and freezing of fresh food. The freezer temperature is controlled automatically by the thermostat situated in the control panel.

Due to the different installations, methods of usage and weather conditions, adjustments to the temperature settings may be required. These are best achieved by placing a thermometer on the food and record the temperature reading. The reading must be taken quickly as the thermometer temperature will rise rapidly after removal.

Freezing Fresh Food

During the freezing process the temperature of fresh food should be reduced quickly so that the ice crystals formed are small as possible to prevent damaging the structure of food. Freeze food as fast as possible to maintain its quality. Rapid freezing prevents undesirable large ice crystals from forming throughout the product because the molecules don't have time to take their positions in the characteristic six-sided snowflake. Slow freezing creates large, disruptive ice crystals. During thawing, they damage the cells and dissolve emulsions. This causes meat to "drip"--lose juiciness. Emulsions such as mayonnaise or cream will separate and appear curdled.



Frozen foods should not be refrozen once it has thawed out.

Do not remove items from the freezer if your hands are damp/wet, as this could cause skin abrasions or "freezer burns".

Frozen Food Storage

The appliance has the following net storage volume: CFH10—100 litres; CFH20—200 litres; CFH55—155 litres.

This is a standard measurement and the actual capacity depends upon the density and sizes of the food.

Your freezer provides long term storage which generally means up to 3 months but the length of the time can vary and it is important to follow the recommended times shown on packets of commercially frozen food.



Do not place sealed containers or carbonated liquids such as fizzy drinks into the freezer as it creates pressure on the container which may cause it to explode resulting to damage to the freezer.

Ice cubes and ice lollies should not be consumed immediately after removal from the freezer as it may result in skin abrasions.

Hints and Tips

- Any opened packets of frozen food, should be rewrapped in airtight materials to prevent surface evaporation which causes freezer burn.
- Frozen food which is allowed to thaw accidentally should either be used immediately or thrown away. Alternately if the food is uncooked and has not been completely defrosted it can be cooked and then refrozen.
- Aim to check dates on packets and rotate food regularly.

Normal Operating Sounds

- You may hear faint gurgling or bubbling sounds when the refrigerant is pumped through the coils or tubing at the rear, to the cooling plate/evaporator on the fixed freezer shelves.
- When the compressor is on, the refrigerant is being pumped around, and you will hear a whirring sound or pulsating noise from the compressor.

- A thermostat controls the compressor, and you will hear a faint 'click' when the thermostat cuts in and out.

Food Storage

- To obtain the best results from your appliance, hot foods should be cooled down and then put them in the chest freezer.
- Avoid buying frozen food if you cannot store it straight away. The use of an insulated container is advisable. When you arrive home, place the frozen food in the freezer immediately.
- Keep the time between buying chilled food and placing it in your freezer as short as possible.
- Do not push food together too much, try to allow air circulate around each item.
- Do not store food uncovered.
- Ensure that food placed in the freezer is dated and labelled and used in date order to ensure that food is consumed at its best.
- Remove suspect food from your freezer and clean, refer to cleaning and maintenance.

Energy Saving Advice

- Do not install the appliance close to sources of heat, such as a cooker, dishwasher or radiator.
- Locate the appliance in a cool and well ventilated room and make sure that the air openings of the cabinet are not obstructed.
- Avoid unnecessary frosting in the cabinet by packing all foodstuffs into airtight packages before placing them in the freezer.
- Always leave warm food to cool down to room temperature before placing it in the freezer.
- Try to avoid keeping the door open for long periods, or opening the door too frequently as warm air will enter the cabinet, as this will lower efficiency of the refrigerator and minimise the work of the compressor.
- Ensure there are no obstructions preventing the door from closing properly.
- It is advisable to clean the refrigeration system periodically at the back of the appliance with a duster or vacuum cleaner.

In the Event of Power Failure

If there is a power failure during the storage of frozen foods, keep the door closed. If the temperature within your freezer should increase, do not refreeze the food without checking its condition.

How to place food

- Do not crowd the freezer with too much food to avoid blocking the airflow, which will increase the energy consumption.
- Use sealed container and plastic preservative bag to prevent food from getting dried or mixed tastes with different kinds of food in the refrigerator.
- Clean the food and packed articles before storage. Sweep out the water if any.
- Hot foods should be cooled down to room temperature before storage otherwise these will affect their preservation and increase the energy consumption.
- Do not place food too close each other and to the surface of the shelves of the freezer.

Notes

- Do not use the freezer to store medical, inflammable and explosive articles.
- It is not recommended to let the freezer remain empty for a long time. If you do so, clean the freezer, open the doors and let it stand upright for several days to allow the moisture to dry out.

CARE AND MAINTENANCE

To keep your chest freezer operating efficiently and safely, periodic inspection and cleaning of several components once a month is recommended.

Cleaning your freezer

- For safety reason, switch off and unplug the appliance from outlet before cleaning. Remove by grasping the plug - do not pull on the cord.
- Wipe the inside and the outside of the freezer with a damp cloth, using lukewarm water.
- If the chest freezer is very dirty, wipe it with a neutral detergent first, then use a clean cloth to dry it.
- Do not use other types of detergents, cleaners, abrasive powder or solvents which may contain chemicals that could damage the lacquer coat and plastic surface of the refrigerator.

Care of Plastic Parts

- Ensure that the rubber door seal is kept clean and free from dirt, grease, etc. Inspect regularly to ensure it is clean.
- If the plastic parts of the chest freezer are contaminated by oil/grease (animal or vegetable) for a long time, they will age more quickly and can become brittle and crack easily. They will also emit bad smell. Therefore, you should get the habit of cleaning it regularly.

Notes

After cleaning the freezer; check the following points:

- Are the power supply cord and the plug broken?
- Is the plug set properly?
- Is the earthing wire loose?
- Is there a block on the drainage outlet?
- Is it properly installed?

To Defrost the Freezer

- For the most efficient operation and minimum energy consumption, defrost the freezer when the frost on the freezer walls excessive or 5mm thick.
- Unplug the freezer. Remove the frozen food from the freezer and place it in a cooler to protect the food.
- Open the door to defrost your freezer.
- Place a suitable container under the drain hole situated in the front of the chest freezer to collect the defrost water.
- Unplug the water drain cap inside the chest freezer first. And then unplug the drain hole cap to drain the water inside the chest freezer.
- After defrosting, clean and dry the interior.
- Switch the appliance on and replace any frozen food.

TROUBLE SHOOTING GUIDE

When there is something wrong with your freezer, check the following points before asking for repair.

PROBLEM

The refrigerator does not operate

Insufficient refrigeration

Sound like running water

The side panels and the front frame heats up.

Condensation forms on the outside of the cabinet.

The refrigerator seems to make too much noise.

In winter, the refrigerator does not operate.

In summer, the refrigerator does not stop.

The door will not close properly

Dew inside the cabinet.

CAUSE

- Not plugged in or plug is not inserted correctly.
- The circuit breaker is tripped or fuse is blown.
- The temperature control knob is set to "0" position.
- There are too many foods in the chest freezer and they are blocking the airflow.
- The refrigerator doors do not close properly.
- Poor ventilation or not enough around the refrigerator.
- The chest freezer is placed under direct sunshine or near heating source.
- It is the sound of the refrigerant flowing. It is not a fault
- It is not a fault of the unit. This is result of heat dissipation from the condensers that are found inside two sides.
- Condensation will form on the outside of the refrigerator if it is operated in moist areas. It is not a fault, just wipe it dry.
- The refrigerator is not level.
- The refrigerator is touching the wall.
- When the room temperature is below 10°C, the compressor will only operate for a short time.
- The thermostat may be set too low.
- There is bad ventilation around the freezer.
- The door is not closed completely.
- The seal does not seal completely.
- The door is opened too often.
- The refrigerator is not level.
- The rubber seal is dirty.
- The baskets are out of position.
- The ambient temperature is high and the door is left open for long time.
- Liquid food is not covered before storage.

FOR YOUR SAFETY

- Always check full chest freezer operation as detailed above before returning the unit as faulty
- It is not advised to loosen any parts which are fixed by screw, contact the manufacturer for advice.
- Do not operate the unit with a damaged cord or plug, or after the unit malfunctions, or is damaged in any manner. Return the complete unit to the place of purchase for in-warranty replacement, or inspection and repair.
- CAUTION: To reduce the risk of electric shock, DO NOT remove the cover (or back) whilst the unit is in operation or connected to the mains supply.
- In some products, the replacement of flexible cords by the user is not intended. Special tools are required to safely replace the cord. Return the complete product for inspection and repair.

DANGER! Never try to repair a faulty – or what is thought to be a faulty machine yourself. This can jeopardize your life or the lives of subsequent users. Leave repairs to electrical equipment to authorized technicians.

WARNING!

- Keep ventilation openings, in the appliance enclosure or in the build-unstructured, clear of obstruction.
- Do not use mechanical devices or other means to accelerate the defrosting process, other than those recommended by the manufacturer.
- Do not use electrical appliances inside the food storage compartments of the appliance, unless they are of the type recommended by manufacturer.

R600a Refrigerant Warning

- This appliance contains a small quantity of R600a refrigerant which is environmentally friendly, but flammable. It does not damage the ozone layer, nor does it increase the greenhouse effect.
- During transportation and installation, ensure that the tubing of the refrigerant circuit is not damaged.
- Leaking refrigerant can ignite and may damage the eyes.
- In the event any damage does occur, avoid exposure to open fires and any device which creates a spark. Disconnect the appliance from the mains power,
- Thoroughly ventilate the room in which the appliance is located for several minutes.
- The room for installing the appliance must be at least 1 cubic metre per 8 grams of refrigerant. The refrigerant quantity contained in this appliance is noted on the Rating Plate of the appliance.
- It is hazardous for anyone other than an Authorised Service Person to service this appliance. In Queensland – the authorized Service Person MUST hold a Gas Work Authorisation for hydrocarbonrefrigerants, to carry out Servicing or repairs which involve the removal of covers.

G.A.F. Control (Sales) Pty. Ltd.,
441 Kororoit Creek Road,
Altona,
Victoria, 3018
1300 659 489

READ AND SAVE THESE INSTRUCTIONS