

# HELLER

Instruction Manual

## 2000W Ceramic Tower Heater with LED Display

Model: CTH5137



READ AND SAVE THESE INSTRUCTIONS

Please read and follow the instructions in this user manual even if you feel you are familiar with the product, and find a place to keep it handy for future reference.

For your convenience record the complete model number (located on the product identification plate) and the date you received the product, together with your purchase receipt and attach to the warranty and service information. Retain in the event that warranty service is required.

NOTE: The rating of this product (as marked on the product identification plate) is based on specific loading tests. Normal use or the use of other recommended attachments may draw significantly less power.

## Important Safeguards

**When using any electrically powered product, basic safety precautions should always be followed, including the following:**

PLEASE READ ALL INSTRUCTIONS CAREFULLY BEFORE USING THIS PRODUCT

WARNING!: - to reduce the risk of fire, electrical shock or injury to persons or property:

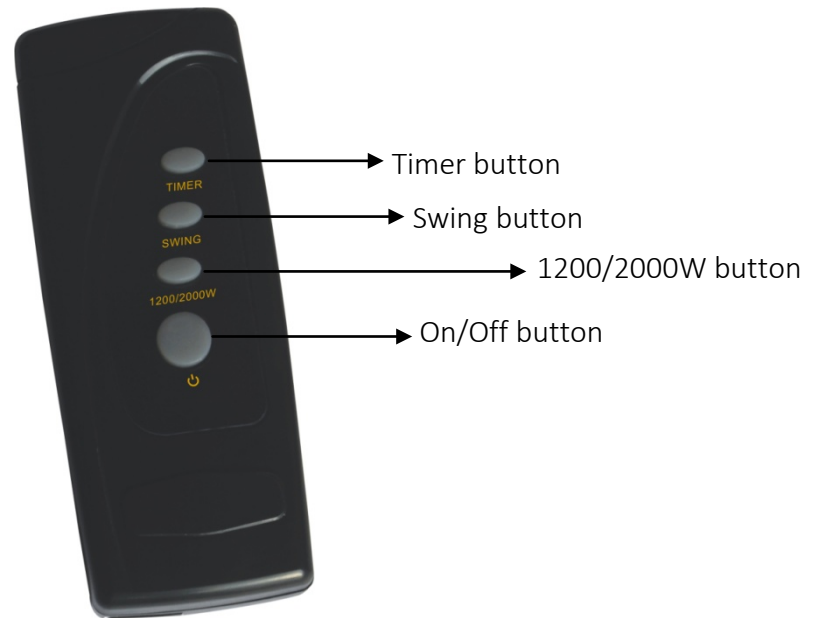
- Carefully read all instructions before operating your new product for the first time and save for future reference.
- WARNING: In order to avoid overheating, do not cover the heater.
- Remove and safely discard any packaging material and promotional labels before using the Heater for the first time.
- To eliminate a choking hazard for young children, remove and safely discard the protective cover fitted to the plug of this appliance.
- Always operate the product from a power source of the same voltage, frequency and rating as indicated on the product identification plate.
- Check that the heater is not damaged and in good condition before operating.
- Close supervision is necessary when the product is used by or near children or infirm persons. Do not allow children to use it as a toy.
- Children should be supervised to ensure they do not play with the appliance.
- Do not operate any product with a damaged cord or plug, or after the product malfunctions, or is dropped or appears damaged in any way. Return the complete product to the place of purchase for inspection, repair or replacement.
- If the supply cord is damaged, it must be replaced by the manufacturer, its service agent or similarly qualified persons in order to avoid a hazard.
- This product should not be used in the immediate vicinity of water, such as bathtub, washbowls, basins, showers or swimming pools, or near any vessels containing liquids where the likelihood of immersion or splashing could occur.
- Avoid touching the heater body whilst the heater is on. If the unit needs to be moved, switch off and allow to cool, and only hold the heater by the handle provided.
- This appliance is not intended for use by persons (including children) with reduced physical, sensory or mental capabilities, or lack of experience and knowledge, unless they have been given supervision or instruction concerning use of the appliance by a person responsible for their safety.
- Always turn the unit off before unplugging the power cord. Ensure your hands are completely dry when touching the unit in order to prevent electric shock.
- Ensure the cord is fully extended before use and arrange it so that it does not come in contact with any part of the heater.
- Do not place the heater on bedding or on thick and long pile carpet where the openings may be blocked.

- Do not use the heater in areas such as garages; where petrol, paint or other flammable substances are used or stored.
- Do not use near or point the heater towards furniture, animals, curtains or other flammable objects. Keep combustible materials such as furniture, bedding and curtains etc at least 1 metre from the front, sides and rear of the heater.
- Do not place the cord under carpet or cover with throw rugs or furniture. Arrange the cord so that it cannot be tripped over.
- Switch off and unplug from the power outlet when not in use, before assembly or disassembling parts and before cleaning. Remove by grasping the plug – do not pull on the cord.
- A common cause of overheating is deposits of fluff and dust entering the heater. Ensure these deposits are removed regularly by unplugging the heater, allowing it to cool and clean as described in the cleaning and maintenance section.
- Ensure that no other high wattage appliances are plugged into the same power outlet as the Heater, as an overload can occur.
- Avoid the use of an extension cord, as the extension cord may overheat and cause a risk of fire.
- Do not use the appliance other than for its intended use.
- Do not use outdoors. FOR INDOOR USE ONLY.
- Do not leave the appliance unattended while switched on.
- Do not place objects on the product or allow objects to obstruct the inlet or outlet openings, or operate in close proximity to walls or curtains, etc. Do not cover the unit when in operation.
- Do not place in bathrooms, laundries or other 'wet areas' otherwise warranty will be voided.
- Do not locate the Heater immediately below a power outlet.
- The use of attachments or accessories not recommended or sold by the manufacturer or sold by the product distributor may cause personal or property hazards or injuries.
- This product is intended for normal domestic/household use only.
- Use this Heater as described in this manual. Any other uses not recommended by the manufacturer, may cause fire, electric shock, or injury to persons and may void the warranty.
- CAUTION: In order to avoid a hazard due to inadvertent resetting of the thermal cut-out, this appliance must not be supplied through an external switching device, such as a timer, or connected to a circuit that is regularly switched on and off by the utility.
- The installation of a residual current device (safety switch) is recommended to provide additional safety protection when using electrical appliances. It is advisable that a safety switch with a rated residual operating current not exceeding 30mA be installed in the electrical circuit supplying the appliance. See your electrician for professional advice.

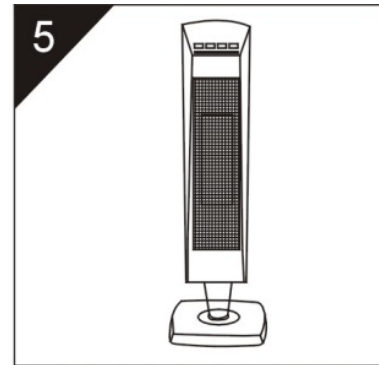
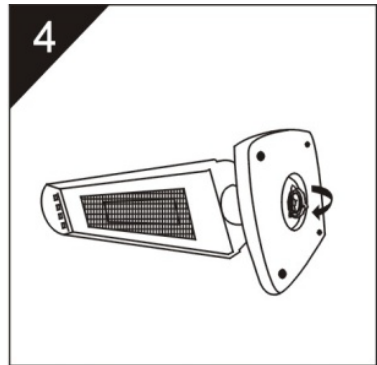
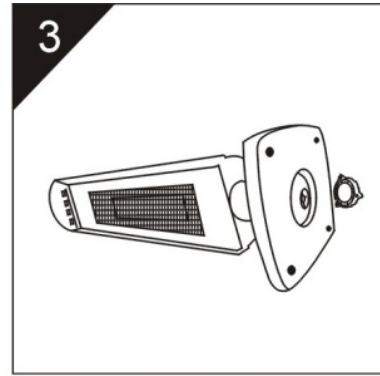
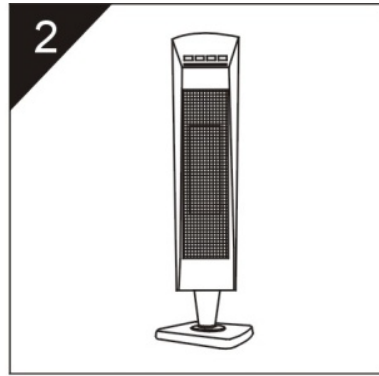
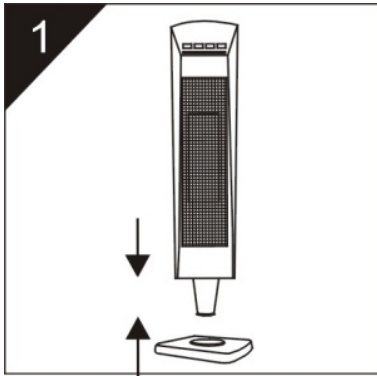
## Positioning the Appliance

This Heater should only be operated a minimum distance of 90cm from walls or any other objects. Position the heater in a way to optimize air flow, avoid placing the heater in corners and small spaces.

# Features



## Assembly Instructions



## Operating Instructions (control panel)

1. Place the heater on a firm level surface.
2. Insert the plug into a suitable power outlet and turn the power supply on.
3. Turn the power switch (located at the back of the heater) 'On'.
4. Turn the heater 'On' by pressing the ON/OFF button on the control panel. The heater will begin to operate in fan mode.
5. Press the MODE button to operate in 2300W (low heat) mode.
6. Press the MODE button again to operation in 2000W (high heat) mode.
7. To turn the heater 'Off' press the ON/OFF button on the control panel. **Please note:** the unit will take approx 60 seconds to stop blowing out air. Turn the switch off at the back of the unit.

**WARNING:** Allow the heater to cool down for 30-60 seconds before switching on again and before turning off at the power outlet. This will protect the inner parts.

### TIMER FUNCTION:

The timer function can be used in any mode. The timer allows you to set the length of time from 0.5-7.5 hours. To use the timer, press the timer button on the control panel. Each press of the button increases the timer by 0.5 hours. The amount of time set will be displayed on the unit, and will count down in 0.5 hours. If the timer has been set for 7.5 hours (MAX amount of time) pressing the button once more will reset the Timer Function.

### OSCILLATION

1. Press the SWING button to turn the oscillation function 'On'.
2. Press the SWING button again to turn the oscillation function 'Off'.

## **OVERHEAT PROTECTION:**

This heater is fitted with a safety overheat protection device. If overheating occurs, ensure the appliance is switched 'Off' and turn off the power supply. Unplug the appliance and let it cool for 30 minutes. If something is obstructing the grille, ensure the object is removed. After 30 minutes has passed, turn the heater on again as described above.

## **TIP OVER SWITCH:**

This Heater will only work on a firm stable surface. If the Heater is not 100% stable and in an upright position (vertical), the unit will switch off until placed in the correct position.

## **Remote Control Instructions**

Remote control requires 2 x AAA batteries (not included).

### **ON/OFF**

1. Turn the heater 'On' by pressing the ON/OFF button on the remote control.
2. Press the ON/OFF button again to turn the heater 'Off'.

### **POWER**

1. Press the 1200/2000W button once for low heat setting (1200W).
2. Press the 1200/2000W twice for high heat setting (2000W).

### **OSCILLATION**

3. Press the SWING button to turn the oscillation function 'On'.
4. Press the SWING button again to turn the oscillation function 'Off'.

### **TIMER**

The timer setting on the remote control works the same as the timer function on the control panel. Please refer to 'Operating Instructions' above.

**WARNING: Do not touch the machine while it is on and ensure the air outlet/inlet is never covered.**

## **Cleaning & Maintenance**

1. Wait for the machine to completely cool down before commencing any cleaning.
2. Always disconnect the appliance from the main power outlet before cleaning.
3. Clean the outside surface of the heater with a damp lint free cloth. Never immerse directly in water!
4. Do not use any detergents/solvents or harsh chemical agents/abrasives to clean the heater
5. Ensure the unit is completely dry and nothing is blocking the air inlet/outlet before powering on.

## Specifications

Model	Description	Voltage	Frequency	Wattage
CTH5137	2000W Ceramic Tower heater with LED Display	220-240V~	50Hz	2000W

## Hints & Tips

1. Do not overheat your home, in winter the temperature of a heated room should be between 18-21°C
2. Choose the right size heater for the room that you wish to heat.
3. Zone off the unoccupied rooms by closing doors and curtains to limit heat loss.
4. Use draft stoppers where possible, to keep the cold air from filtering in under doors.
5. Avoid placing items or sitting too close to the heater for optimal air flow.

## Australian Customer Service

GAF Control (Sales) Pty Ltd

P.O Box 19

Altona North Victoria 3025

Phone: 1300 659 489

Hours: 9am-5pm (EST) Mon-Fri

[www.gafcontrol.com.au](http://www.gafcontrol.com.au)

\*This product may vary slightly to the product illustrated due to ongoing product development.