

HELLER

Instruction Manual

40cm Misting Fan

Model: MIST40B



READ AND SAVE THESE INSTRUCTIONS

Please read and follow the instructions in this user manual even if you feel you are familiar with the product, and find a place to keep it handy for future reference.

For your convenience record the complete model number (located on the product identification plate) and the date you received the product, together with your purchase receipt and attach to the warranty and service information. Retain in the event that warranty service is required.

NOTE: The rating of this product (as marked on the product identification plate) is based on specific loading tests. Normal use or the use of other recommended attachments may draw significantly less power.

Important Safeguards

When using any electrically powered product, basic safety precautions should always be followed, including the following:

PLEASE READ ALL INSTRUCTIONS CAREFULLY BEFORE USING THIS PRODUCT

WARNING!: - to reduce the risk of fire, electrical shock or injury to persons or property:

- Always operate the product from a power source of the same voltage, frequency and rating as indicated on the product identification plate.
- Remove the unit from its packaging and check to make sure it is in good condition before using.
- Do not let children play with parts of the packaging (such as plastic bags).
- Close supervision is necessary when the product is used by or near children or infirm persons. Do not allow children to use it as a toy.
- Do not operate any product with a damaged cord or plug, or after the product malfunctions, or is dropped or appears damaged in any way. Return the complete product to the place of purchase for inspection, repair or replacement.
- Before unplugging the power cord, be sure to turn the power off. When touching the unit, be sure your hands are dry to prevent electrical shock.
- Avoid making contact with moving parts. Never insert fingers, pencils or any other objects through the guards whenever the power plug is connected, especially while the unit is working.
- Always place the fan on a stable, level surface when operating to prevent the fan from overturning. Do not run the power cord under carpet. Do not cover the power cord with throw rugs or runners. Route the power cord away from walking paths so that nobody can trip over it. The cable should be kept away from heat, sharp edges and oil.
- Your misting fan should be placed away from heat sources such as; radiators, gas/electric heaters and direct sunlight.
- To reduce the risk of electric shock, do not immerse or expose the product or flexible cord to rain, moisture or any liquid other than those necessary for correct operation of the product.
- This product should not be used in the immediate vicinity of water, such as bathtub, washbowl, bathroom swimming pool etc. Where the likelihood of immersion or splashing could occur.
- Switch off and unplug from outlet when not in use, before assembling or disassembling parts and before cleaning. Remove by grasping the plug - do not pull on the cord.
- Be sure that no other high current appliances are plugged into the same circuit as your fan, as an overload can occur.
- Do not remove any fixed covers.
- Avoid the use of an extension cord as the extension cord may overheat and cause a risk of fire.
- Do not use the appliance for other than its intended use.
- Do not use outdoors. **FOR INDOOR USE ONLY.**
- Do not leave the appliance unattended when switched on.
- Do not cover the grill, or operate in close proximity to curtains etc.

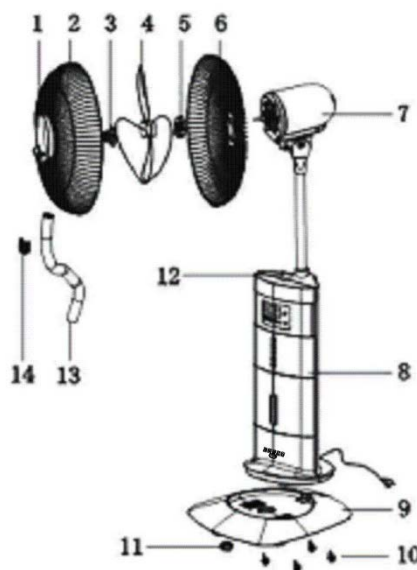
- The use of attachments or accessories not recommended or sold by the product distributor may cause personal or property hazards or injuries.
- Ensure that the fan is switched off from the supply mains before removing the guard.
- This product is intended for normal domestic/household use only.
- Use this fan as described in this manual. Any other uses, not recommended by the manufacturer, may cause fire, electric shock, or injury to persons and may void the warranty.
- This appliance is not intended for use by persons (including children) with reduced physical, sensory or mental capabilities, or lack of experience and knowledge, unless they have been given supervision or instruction concerning the use of the appliance by a person responsible for their safety.
- The installation of a residual current device (safety switch) is recommended to provide additional safety protection when using electrical appliances. It is advisable that a safety switch with a rated residual operating current not exceeding 30mA be installed in the electrical circuit supplying the appliance. See your electrician for professional advice.
- Do not touch / pull out / put back the water tank when the unit is plugged into a power source. Make sure it is physically disconnected from the mains before doing anything with the water tank.
- When the water level is too low, the safety switch will cut out operation of the mist function. Unplug the unit and refill the water tank for further operation.
- Do not let dust or other particles collect on the mist plate - if the mist outlets are blocked, the mist function could malfunction.
- Do not use hot water in the water tank - use water less than 40 degrees Celsius.
- Use only water in the water tank. Do not add chemicals or oils or any other additive.
- Infants, the disabled and the elderly should not be in the direct airflow from the fan for long periods of time.

Introduction

This product has both fan and humidifier functions, which can be used together or separately. The humidifier is especially useful on very hot humid days, as the extra mist in the air helps not only to cool you down, but also to increase the humidity in the dry heat.

Parts Location

1. Front mist plate
2. Front Guard
3. Blade cap
4. Blade
5. Guard Mounting Nut
6. Rear Guard
7. Motor
8. Fan Body
9. Base
10. Castor wheels
11. Base Nut
12. Fixer
13. Plastic Tube
14. Tube Button

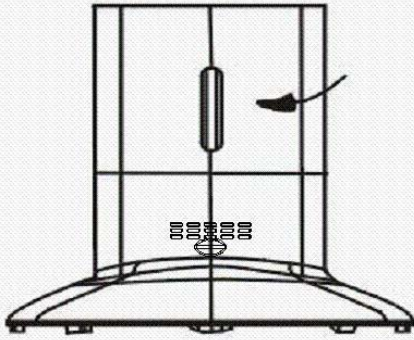


Assembly Instructions

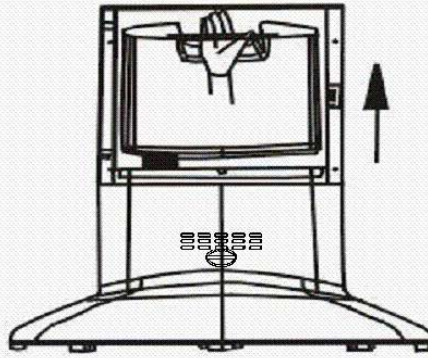
Grills, fan blades and the main body of the fan are packed separately to protect your fan from damages during transportation.

Filling the water tank

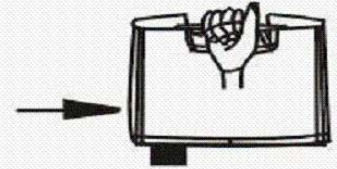
Place the fan on a flat stable surface, and then add water for the humidifying function as follows:



Open the water tank Cover



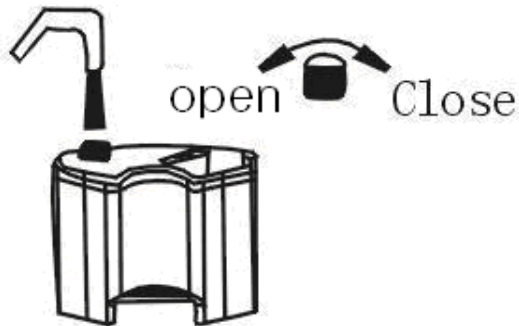
Lift out the water tank



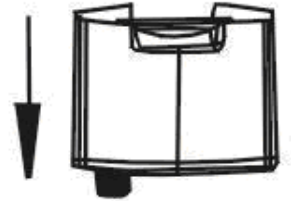
Take out the water tank.



Over a sink, turn the water tank so the outlet cap is facing upwards



Remove the tank cap and add water



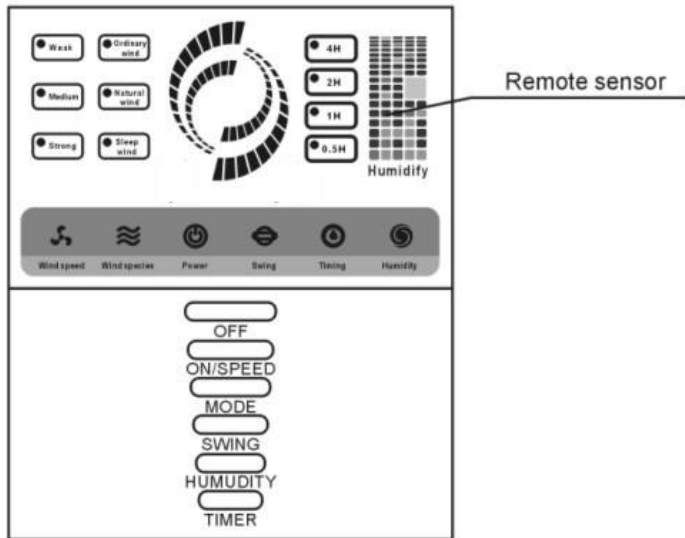
Replace the tank cap, and put it back into the fan and close the panel.

Before First Use

Before use, remove all packaging and inspect the appliance for any damage. If there appears to be any damage, please take the unit back to place of purchase for a replacement.

Operating Instructions

Before inserting the plug into a power outlet, make sure that the correct voltage being used corresponds to what is indicated on the rating label, and that the socket has an earth facility.



1. Insert plug to the electrical outlet, and the indicator light turns on.
2. Press the "ON/SPEED" button to choose Low, Med, or High speed that matches the light on the control panel.
3. Press the "MODE" button to choose the wind type from one of the following:
 - **Normal:** Wind flow based on Low/Med/High speed.
 - **Breeze:** Imitates the flow of natural wind based on strong and soft wind.
 - **Sleep:** The fan runs for half an hour on strong then soft natural wind mode, then changes to soft natural wind for the next half hour, and then the fan turns off automatically.
 - **Setting H:** Operation pattern: H → Stop → H → Stop → H
 - **Setting M:** Operation pattern: M → stop → M → Stop → M
 - **Setting L:** Operation pattern: L → Stop → L → off → L
 - Press "SWING" to start oscillation; press again to fix the airflow direction.
 - Press "HUMUDITY" to start the humidifying function; mist comes out of the front plate if there is water in the tank.

The MIST function can be used on its own or with the fan function to blow the mist into the room.

1. Press the "TIMER" button to set the timer. There are 4 indicator lights for automatic timing. To set a time of 7.5 hours you need to press 15 times so all the 4 indicator lights light up.
2. The Remote Control must be pointed towards the Remote Sensor on the main unit for best results. If the remote control doesn't operate as expected, replace the batteries (2 AAA batteries).

Care & Cleaning

To make cleaning easier, you can dismantle some parts of your fan.

- Your appliance must be switched OFF via the main power supply and unplugged before proceeding with any cleaning.
- Clean the housing with a soft damp cloth.
- Never use flammable or abrasive cleaning agents such as benzene or spirits to clean the appliance.
- Never immerse the appliance in water!
- It is recommended that you clean the water tank every 2-3 weeks and the flume every week.
- Pull out the water tank before cleaning it – pull the plastic tube out of the mist cask properly, and then take out the mist cask and water tank.
- Use a dry cloth to clean the mist cask. If there are stubborn stains on the mist cask, use a lightly dampened cloth with mild detergent.

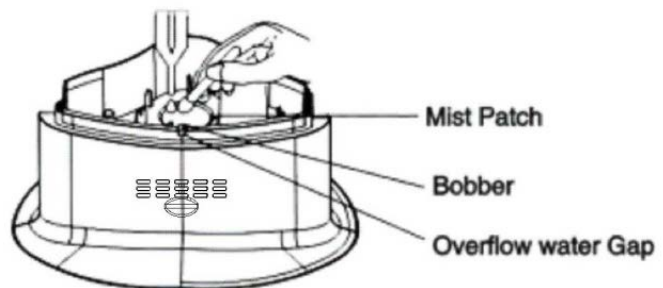
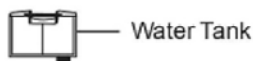
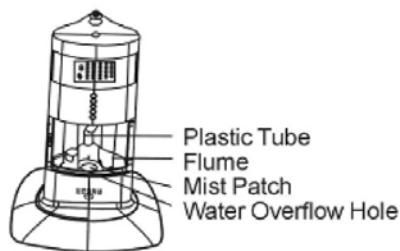


Figure of cleaning mist patch

Troubleshooting

Fault	Reason	Solution
Mist projector works normally, but without mist spray	a. Water could be contaminated with other substances or chemicals. b. Water tank could be cracked. c. Water tank could be empty.	a. Clean out the water tank and replace with clean water. b. Pour out the water and check for cracks. c. Refill the water tank. A full tank of water will last approximately 8 hours.
Mist projector doesn't work	a. Bobber doesn't float. b. Water tank could be empty.	a. Free the bobber and allow it to float freely. b. Refill the water tank. A full tank of water will last approximately 8 hours.
No indicator light, no wind, no mist.	a. Power cord is unplugged, and electric power is power off.	a. Plug the power cord, and turn on the electric power.
Peculiar smell from the mist	a. When new, there might be residue in the water tank/mist plate. b. The water in the water tank many be contaminated.	a. The smell should disappear after further use. b. Clean out the water tank and refill with fresh water.

<p>The fan doesn't work as normal</p>	<p>a. The plug and supply cord are damaged. b. The blades are bent.</p>	<p>a. Find service agent or a suitable qualified person to change or service b. Don't play the blades. Use soft damp cloth then wipe with dry cloth</p>
----------------------------------------------	-----------------------------------------------------------------------------	-------------------------------------------------------------------------------------------------------------------------------------------------------------

Specifications

Model	Description	Voltage	Frequency	Wattage	Mist Output	Tank Capacity
MIST40B	40cm Misting Fan	220-240V~	50Hz	100W	200ml/h	1500ml

Australian Customer Service

GAF Control (Sales) Pty Ltd

P.O Box 19

Altona North Victoria 3025

Phone: 1300 659 489

Hours: 9am-5pm (EST) Mon-Fri

www.gafcontrol.com.au

*This product may vary slightly to the product illustrated due to ongoing product development.