

HELLER

Instruction Manual

2400W Radiant Heater

Model: RH2400



READ AND SAVE THESE INSTRUCTIONS

Read and follow the instructions in this user manual even if you feel you are familiar with the product, and find a place to keep it handy for future reference.

For your convenience record the complete model number (located on the product identification plate) and the date you received the product, together with your purchase receipt and attach to the warranty and service information. Retain in the event that warranty service is required.

NOTE: The rating of this product (as marked on the product identification plate) is based on specific loading tests. Normal use or the use of other recommended attachments may draw significantly less power.

Important Safeguards

When using any electrically powered product, basic safety precautions should always be followed, including the following:

PLEASE READ ALL INSTRUCTIONS CAREFULLY BEFORE USING THIS PRODUCT

WARNING!: - to reduce the risk of fire, electrical shock or injury to persons or property:

- Always operate the product from a power source of the same voltage, frequency and rating as indicated on the product identification plate.
- This appliance is not intended for use by persons (including children) with reduced physical, sensory or mental capabilities, or lack of experience and knowledge, unless they have been given supervision or instruction concerning use of the appliance by a person responsible for their safety.
- Do not operate any product with a damaged cord or plug, or after the product malfunctions, or is dropped or appears damaged in any way. Return the complete product to the place of purchase for inspection, repair or replacement.
- Do not twist, kink or wrap the power cord around the appliance, as this may cause the insulation to weaken and split particularly where it enters the unit.
- To reduce the risk of electric shock, do not immerse or expose the product or flexible cord to rain, moisture or any liquid other than those necessary for correct operation of the product.
- This product should not be used in the immediate vicinity of water, such as bathtub, washbowls, basins, showers, swimming pools, or other vessels containing liquids where the likelihood of immersion or splashing could occur.
- Avoid touching the heater body whilst the heater is on. If the unit needs to be moved, switch off and only hold the heater by the handles where provided.
- Switch off and unplug from outlet when not in use, before assembling or disassembling parts and before cleaning. Remove by grasping the plug - do not pull on the cord.
- Do not use the appliance for other than its intended use.
- Do not leave the appliance unattended when switched on.
- Do not use this appliance outdoors.
- Do not place objects on the product or allow objects to obstruct the inlet or outlet openings, or operate in close proximity to walls or curtains, etc.
- The use of attachments or accessories not recommended or sold by the product distributor may cause personal or property hazards or injuries.
- This product is intended for normal domestic/household use only, and only to be used on the floor.
- Do not mount on ceilings or walls
- Do not locate the heater immediately below a socket outlet.
- Do not use this heater with a programmer, timer, separate remote control system or any other device that switches the heater on automatically, since a fire risk exists if the heater is covered or positioned incorrectly.

- Children should be supervised to ensure that they do not play with the appliance.
- Never cover the heater as this may lead to risk of fire.
- Keep combustible materials such as drapes and other furnishings at least 2 metres from the front, sides, and rear of the heater.
- The installation of a residual current device (safety switch) is recommended to provide additional safety protection when using electrical appliances. It is advisable that a safety switch with a rated residual operating current not exceeding 30mA be installed in the electrical circuit supplying the appliance. See your electrician for professional advice.

NOTE: Your heater is fitted with a safety device that switches the heater off, should the unit overheat, it will switch off automatically. If this should occur, all you need to do is:

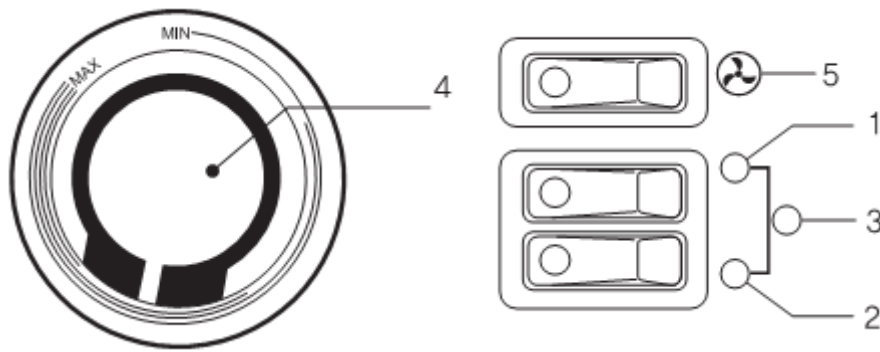
- Disconnect the plug from the electrical socket for at least 5 minutes.
- Ensure the heater is not covered and nothing is obstructing any of the vents.
- Plug the heater back into the electrical socket and switch the heater ON.
- If the heater fails to operate and the safety device switches the heater off again, return the heater to your nearest service centre for examination or repair.

Features



Operating Instructions

Rotary switch for temperature control:



1	Low heat	The central heating tube will light up = 800W
2	Moderate heat	The upper and lower heating tube will light up = 1600W
3	High heat	The upper, central, and lower heating tubes will light up = 2400W
4	Rotary switch for temperature control	Allows you to adjust the desired temperature in the moderate or high heat state
5	Air supply	Blows heated warm air

1. Remove the unit from the box and take off any protective wrapping, and unwind the cord to its full length.
2. Place the heater on a smooth level surface at least 50cm away from any obstacles.
3. Plug your fan heater into the power supply. Make sure the power supply corresponds to the power indicated on the rating label. Do not locate the heater immediately below a socket outlet.
4. Press the desired heat setting switch, refer to figure above.
5. To turn the heater off, ensure that all switches are set to 'O' and the power supply is also switched off.

Troubleshooting

Abnormalities	Check Items	Troubleshooting
Will not heat	<p>Make sure the power supply is connected.</p> <p>Please check whether the heater is leaning or tilted. If yes, the built-in safety tip over switch will be automatically activated.</p>	<p>Connect the power supply.</p> <p>Ensure the heater is in a stable flat position</p>
A burning smell and abnormal sounds.	<p>The burning smell and abnormal sound will occur if the heating rod is electrified for the first time.</p>	<p>The abnormality will disappear after a period of heating.</p>

Cleaning & Maintenance

1. Always disconnect the appliance from the main power outlet before cleaning, and ensure it is completely cooled down.



2. Do not use any detergents/solvents or chemical cleaning agents to clean the heater. Do not immerse in water, or allow any parts to come into contact with any liquids.



3. Clean the outside of the heater, by wiping with a damp lint free cloth. Use a dry cloth to wipe off any moisture left on the heaters surface.



4. Make sure the heater has cooled down completely before storing. Storing the heater in its original box is highly recommended.



Hints & Tips

1. Do not overheat your home, in winter the temperature of a heated room should be between 18-21°C
2. Choose the right size heater for the room that you wish to heat.
3. Zone off the unoccupied rooms by closing doors and curtains to limit heat loss.
4. Use draft stoppers where possible, to keep the cold air from filtering in under doors.
5. Avoid placing items or sitting too close to the heater for optimal air flow.

Australian Customer Service

GAF Control (Sales) Pty Ltd

P.O Box 19

Altona North Victoria 3025

Phone: 1300 659 489

Hours: 9am-5pm (EST) Mon-Fri

www.gafcontrol.com.au

*This product may vary slightly to the product illustrated due to ongoing product development.