

# HELLER

Instruction Manual

## 50cm Pedestal Fan with Remote Control

Model: RPF50CR



READ AND SAVE THESE INSTRUCTIONS

Please read and follow the instructions in this user manual even if you feel you are familiar with the product, and find a place to keep it handy for future reference.

For your convenience record the complete model number (located on the product identification plate) and the date you received the product, together with your purchase receipt and attach to the warranty and service information. Retain in the event that warranty service is required.

NOTE: The rating of this product (as marked on the product identification plate) is based on specific loading tests. Normal use or the use of other recommended attachments may draw significantly less power.

## Important Safeguards

**When using any electrically powered product, basic safety precautions should always be followed, including the following:**

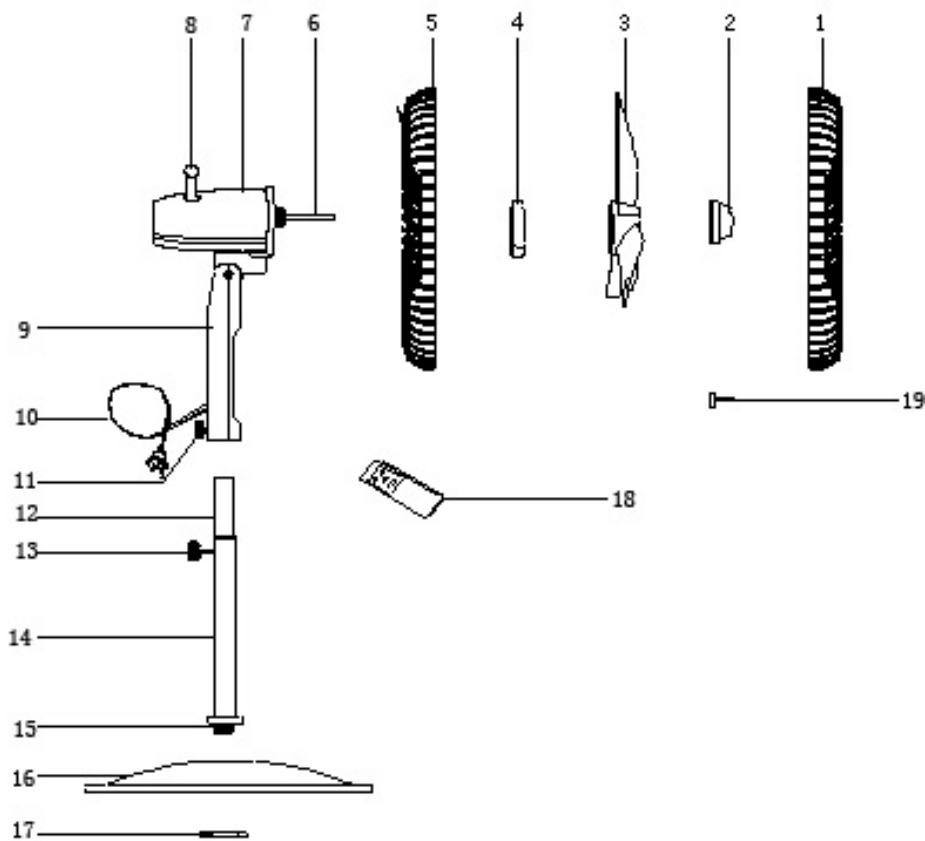
PLEASE READ ALL INSTRUCTIONS CAREFULLY BEFORE USING THIS PRODUCT

WARNING!: - to reduce the risk of fire, electrical shock or injury to persons or property:

- Always operate the product from a power source of the same voltage, frequency and rating as indicated on the product identification plate.
- Remove the unit from its packaging and check to make sure it is in good condition before using.
- Do not let children play with parts of the packaging (such as plastic bags).
- Close supervision is necessary when the product is used by or near children or infirm persons. Do not allow children to use it as a toy.
- Do not operate any product with a damaged cord or plug, or after the product malfunctions, or is dropped or appears damaged in any way. Return the complete product to the place of purchase for inspection, repair or replacement.
- Before unplugging the power cord, be sure to turn the power off. When touching the unit, be sure your hands are dry to prevent electrical shock.
- Avoid making contact with moving parts. Never insert fingers, pencils or any other objects through the guards whenever the power plug is connected, especially while the unit is working.
- Always place the fan on a stable, level surface when operating to prevent the fan from overturning. Do not run the power cord under carpet. Do not cover the power cord with throw rugs or runners. Route the power cord away from walking paths so that nobody can trip over it. The cable should be kept away from heat, sharp edges and oil.
- Metal blades may have sharp edges, so take special care when assembling this product.
- Your pedestal fan should be placed away from heat sources such as; radiators, gas/electric heaters and direct sunlight.
- To reduce the risk of electric shock, do not immerse or expose the product or flexible cord to rain, moisture or any liquid other than those necessary for correct operation of the product.
- This product should not be used in the immediate vicinity of water, such as bathtub, washbowls, bathroom swimming pool etc. Where the likelihood of immersion or splashing could occur.
- Switch off and unplug from outlet when not in use, before assembling or disassembling parts and before cleaning. Remove by grasping the plug - do not pull on the cord.
- Be sure that no other high current appliances are plugged into the same circuit as your fan, as an overload can occur.
- Do not remove any fixed covers.
- Avoid the use of an extension cord as the extension cord may overheat and cause a risk of fire.
- Do not use the appliance for other than its intended use.
- Do not use outdoors. **FOR INDOOR USE ONLY.**
- Do not leave the appliance unattended when switched on.

- Do not cover the grill, or operate in close proximity to curtains etc.
- The use of attachments or accessories not recommended or sold by the product distributor may cause personal or property hazards or injuries.
- Ensure that the fan is switched off from the supply mains before removing the guard.
- This product is intended for normal domestic/household use only.
- Use this fan as described in this manual. Any other uses, not recommended by the manufacturer, may cause fire, electric shock, or injury to persons and may void the warranty.
- This appliance is not intended for use by persons (including children) with reduced physical, sensory or mental capabilities, or lack of experience and knowledge, unless they have been given supervision or instruction concerning the use of the appliance by a person responsible for their safety.
- The installation of a residual current device (safety switch) is recommended to provide additional safety protection when using electrical appliances. It is advisable that a safety switch with a rated residual operating current not exceeding 30mA be installed in the electrical circuit supplying the appliance. See your electrician for professional advice.

## Parts Location



- |    |                          |     |                       |
|----|--------------------------|-----|-----------------------|
| 1. | Front Grill              | 10. | Power Cord            |
| 2. | Fan Blade Nut            | 11. | Stand Fixing Key      |
| 3. | Fan Blade                | 12. | Upper Pillar          |
| 4. | Rear Grill Screw         | 13. | Height Adjustment Key |
| 5. | Rear Grill               | 14. | Main Pillar           |
| 6. | Motor Shaft              | 15. | Metal Tube            |
| 7. | Motor Housing            | 16. | Fan Base Plate        |
| 8. | Oscillation Control Knob | 17. | Base & Pillar Nut     |
| 9. | Switch Housing           | 18. | Remote Control        |
|    |                          | 19. | Grill Screw           |

## Assembly Instructions

Grills, fan blades and the main body of the fan are packed separately to protect your fan from damages during transportation.

1. Be sure your fan is unplugged from the mains supply before proceeding.
2. Insert the main pillar (14) into the hole of the fan base (16), and tighten the base and pillar nut (17).
3. To adjust height, loosen the stand height adjustment key (13), slide the pipe to desired height, and then tighten again.
4. Connect the main motor housing (7) part to the upper pillar (12) by firmly tightening the fixing screw (11) with a screwdriver.
5. Remove the rear grill collar nut (2) from the motor assembly by turning the collar anticlockwise.
6. Fit the rear grill (5) by matching it on positioning pins. Secure the rear grill (5) to the motor body with the rear grill collar lock nut (4).
7. Push the fan blade (3) onto the motor shaft (6) until the fan blade is fully seated. For models with shaft pins, push the fan blade onto the motor shaft by matching the slots on the base of the blade with the shaft pin.
8. Secure the blade (3) with the fan blade nut (2). The blade nut (2) must be tightened by turning it **COUNTER CLOCKWISE**. Check that the fan blade rotates freely by turning it with your hand.
9. Open securing clips around the front grill (1) and loosen the grill screw and nut (19) at the bottom of the front grill. Position the front grill hook on the uppermost part of the rear grill. Push the hook down and press rim of the front grill onto the rear grill. Close all clips around and tighten the grill screw (19).

## Before First Use

Before use, remove all packaging and inspect the appliance for any damage. If there appears to be any damage, please take the unit back to place of purchase for a replacement.

## Operating Instructions

*Before inserting the plug into a power outlet, make sure that the correct voltage being used corresponds to what is indicated on the rating label, and that the socket has an earth facility.*

1. Place your pedestal fan on a firm, level surface away from moisture and heat sources.
2. Connect to power outlet and turn the power supply on.  
***You may control your pedestal fan either with the remote control or with the buttons on the control panel.***
3. To remove the remote control, pull it out from the holder.
4. To turn the fan 'On' press the **ON/SPEED** button on the remote control or the **ON/SPEED** button on the control panel. By pressing this button repeatedly the fan will toggle between **1 (LOW)**, **2 (MED)**, or **3 (HI)** speed settings. The LED indicator on the control panel will indicate the speed selected.
5. To make the fan oscillate, push down the oscillating knob (8) located on the top of the motor housing (see parts location).
6. To stop the fan from oscillating, pull up the oscillating knob.
7. Your pedestal fan comes with an inbuilt 8 hour timer. Press the **TIMER** button on the remote control or on the control panel to turn the **TIMER ON**. By pressing the **TIMER** button repeatedly the timer for the fan will toggle between 1, 2, 4 and 8 hours. Press the **TIMER** button again to turn the timer function **OFF**. The LED indicator on the control panel will indicate the time selected.
8. Press the **MODE** button to select one of three airflow modes; Natural, Sleep and Strong Breeze. Press the **MODE** button once. The **MODE** LED indicator light will be **RED**. Pressing again and again will change the colour of the LED to **GREEN** and **ORANGE**.

9. The RED LED indicates the RHYTHM wind mode. In this mode the fan will blow air in three wind levels; HI, MED and LOW. It cycles from LOW to MED, MED to HI, then, HI to MED and MED to LOW.
10. The GREEN LED indicates the SLEEP wind mode. In this mode the wind speed steps down automatically by one level every 30 minutes and finishes on LOW speed. (If the TIMER is set, it will switch off automatically).
11. The ORANGE LED indicates the RHYTHM SLEEP wind mode. In RHYTHM SLEEP wind mode the fan blows LOW, MED or HI wind. (If the TIMER is set, it will switch off automatically).
12. Press ON/SPEED button to turn off the fan.

## Care & Cleaning

To make cleaning easier, you can dismantle some parts of your fan.

1. Your appliance must be switched OFF via the main power supply and unplugged before proceeding with any dismantling or cleaning.
2. Use a small screwdriver or other suitable tool to remove the grill screw and nut (19). Remove fixing clips around the grill.
3. Remove the front grill (1)
4. Turn the fan blade nut (2) CLOCKWISE (as indicated on the knob) and remove it completely.
5. Remove the fan blade (3) by pulling blades from the base carefully.
6. Unscrew the rear grill collar nut (4) COUNTER CLOCKWISE that holds the rear grill.
7. Remove the rear grill (5).
8. Clean the housing with a damp cloth, a vacuum cleaner or a dusting brush.
9. We recommend lightly running a vacuum cleaner brush nozzle over the fan grill to remove any dust or dirt that may have accumulated.
  - Never use flammable or abrasive cleaning agents such as benzene or spirits to clean the appliance.
  - Never immerse the appliance in water!
10. Follow assembly instructions after cleaning is complete.

## Specifications

Model	Description	Voltage	Frequency	Wattage
RPF50CR	50cm Pedestal Fan with Remote Control	220-240V~	50Hz	90W

## Australian Customer Service

GAF Control (Sales) Pty Ltd  
 P.O Box 19  
 Altona North Victoria 3025  
 Phone: 1300 659 489  
 Hours: 9am-5pm (EST) Mon-Fri  
[www.gafcontrol.com.au](http://www.gafcontrol.com.au)

\*This product may vary slightly to the product illustrated due to ongoing product development.