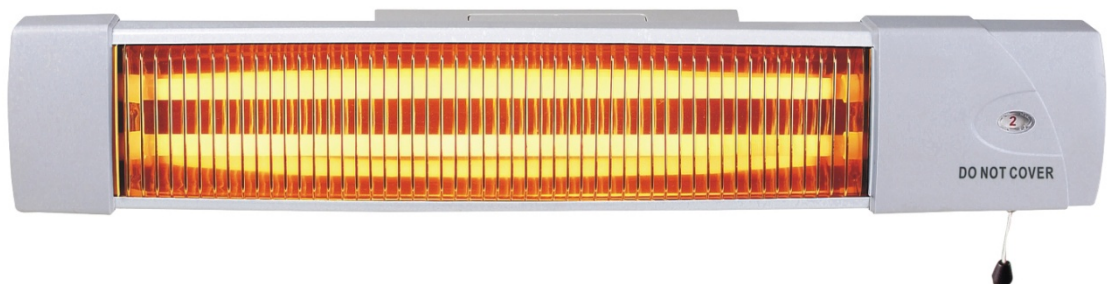




1200W LIGHT GREY STRIP HEATER – WALL MOUNTED

USER MANUAL

Model Number: SH1200W



READ AND SAVE THESE INSTRUCTIONS

BEFORE FIRST USE:

Read and follow all the instructions in this "User Manual" even if you feel you are familiar with the product, and find a place to keep it handy for future reference.

Your attention is drawn particularly to the sections concerning "IMPORTANT SAFEGUARDS" and "FOR YOUR SAFETY".

For your convenience record the complete model number (located on the product identification plate) and the date you received the product, together with your purchase receipt and attach to the warranty and service information. Retain in the event that warranty service is required.

NOTE: The rating of this product (as marked on the product identification plate) is based on specific loading tests. Normal use or the use of other recommended attachments may draw significantly less power.

IMPORTANT SAFEGUARDS:

When using any electrically powered product, basic safety precautions should always be followed, including the following:

PLEASE READ ALL INSTRUCTIONS CAREFULLY BEFORE USING THE PRODUCT.

WARNING - to reduce the risk of fire, electrical shock or injury to persons or property:

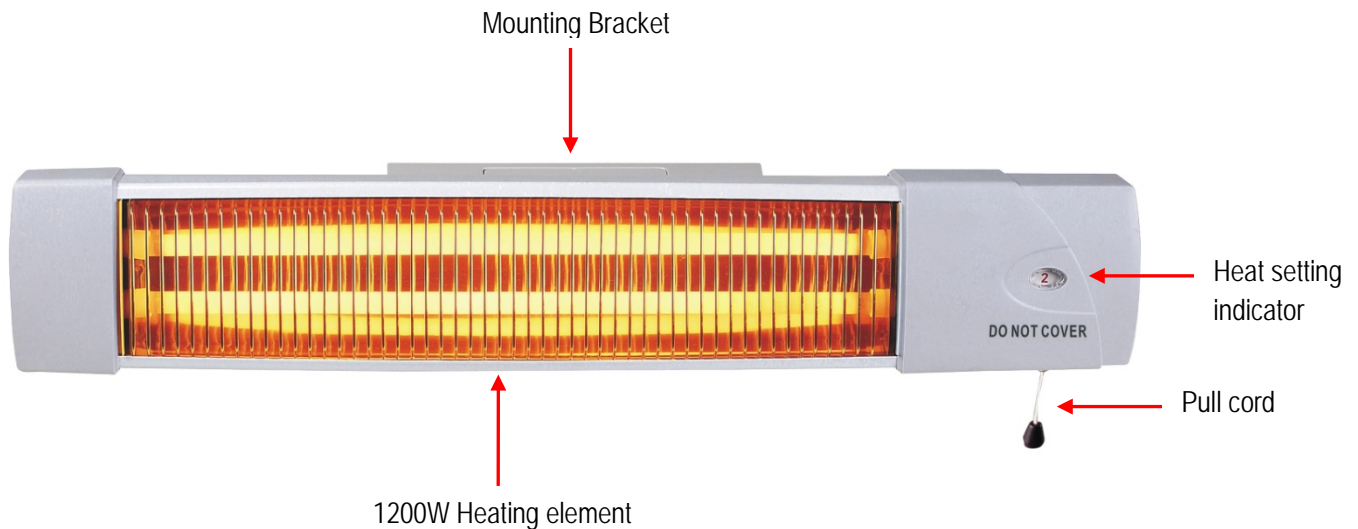
1. Please read and save these instructions for future reference, and before using the heater.
2. Remove packaging supports from the elements before using.
3. Extreme caution is necessary when the heater is used by, or near children, invalids or animals.
4. The packaging materials contain plastic and nails, which may be hazardous and therefore should not be left within the reach of children.
5. Your radiant strip heater is designed for horizontal wall mounting only, and must not be mounted on the ceiling or floor.
6. It is strongly recommended that the installation is carried out by a qualified electrician.
7. Do not run the cord under carpeting or cover the cord with rugs, runners, or the like. Arrange the cord so it will be away from traffic areas, and where it will not be tripped over.
8. Always disconnect the heater when it is not in use, by switching to power 'off' and removing the plug from the outlet.
9. The heater must not be mounted directly below a socket outlet or light, and not be within close proximity to bath tubs, showers, wash basins, or anything other liquids.
10. If fitted in a bathroom, install the heater so that switches and other controls cannot be touched by a person in the bath or shower.
11. Young children must be supervised to ensure that they do not play with the heater.
12. This appliance is not to be used by children or persons with reduced physical, sensory or mental capabilities, or lack of experience and knowledge unless they have been given supervision or instruction.
13. Do not touch hot metal surfaces, when in the 'On' position the neon light will illuminate.

14. Do not attach or insert any foreign objects into the element guard as this may cause an electric shock, fire or damage the heater.
15. Do not operate any heater with a damaged cord or plug, or if the heater has been dropped or damaged in any manner. Return the heater to an authorized service facility for examination, electrical or mechanical adjustment, or repair.
16. This appliance is not to be used outdoors.
17. Avoid installation near heat sensitive surfaces; place the unit in an open area. Do not install close to curtains or other combustible materials or immediately below or in front of a socket outlet.
18. Do not put a cover over the appliance, as this could cause a fire.
19. This appliance is to be used only for the purpose of the manufacturer. Any other use is improper and therefore dangerous.

CAUTION:

- This heater only operates in a horizontal mounted position.
- Ensure that the parts exposed to the heat rays are free of dust and dirt.

FEATURES OF THE HEATER:

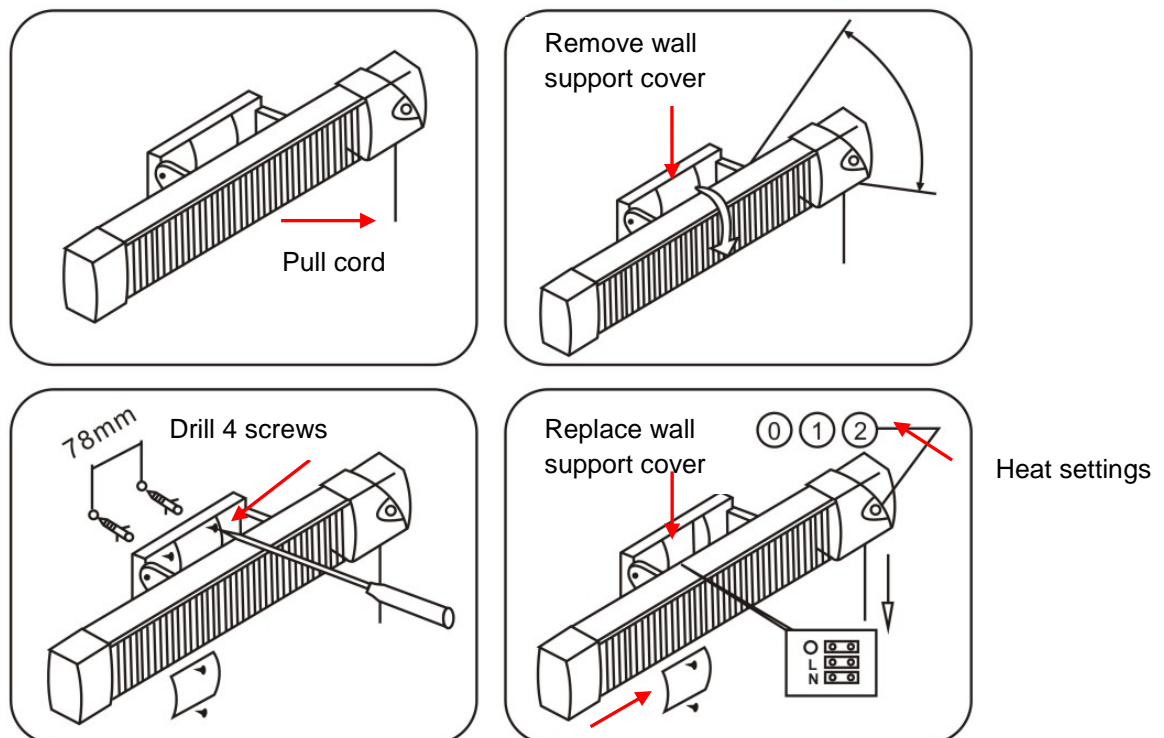


HOW TO OPERATE:

Please read these instructions carefully before operating.

1. Carefully remove the heater from its carton and plastic packaging, and remove all promotional labels, and unwind the cord to its full length.
2. Your heater must be wall mounted and installed at least 1.8m above the floor and at least 50cm below the ceiling.
3. Unscrew the two screws which fasten the cover to the wall support, and remove the cover.
4. Determine the placement of the appliance, and drill the four screws into wall.
5. Once the appliance is secure on the wall, place the cover back over the wall support and fasten with the two screws.
6. Now that the appliance is secure, plug the power cord into an appropriate outlet and pull the cord to switch 'On' (1) – the neon light will illuminate.
7. Pull the cord again if more heat is required (2) will appear in the window
8. Pull the cord for the third time to switch 'Off' (0)

IMPORTANT During assembly, it is important to be especially careful not to touch the heating elements, as this could leave spots which could diminish the thermal radiation.



CARE AND MAINTENANCE:

- Always turn off and unplug the heater before cleaning, and ensure that it is completely cooled down.
- Use only a clean damp, lint-free cloth to clean the external surfaces of the heater only.
- Do not attempt to remove the front of the grill, or open the case of the heater at any time.
- To avoid the risk of electric shock, do not clean the appliance with water and do not immerse in water or any other liquid.

FOR YOUR SAFETY:

- Do not operate the product with a damaged cord or plug, or after the product malfunctions, or is dropped or appears damaged in any way.
- When the appliance is turned on for the first time, it is normal for the unit to slightly vibrate, and then fade away.

SERVICE:

- The appliance has no user serviceable parts. In the event that it is dropped or damaged in any way, or fails to operate it should be returned to the place of purchase, together with your purchase receipt or the address below for repair or replacement.

G.A.F Control (Sales) Pty. Ltd.,

18-28 Taras Avenue

Altona North

Victoria 3025

Tel: 1300 659 489

READ AND SAVE THESE INSTRUCTIONS