

INSTALLATION, USE AND CARE INSTRUCTIONS

HELLER

2IN1 EXHAUST FAN AND LIGHT

Models: EFL10RS, EFL10RW, EFL10SS & EFL10SW



BEFORE OPERATING THIS PRODUCT READ, UNDERSTAND AND FOLLOW THESE INSTRUCTIONS AND SAVE FOR FUTURE REFERENCE.

This product may vary slightly to the product illustrated, due to ongoing product development.

Dear Customer,

Thank you for purchasing the HELLER 2IN1 Exhaust Fan and light. Please read all instructions before commencing installation.

Important: The HELLER 2IN 1 Exhaust Fan and light must be installed to comply with the appropriate council regulations and the Australian and New Zealand wiring rules AS/NZS 3000:2000 or latest edition thereof.

IMPORTANT

Read and follow the instructions in this user manual even if you feel you are familiar with the product, and find a place to keep it handy for future reference.

For your convenience record the complete model number (located on the product identification plate) and the date you received the product, together with your purchase receipt and attach to the warranty and service information. Retain in the event that warranty service is required.

NOTE: The rating of this product (as marked on the product identification plate) is based on specific loading tests. Normal use or the use of other recommended attachments may draw significantly less power.

IMPORTANT SAFEGUARDS

When using any electrically powered product, basic safety precautions should always be followed, including the following:

PLEASE READ ALL INSTRUCTIONS CAREFULLY BEFORE USING THIS PRODUCT

WARNING! - to reduce the risk of fire, electrical shock or injury to persons or property:

- Always operate the product from a power source of the same voltage, frequency and rating as indicated on the product identification plate.
- Close supervision is necessary when the product is used by or near children or invalids. Do not allow children to play with the appliance.
- Do not operate any product with a damaged cord or plug, or after the product malfunctions, or is dropped or appears damaged in any way.
- This unit is designed for indoor use only.
- Do not allow any foreign object to enter the grille openings as this may damage the unit and/or the user.
- Do not allow any ceiling insulation to cover any of the rear section of the appliance.
- Use this unit only as described in this user manual. Any other use not recommended by the manufacturer may cause fire, electric shock, or injury to persons. If you have any questions, contact the manufacturer.
- All wiring must be carried out by a licensed Electrician in accordance with all applicable National / Local codes and standards. Also check with the local council regulations regarding installation of exhaust fans.
- Make sure that the power is OFF before installing.
- When cutting into the ceiling, do not damage electrical wiring and any other hidden utilities.
- The unit must be properly grounded.
- For the purpose of avoiding any dangerous gas leaking into your bathroom, the ventiduct of the unit must not be laid together with the ventiduct of air fuelled water heaters or other open –fire appliances into the same flue.
- The unit must be isolated from the power by means of a plug or all-pole disconnection switch with a contact separation of at least 3mm in each pole.
- The power cable must stand a minimum 10A load.
- Close supervision is required when the product is used by or near children or invalids. Do not allow children to use as a toy.
- The unit should not be installed directly above the shower or bath. The unit must not be installed in a position where water may splash onto the unit.

IMPORTANT CONSIDERATIONS BEFORE INSTALLATION

CAUTION: ANY ELECTRICAL WIRING MUST BE CARRIED OUT BY A LICENSED ELECTRICIAN.

A few minutes planning can make a big difference to the installation time and also to your satisfaction with the function of the unit.

1. The unit must be mounted outside the shower cubicle.
2. For the exhaust fan to work efficiently, replacement air of a volume equivalent to what is being extracted must be able to enter the room. In general this air would be drawn under the door, or through a slightly open window. If the room is airtight, the fan will function poorly.
3. This product is designed for installation in flat ceilings ONLY. Do not mount on a sloping ceiling or a vertical wall.
4. Before commencing any cutting, check in the ceiling space that there are no obstructions such as ceiling joists and that there is sufficient height clearance for the housing. Check that the electrical wiring can be routed from the wall switches to the mounting location.

INSTALLATION

1. Using the cut out template provided, mark the cut out hole on the ceiling and also mark the positions of the screws. **NOTE: The inside edge of the template is to be used for the cut out hole marking.**
3. Make sure that you have enough clearance in the ceiling space (minimum 250mm).
4. Cut the hole. Attach the blocks to the inside of the ceiling using the two outer screw positions marked before the cut out. Put two alignment screws in each block. Please refer to diagram 1 or 2 depending on your model.
5. Push the unit into the hole and fix it to the blocks using the fixing screws.
6. If you have access to the ceiling space, fit off all the wiring and the ducting. Please refer to diagram 4.
7. In order for the warranty to be honoured the fan must be installed:
 - a. At least 2.3M above the ground.
 - b. At least 90cm from any hotplate and have at least 50cm clear space above the fan blades.
 - c. Ensure the power cord will not foul the fan blades.
 - d. Ensure any ceiling insulation or frame does not obstruct the airflow.
 - e. Clean the grille and blades regularly.
8. **Note: Please ensure that the unit is between the joists and 250mm from the nearest wall.**

PART NAMES

Square models:

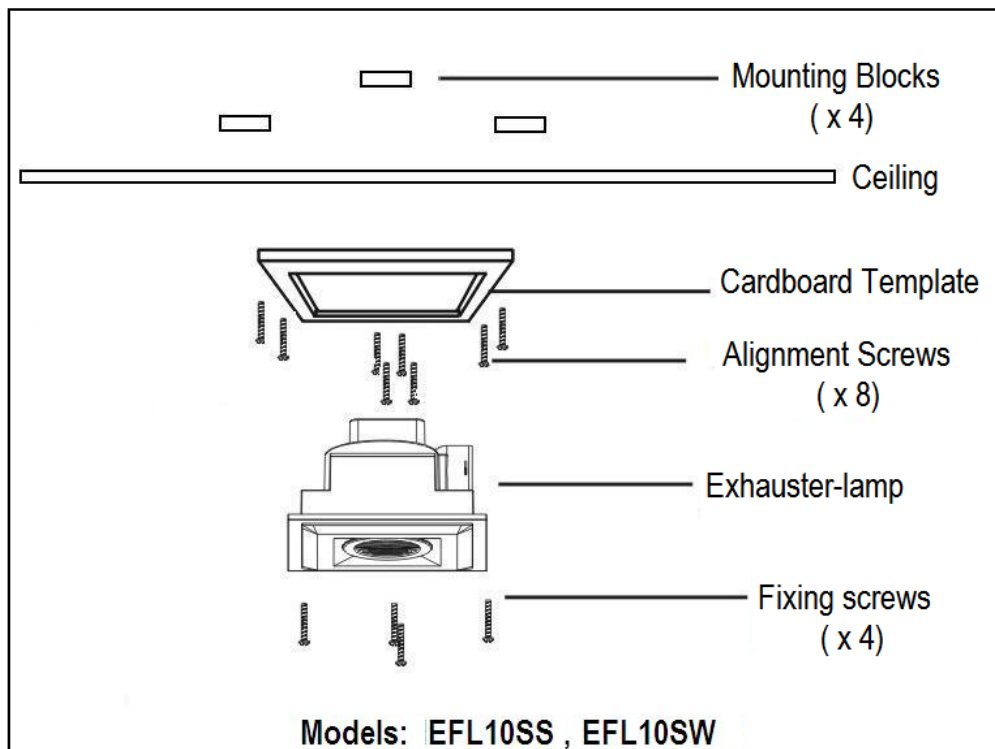


Diagram 1

Round Models:

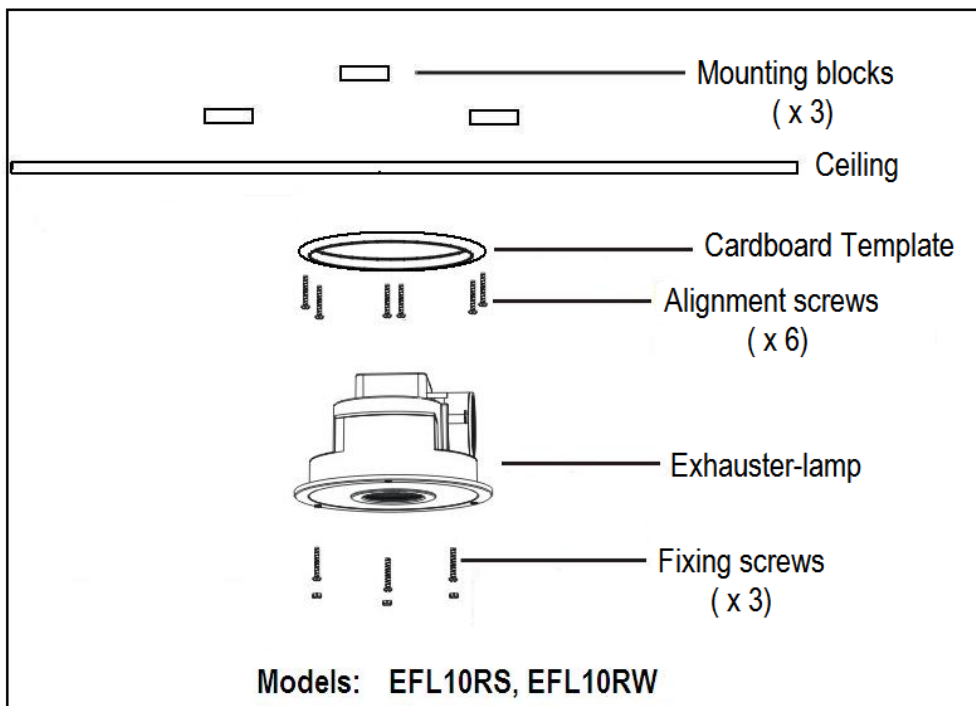


Diagram 2

EXTERNAL DIMENSIONS (mm) AND INSTALLATION DIMENSIONS (mm)

MODEL	A	B	C	D	E	F
EFL10SS	280	240	260	97	50	165
EFL10SW	280	240	260	97	50	165
EFL10RS	290	245	270	97	55	170
EFL10RW	290	245	270	97	55	170

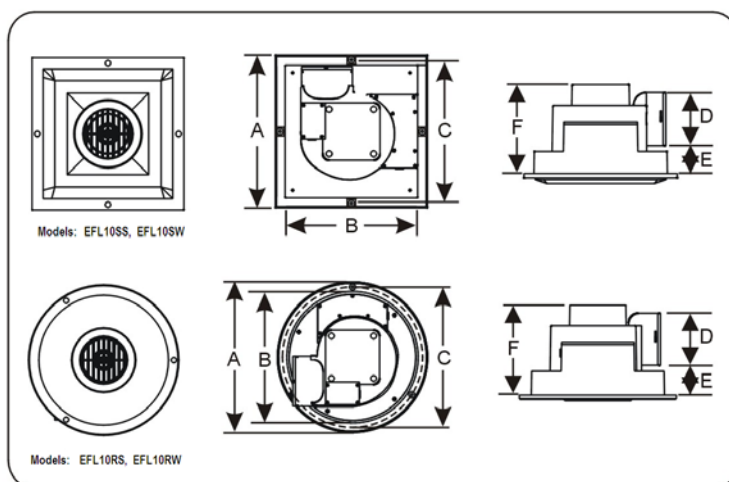


Diagram 3

SPECIFICATIONS

Model	Power supply	Fan Power(w)	Lighting Power(w)	Air delivery (m ³ /h)	Noise (dB)
EFL10SS	220-240V~50Hz	22	22	150	41
EFL10SW	220-240V~50Hz	22	22	150	41
EFL10RS	220-240V~50Hz	22	22	150	41
EFL10RW	220-240V~50Hz	22	22	150	41

CONNECTING DIAGRAM

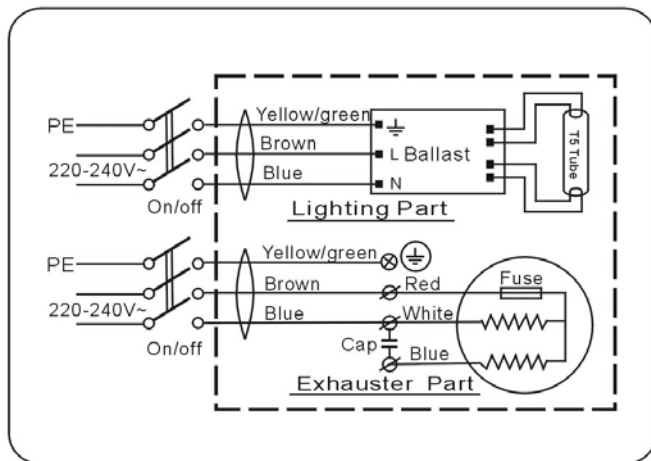
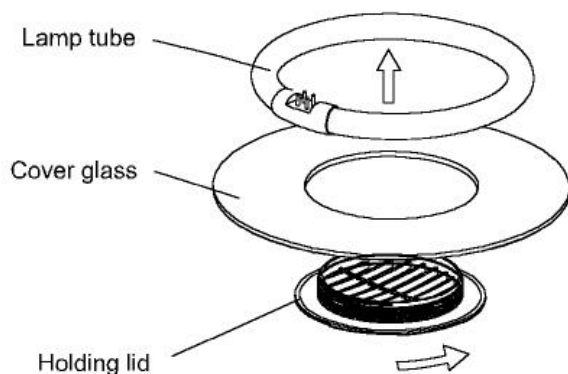


Diagram 4

TUBE REPLACEMENT

1. When the globe has blown, or it doesn't seem to be lighting correctly, the tube will be at the limit of its working life. This means it is time to replace the tube!
2. To replace the tube, the unit must be disconnected from the mains supply (by an electrician if hard wired) before the faulty tube is removed. Please refer to picture below.



CARE & MAINTENANCE

Dirty fan blades and a clogged grille drastically reduce the fans performance, working life & void the warranty. Regular cleaning will ensure many years of trouble free operation. Always switch the appliance off before removing the grille.

1. Ensure the unit is turned off at the switch before commencing any cleaning.
2. Allow the unit cool completely.
3. Wipe the outer face with a soft damp cloth.
4. Wipe the inner face with a soft dry cloth or use a vacuum cleaner with a brush attachment. Unscrew the cap carefully and remove the glass cover to clean the inner face.
5. Ensure all parts are completely dry before reassembling parts cleaned

GAF Control (Sales) Pty Ltd
441 Kororoit Creek Road,
Altona VIC 3018

Ph: 1300 659 489
Email: gaf@gafcontrol.com.au