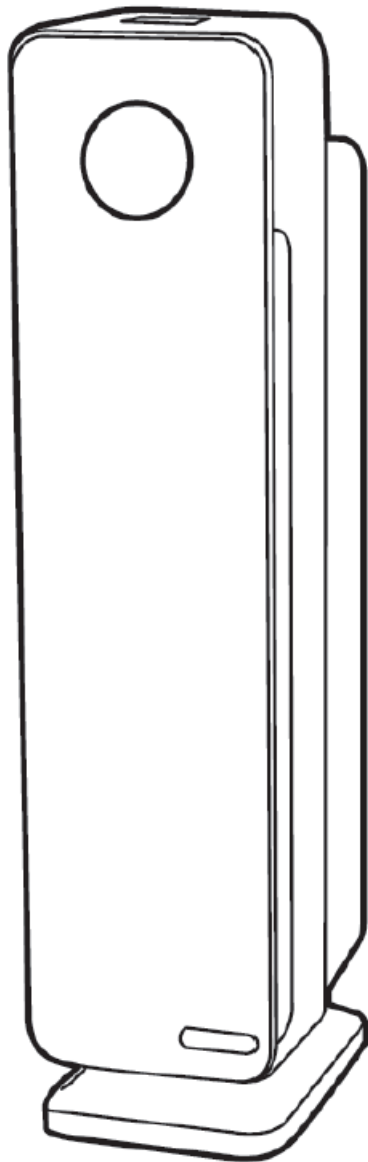


HELLER

Instruction Manual

Digital Air Purifier

Model: HAP120



READ AND SAVE THESE INSTRUCTIONS

Please read and follow the instructions in this user manual even if you feel you are familiar with the product, and find a place to keep it handy for future reference.

For your convenience record the complete model number (located on the product identification plate) and the date you received the product, together with your purchase receipt and attach to the warranty and service information. Retain in the event that warranty service is required.

NOTE: The rating of this product (as marked on the product identification plate) is based on specific loading tests. Normal use or the use of other recommended attachments may draw significantly less power.

IMPORTANT SAFEGUARDS

When using any electrically powered product, basic safety precautions should always be followed, including the following:

PLEASE READ ALL INSTRUCTIONS CAREFULLY BEFORE USING THIS PRODUCT

WARNING! - to reduce the risk of fire, electrical shock or injury to persons or property:

- Read all instructions before using appliance.
- Always operate the product from a power source of the same voltage, frequency and rating as indicated on the product identification plate.
- Remove the unit from its packaging and check to make sure it is in good condition before using.
- Do not let children play with parts of the packing (such as plastic bags).
- Close supervision is necessary when the product is used by or near children or infirm persons. Do not allow children to use it as a toy.
- Children should be supervised to ensure they do not play with the appliance.
- Do not operate any product with a damaged cord or plug, or after the product malfunctions, or is dropped or appears damaged in any way. Return the complete product to the place of purchase for inspection, repair or replacement.
- Before unplugging the power cord, be sure to turn the power off. When touching the unit, be sure your hands are dry to prevent electrical shock.
- Fully remove the power cord from the power cord tidy before use. Always uncoil the power cord before applying power.
- Never install the unit where it is exposed to direct sunlight, excessive moisture/rain, dust and lack of ventilation near any heat sources.
- Avoid making contact with moving parts. Never insert fingers, pencils or any other objects through the guards, grills or air openings whenever the power plug is connected, especially while the unit is working.
- To protect against electrical hazards, DO NOT IMMERSE in water or other liquids. Do not use near water.
- To reduce the risk of electric shock, do not immerse or expose the product or flexible cord to rain, moisture or any liquid other than those necessary for correct operation of the product.
- Switch off and unplug from outlet when not in use, before assembling or disassembling parts and before cleaning. Remove by grasping the plug - do not pull on the cord.
- Do not use this unit with a programmer timer or any other device that switches the unit 'On' automatically, since a fire risk exists if the unit is covered or positioned incorrectly.
- Avoid the use of an extension cord as the extension cord may overheat and cause a risk of fire.
- Do not plug this unit into an extension lead, double adaptor or power board.
- Do not use the appliance for other than its intended use.
- Do not use outdoors. **FOR INDOOR USE ONLY.**

- This unit is not intended for use in bathrooms, laundry areas or similar moist indoor locations. Never locate the unit where it may fall into a bathtub, sink or any other water container.
- Do not run the power cord under carpeting or cover the power cord with throw rugs, runners, near heat registers, radiators, stoves, heaters or the like. Do not route under furniture or appliances. Arrange the power cord away from traffic areas and where it will not be a hazard to persons.
- **DO NOT PLACE** anything on top of unit.
- **WARNING:** To reduce the risk of fire or electrical shock, do not use this appliance with any solid-state speed control device.
- Do not attempt to repair or adjust any electrical or mechanical functions on this unit. Doing so will void your warranty. The inside of the unit contains no user serviceable parts. All servicing should be performed by qualified personnel only.
- Do not place the power cord over any part of the unit.
- Do not leave the appliance unattended when switched on.
- Do not cover the grill, or operate in close proximity to curtains etc.
- Do not block air circulation. Never block air openings, grills/ outlets or place on a soft surface such as bed or sofa, as this could cause the unit to tip over, blocking the air intake or outtake opening.
- Do not move the machine when it is switched 'On' and in use.
- Always unplug the air purifier before moving it, opening the grill, before changing UV-C globes, changing filters, cleaning or whenever the air purifier is not in use. Be sure to pull by the plug and not the cord.
- Place the machine on a level surface.
- To disconnect the unit, set the main switch to 'OFF' then remove the plug from the outlet.
- This unit has hot electrical parts inside. **DO NOT** use it in areas where gasoline, paint or flammable liquids are used or stored.
- This product must always be used and stored in the upright position.
- The use of attachments or accessories not recommended or sold by the product distributor may cause personal or property hazards or injuries and could void the warranty.
- This product is intended for normal domestic/household use only.
- This appliance is not intended for use by persons (including children) with reduced physical, sensory or mental capabilities, or lack of experience and knowledge, unless they have been given supervision or instruction concerning the use of the appliance by a person responsible for their safety.
- The installation of a residual current device (safety switch) is recommended to provide additional safety protection when using electrical appliances. It is advisable that a safety switch with a rated residual operating current not exceeding 30mA be installed in the electrical circuit supplying the appliance. See your electrician for professional advice.

WARNING

If the supply power cord is damaged, the power cord must be replaced by the manufacturer, its service agent or similarly qualified persons in order to avoid a hazard.

This product has not been designed for any uses other than those specified in this booklet.

UV WARNING: Read the instructions before opening and replacing the UV of the appliance.

This appliance contains a UV-C emitter, unintended use of the appliance or damage to the housing may result in the escape of dangerous UV-C radiation. UV-C radiation may, even in little doses, cause harm to the eyes and skin.

The appliance must be disconnected from the supply before replacing the UV-C emitter.

The appliance that is obviously damaged must not be operated.

The UV-C light on the front of the air cleaner will turn red when it is time to replace the bulb.

Replace the bulb according to the directions then press the UV/HEPA Reset Button and hold for

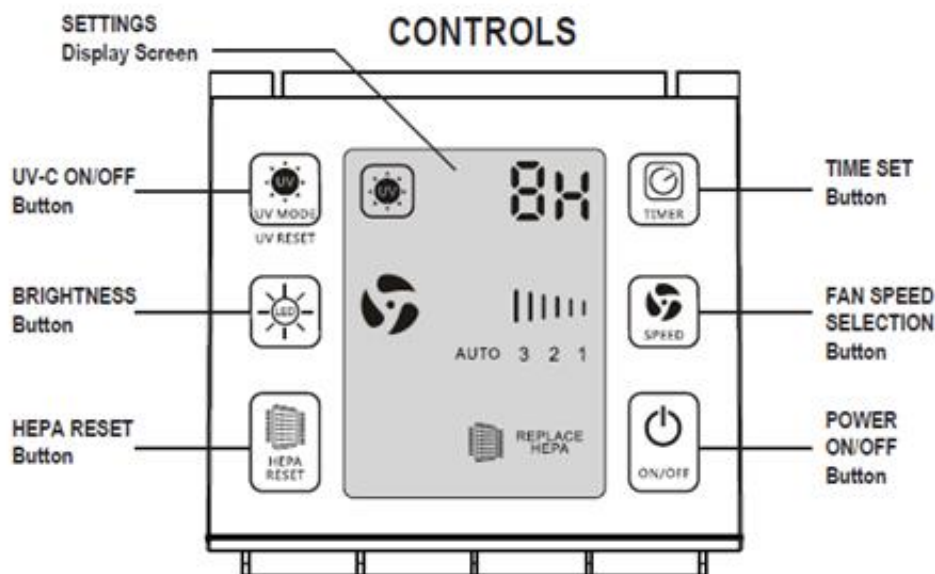
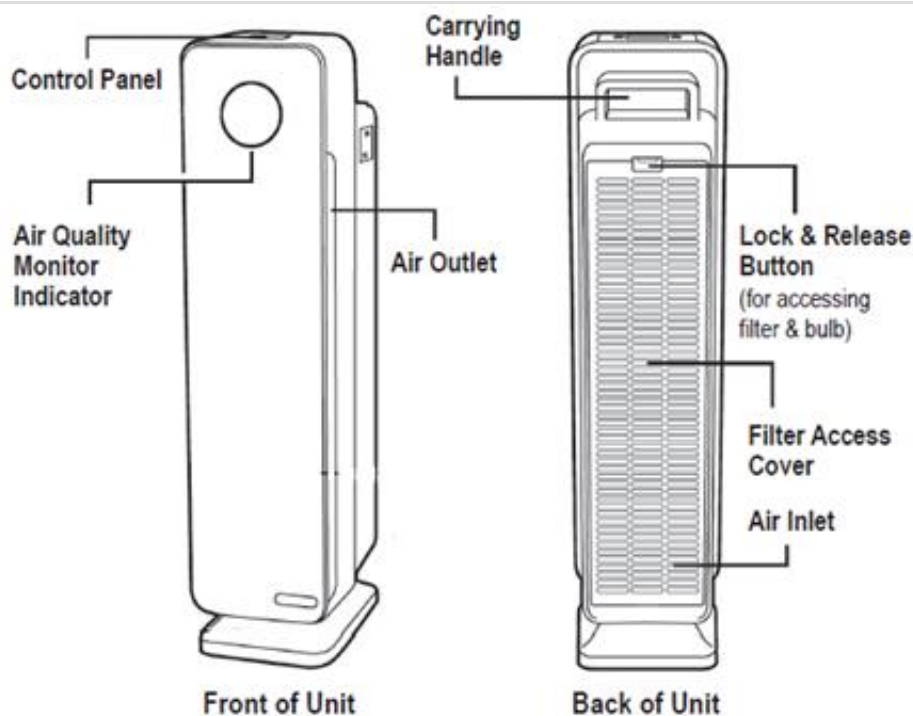
5 seconds to restart the system. The light should remain a constant blue. Please see below UV-C Bulb Replacement to replace the UV bulb.

SAVE THESE INSTRUCTIONS

BEFORE FIRST USE

Before use, remove all packaging and inspect the appliance for any damage. If there appears to be any damage, please take the unit back to place of purchase for a replacement.

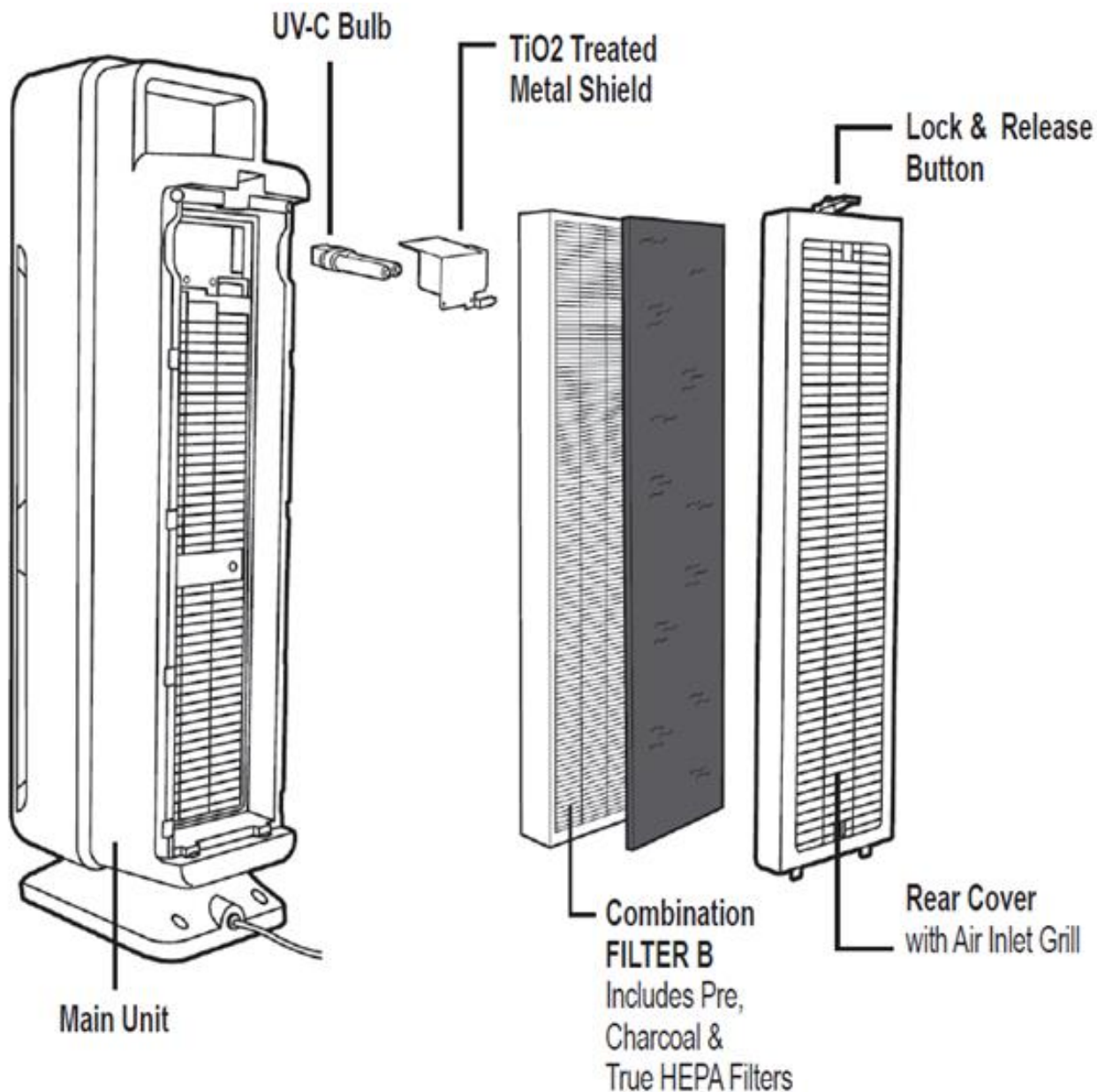
FEATURES



Improve your indoor air quality with your Heller Air Purifier. Multiple levels of cleaning work together to capture allergens kill and destroy germs and remove odors.

The Air quality monitor detects the amount of particles in the air and will automatically adjust the speed of the purifier to optimize room air quality when set in auto mode.

AIR CLEANING LAYERS:



ASSEMBLY

1. Select a firm, level and flat location for the air purifier. For proper air flow, locate the unit at least 300m from any wall or furniture. Make sure none of the grills are blocked.
2. Carefully remove your air purifier from box and bag.

IMPORTANT: When moving the air purifier, always lift unit by carrying handle located on back.

OPERATIONS

1. Plug the power cord into a 220-240Vac outlet.
2. Turn unit power 'ON'.



POWER 'ON/OFF' BUTTON

3. Select fan speed MODE 1-3 :
 - I = Lowest Speed setting
 - II = Medium Speed setting
 - III = Highest Speed setting



FAN SPEED MODE

AUTO MODE: The last fan speed is AUTO. When AUTO is selected, the air purifier will change the fan speeds depending on the air quality level.



AUTO MODE

4. Select UV-C 'ON' or 'OFF' using UV-C Mode Button.



UV-C 'ON/OFF' MODE / RESET BUTTON

5. **TIMER:** If you prefer to run the purifier for a specific number of hours, you can select between 1-8 hours on the display.



TIMER



Air quality monitor: detects the amount of particulate matter (PM) in the air. The circular light on the front panel of the purifier is the air quality indicator. It will change colours, indicating the air quality level in the room. The particulate matter value will be displayed on the circle – see chart next page for reference.

Auto Mode: when "Auto" mode is selected, the Air Purifier will automatically adjust the speed level of the purifier to optimize the room air quality.

Below are the colour/value that can be displayed:

Ring Colour	Particulate Matter Value (Range)	Air Quality Status
Green	0-100	Good
Yellow	101-200	Average
Red	201+	Poor



Filter Replacement Indicator: The Replace HEPA light on the display will illuminate and flash indicating that it is time to replace your filter. Replace the filter according to directions (refer to CARE, CLEANING & MAINTENANCE – FILTER REPLACEMENT) then press and hold TIMER button on your purifier for 5 seconds to reset the system.



UV Bulb Replacement Indicator: The 'UV' light on the display will flash when it is time to replace the UV bulb. Replace the bulb according to direction. (Refer to CARE, CLEANING & MAINTENANCE – INSTALLING AND REMOVING UV-C BULB). To reset the UV-C Replacement indicator, press and hold the UV button to reset system. Hold for 5 seconds and change reset to start.

**** Control Panel Beep/ Sound:** The sound emitted from pressing the buttons on the control panel can be turned off/on by holding the SPEED button for 5 seconds.

CARE, CLEANING & MAINTENANCE

NOTE: If the power cord set of this appliance becomes damaged, discontinue use. Repairs should be undertaken only by a qualified technician.

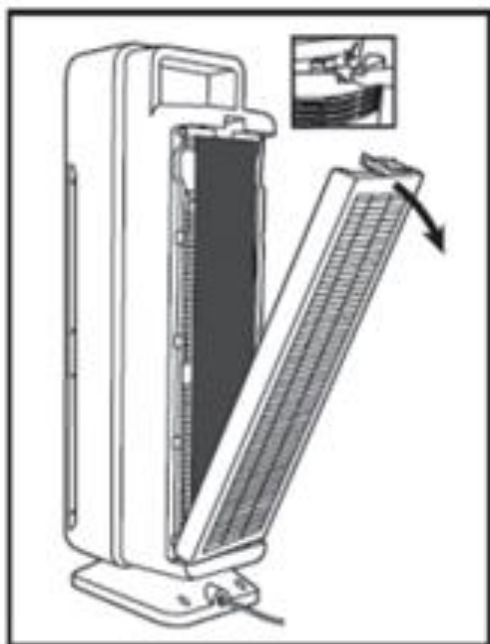
- Your appliance must be switched OFF via the main power supply and unplugged before proceeding with any cleaning.
- To clean the exterior surfaces simply wipe over with a clean, dry soft cloth. Avoid all other types of detergents, cleaners, solvents that may contain chemicals, which could damage parts of the unit.
- Never use flammable or abrasive cleaning agents such as benzene or spirits to clean the appliance.
- Clean the filter monthly with the brush or nozzle of your vacuum cleaner.
- Never immerse the appliance in water.
- Never spray the appliance with liquids or submerge it in water or any other liquid.
- Do not stick any foreign objects or your fingers inside the unit.

To Remove & Clean (or Replace) Filter:

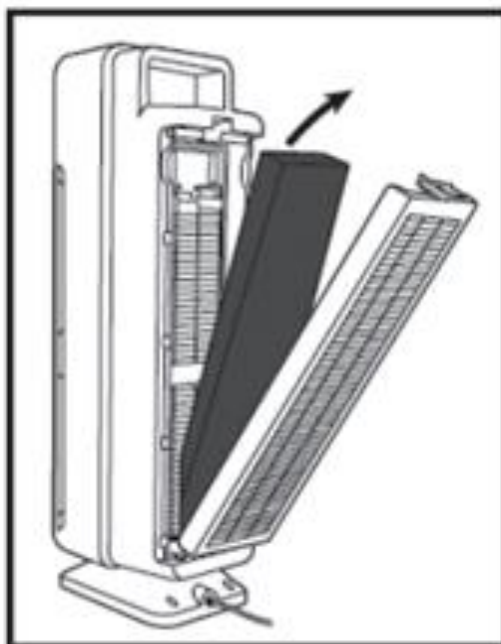


The Replace HEPA light will flash continuously indicating that it is time to replace your filter. Replace the filter according to directions then restart the system. Depending on usage, filter will last approximately 12 months (however this can vary depending on the air quality).

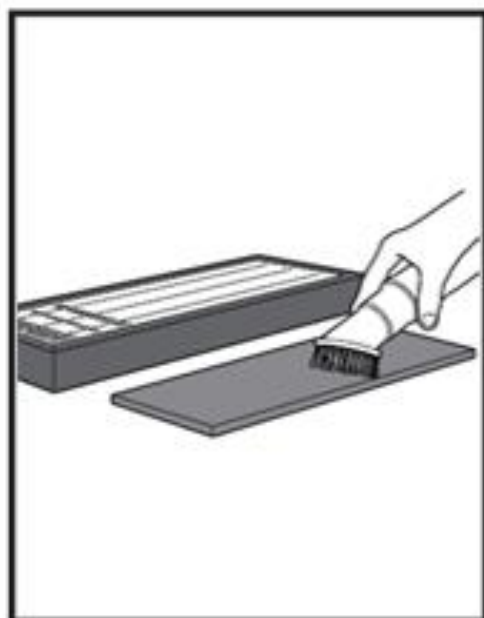
1. Turn off and unplug the unit.



2. Press the lock and release button and remove the rear cover from the unit.



3. Remove the used Combination Filter (Filter B) and dispose of it in the garbage.



4. Separate and clean both filter layers with the brush attachment of your vacuum cleaner to remove lint and dust.

IMPORTANT: Do NOT try to wash and re-use the Combination Filter.



5. Insert Replacement Filter into the unit. Consult the arrow on the filter for correct installation direction.

PLEASE NOTE: Ensure carbon filter faces out when installing the filter system into the unit.

6. To reset the filter indicator press and hold the timer button for 5 seconds.

Checking & Maintaining the Filter:

Maintain the filter by checking it frequently. Depending on air quality conditions and usage, you may need to replace it more frequently.

Vacuum the carbon filter layer as needed to remove loose debris and dust to help prolong the life of your HEPA filter (refer to "Air Cleaning Layers" on page 5).

To check the status of the HEPA filter, peel back the carbon layer to expose the pleated HEPA Filter. If the HEPA Filter is no longer white and is covered in grey dust/ dirt it should be replaced.

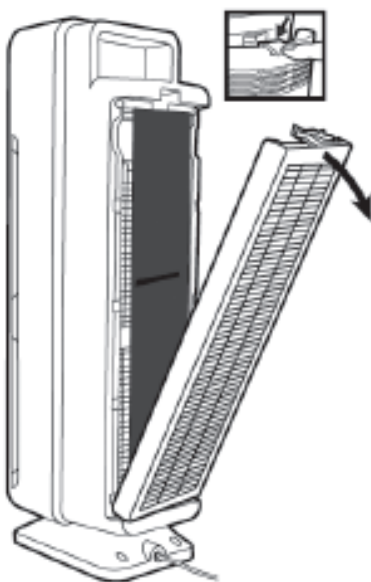
IMPORTANT: Do not try to wash and re-use the Combination Filter.

Installing & Removing the UV-C Bulb:

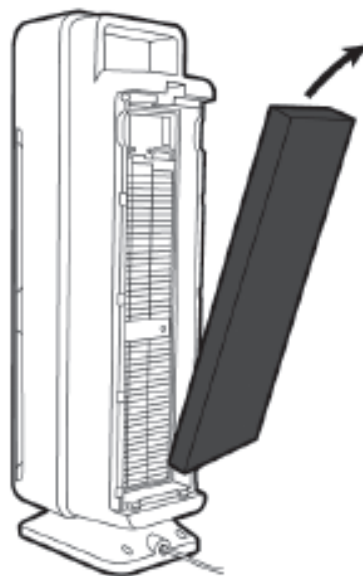
UV Bulb Replacement Indicator - the UV light on the display will flash when it is time to replace the UV bulb.

NOTE: The appliance must be disconnected from the supply before changing the UV-C light bulb (UV-C emitter).

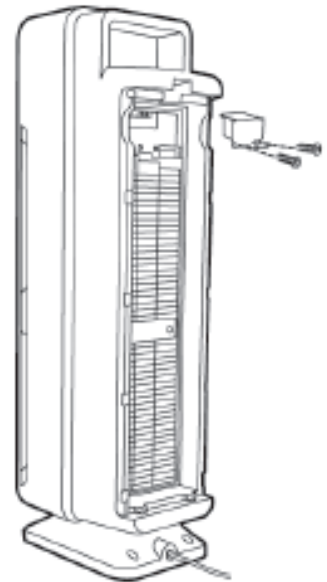
WARNING!: UV radiation is dangerous for the eyes and skin. Do not operate the UV-C emitter (UV-C light bulb) outside the appliance. Please read the Instructions carefully.



1. Turn off and unplug unit.
Press the lock and release button and remove the rear cover from the unit.

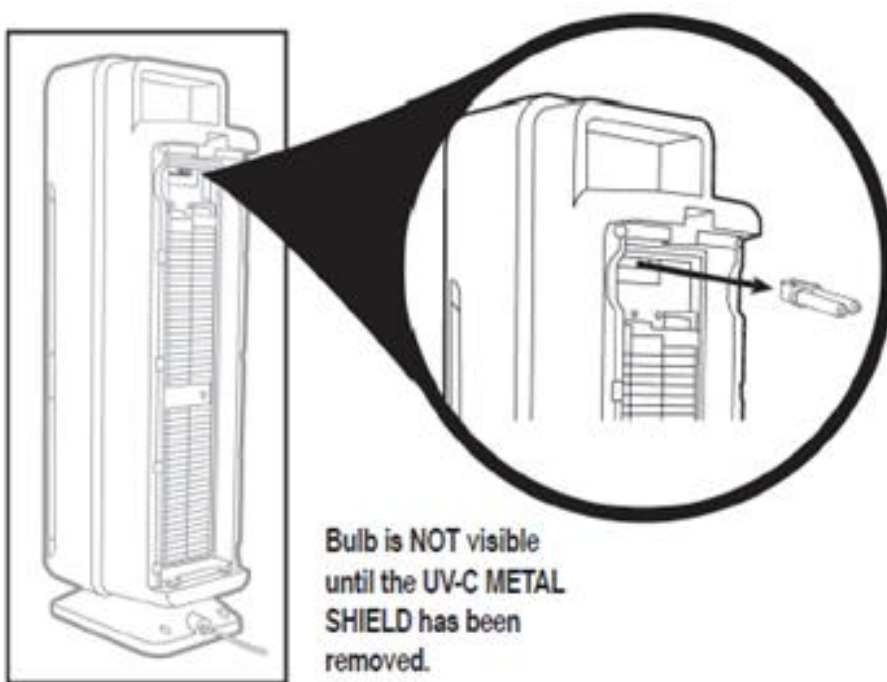


2. Remove the combination filter.



3. Use a Philips head screwdriver to remove 2 screws and detach the UV-C Metal Shield.

4. The UV-C Bulb is removed by carefully grasping the bulb with a clean cloth or tissue and pulling the bulb straight out of the unit.



Bulb is NOT visible until the UV-C METAL SHIELD has been removed.

5. The UV-C Bulb is reinstalled by sliding it, horizontally, back into the slots at the top of the unit.
6. Carefully reposition the metal shield, and replace the 2 screws (do not over tighten).
7. To reset the UV-C Replacement Indicator, press and hold the UV button for 5 seconds.

TROUBLE SHOOTING

PROBLEM	SOLUTION
Unit does not operate.	Check that the unit is plugged in. Check that filter is in place. Confirm that filter is Genuine Replacement Filter.
Unit shuts off unexpectedly.	Check that the unit is plugged into a working electrical outlet. Check that the HEPA Filter is firmly in place. Check that the Rear Cover is latched firmly in place.
No air circulating from unit.	Unplug unit. Check Pre-filter/Charcoal & HEPA filters. Clean Pre-filter/Charcoal if necessary. Replace HEPA filter if necessary.
Increase in noise level.	Make sure the filters are clean. Replace if necessary.
An unpleasant odour is emitted from the unit.	Make sure the filters are clean. Replace if necessary.

SPECIFICATIONS

Model	Description	Voltage	Frequency	Wattage
HAP120	Digital Air Purifier	220-240Vac	50Hz	52W

AUSTRALIAN CUSTOMER SERVICE

GAF Control (Sales) Pty Ltd

P.O Box 19

Altona North Victoria 3025

Phone: 1300 659 489

Hours: 9am-5pm (EST) Mon-Fri

www.gafcontrol.com.au

*This product may vary slightly to the product illustrated due to ongoing product development.