

HELLER

ELECTRIC BLANKETS

USER MANUAL

Model Numbers: HEBQT



**BEFORE OPERATING THIS PRODUCT, READ, UNDERSTAND, AND
FOLLOW THESE INSTRUCTIONS.**

IMPORTANT

Read and follow the instructions in this user manual even if you feel you are familiar with the product, and find a place to keep it handy for future reference.

For your convenience record the complete model number (located on the product identification plate) and the date you received the product, together with your purchase receipt and attach to the warranty and service information. Retain in the event that warranty service is required.

NOTE: The rating of this product (as marked on the product identification plate) is based on specific loading tests. Normal use or the use of other recommended attachments may draw significantly less power.

IMPORTANT SAFEGUARDS

When using any electrically powered product, basic safety precautions should always be followed, including the following:

PLEASE READ ALL INSTRUCTIONS CAREFULLY BEFORE USING THIS PRODUCT

WARNING! - to reduce the risk of fire, electrical shock or injury to persons or property:

- Carefully read all instructions before operating your new product for the first time and save for future reference.
- Remove and safely discard any packaging material and promotional labels before using the appliance for the first time.
- To eliminate a choking hazard for young children, remove and safely discard the protective cover fitted to the plug of this appliance.
- Always operate the product from a power source of the same voltage, frequency and rating as indicated on the product identification plate.
- This appliance is not intended for use by persons (including children) with reduced physical, sensory or mental capabilities, or lack of experience and knowledge, unless they have been given supervision or instruction concerning use of the appliance by a person responsible for their safety.
- Close supervision is necessary when the product is used by or near children or invalids. Children should be supervised to ensure that they do not play with the appliance.
- Use as an under blanket only. Not recommended for futons or similar bedding systems.
- This blanket is not recommended to be used on an adjustable bed. If used on an adjustable bed, check that the blanket or cord cannot be caught or rucked.
- Ensure that the electric blanket is one to suit your mattress – *i.e.* Queen size electric blanket must be used on a Queen size mattress. Do not use Single Bed Blanket on a Double, Queen or King size mattress nor use a Double, Queen or King size blanket on a Single Bed mattress.
- Make sure that the heating area (element) on any side of the bed does not hang over the edge of the mattress; that the means of attachment are adequate and suitable for the particular mattress; and that the instructions which follow are read carefully before using the blanket.
- **Warning: Do not use this blanket with an infant, an infirm person or anyone insensitive to heat and any other very vulnerable persons who are unable to react to overheating. For human use only, not for pets.**
- Children under the age of three are not to use this appliance due to their inability to react to overheating.

- This blanket is not to be used by young children over the age of three unless the controls have been preset by a parent or guardian or unless the child has been adequately instructed on how to operate the controls safely.
- Children should be supervised to ensure that they do not play with the appliance.
- Overlong application at the high setting can result in skin burns.
- Do not tuck in.
- Do not use rucked or folded.
- Keep the control unit away from an open window.
- Do not use pins – they may damage the electric wiring.
- Be sure that this blanket is used only on an alternating current supply circuit of the proper voltage.
- The flexible power supply and switch must, as far as practical, be kept outside the bed.
- Do not switch the power on if the blanket is wet or in a folded state.
- Switch off at the power outlet and remove plug when this blanket is not in actual use.
- This blanket must be kept in the fully spread condition at all times during use to avoid overheating. It is imperative that the blanket be frequently inspected to ensure that this condition is being maintained.
- Bedclothes should not be folded back when the blanket is switched on. Do not leave heavy objects on the bed when the unit is switched on, e.g. folded blankets, or suitcases.
- Arrange the blanket so that it is not beneath pillows and/or bolsters.
- Do not dry-clean this blanket. Cleaning liquids may have a deleterious effect on the installation or covering of the heating unit. It is recommended you follow instructions for localised soiling or hand washing if soiling occurs.
- Persons suffering from bed-wetting should not use product specifically designed for this condition.
- If any abnormality or defect in operation of this blanket is observed, discontinue its use immediately and consult the manufacturer or a licensed electrician.
- The blanket should be examined frequently for signs of wear, either of the blanket, controller or the flexible cord: and if wear is visible, the blanket should be returned immediately to manufacturer or supplier for inspection and overhaul. Servicing, by law, must be undertaken by a qualified and registered person.
- The blanket must not be used over or under a water bed.
- It is recommended that your electric blanket is inspected by a qualified and registered person after 3 years of use.
- When storing, allow it to cool down, fold neatly but not tightly (or roll) without sharp bends in the heating element and store where no other objects will be placed upon it.
- Avoid pressing creases into the appliance.
- This appliance is not intended for medical use in hospitals.
- This appliance is normal domestic/household use only. Not intended for use in hospitals.
- The detachable controller(s) supplied with your electric blanket must only be used when connected to the electric blanket. The controller should not be used and/ or connected to any other appliance or device.

- When storing the appliance, allow it to cool down before folding; do not crease the appliance by placing items on top of it during storage.
- **If the supply cord is damaged, the cord must be replaced by the manufacturer or its service agent or similarly qualified person in order to avoid hazard.**
- Never immerse the cord and controller in any liquids.
- Always turn the power off at the power outlet before you insert or remove a plug. Remove by grasping the plug – do not pull on the cord.
- Use only the type of controller marked on the rating label.
- Do not use together with another heating appliance.
- When in use, ensure the blanket & mains leads do not get trapped.
- The appliance must be returned to the manufacturer or his agent if the link has ruptured.
- Do not leave the appliance running unattended.
- Do not operate the product if it is dropped, damaged or showing signs of product malfunction.
- Switch off and unplug from outlet when the product is not in use and before cleaning the unit.
- The use of attachments or accessories not recommended or sold by the product distributor may cause personal or property hazards or injuries.
- Do not twist or wrap the power cord around the appliance as this may cause the insulation to weaken and split, particularly where it enters the unit.
- Use of an extension cord is not recommended. However, if it is absolutely necessary ensure the cord is short as possible (long cords coiled up can overheat and cause tripping accidents).
- Do not use the appliance on the same socket or electric circuit with other electrical appliances so as to prevent the circuit from being overloaded, which will cause fire. Please do not prolong the power cords by yourself or use movable socket.
- Do not use the appliance for other than its intended use.
- Do not leave your home while the appliance is in function: ensure that the appliance is switched off and disconnect the plug from the power.

READ AND SAVE THESE INSTRUCTIONS FOR FUTURE REFERENCE

SYMBOL EXPLANATION



Read the instructions for use



Do not bleach



Do not tumble dry



Do not iron



Do not dry clean



Do not insert pins



Do not use folded or rucked



Maximum washing temperature 40°C, mild process



Not to be used by very young children (0-3) years

BEFORE FIRST USE

Unwind all the power cord, and remove all package material. Connect the heater to a power source of the same voltage, frequency and rating as indicated on the product rating plate before switching the unit on.

FITTING ELECTRIC BLANKETS

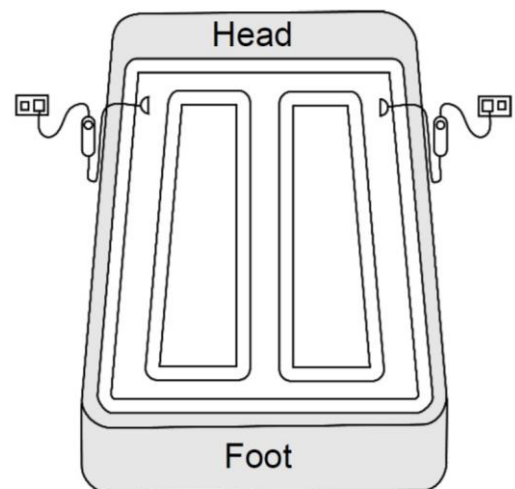
Note: Ensure that the electric blanket is one to suit your mattress. Your electric blanket must be laid on a firm and un-adjustable mattress. The blanket should be laid flat from shoulder to feet when sleeping (if using a mattress protector, this goes over the electric blanket).

Important:

- Place the blanket onto the mattress with the bed controller connection/s at the **HEAD END** of the bed.

Note: Electric blankets **MUST NOT be used** on top of the user (as with a normal blanket); instead they must be firmly secured to the mattress.

- The four clasps on the corners should be fixed tightly to the mattress or the bed after you've laid the electric heating blanket; this prevents the blanket from moving or creasing. (The creased part tends to cause high temperature which is very dangerous.)
- Spread and make sure the blanket is placed evenly over the mattress then ensure that the blanket is flat and crease free.



WARNING: Failure to follow these fitting instructions may trigger the overheat system and render the blanket permanently inoperative. This may invalidate the warranty.

Note: Care should also be taken if you are using continental quilt because heat will build up more quickly than with other bed coverings. A short period may only be needed to reach maximum temperature depending on the insulation density of your quilt. This also applies if using additional bed blankets.

- The electric blanket should not be tucked in at the sides.
- Make your bed in the usual manner.
- After the blanket is secure and fitted correctly, plug the controller/s into the wall power socket and turn on.

Note: Do not plug into a power board, double adaptor or anything similar. The power plug must be inserted directly into the wall power socket.

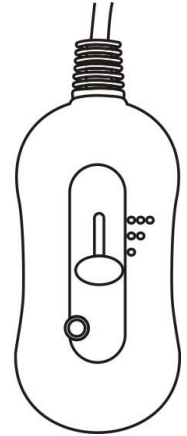
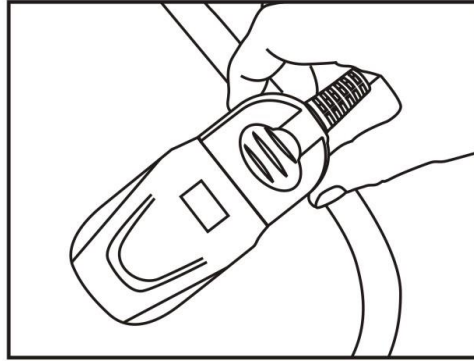
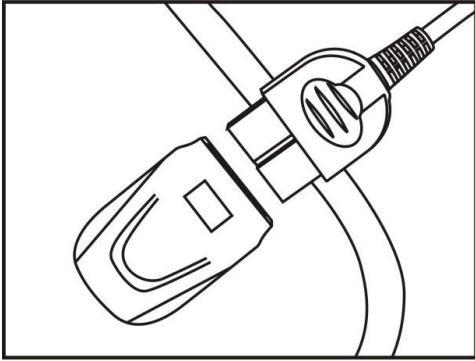
IMPORTANT: DO NOT COVER THE CONTROLLERS AT ANY TIME.

Keep the controllers away from external heat sources. i.e. a heater, fireplace, etc

CONNECTING THE CONTROLLER

Connect the controller to the blanket (the blanket has a socket attached that the controller slots into) and ensure it is fully connected.

Ensure there is a mains supply nearby and that when in use, the mains lead will not be in a position that could cause people to trip over it. When plugged into the mains supply, the controller must be within easy reach of the user.



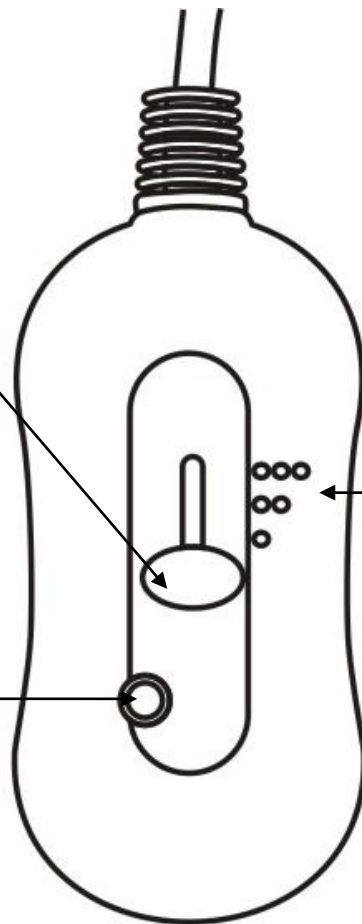
FEATURES OF THE CONTROLLER

HEAT TEMPERATURE

SELECT SLIDE KNOB

POWER INDICATOR

& FIGURE 0/1/2/3



HEAT LEVELS

000	LEVEL 3
00	LEVEL 2
0	LEVEL 1

Slide to bottom to switch off the control (power indicator off)

CONTROLLER OPERATING FUNCTIONS

Please set preheating at the highest tap '3' position 30-60 minutes before using. When using, select the appropriate tap position '1-2-3' according to human body's feeling. If you will go to sleep or use it for a long time, please set at "1" tap position which is the lowest position so as to avoid overheating which may cause human body's discomfort. The indicator will light on when switched on level 1/2/3). Switch off the control when not in use (slide the button to level 0 to turn the unit off; the power indicator light should turn off).

After use:

When the blanket is not in use, please switch the controller to the OFF position; remove the plug from the power socket. If the blanket is not to be used for a long period of time, store the blanket in a cool place.

CLEANING & MAINTAINANCE

The heater requires regular cleaning to ensure trouble free operation:

- **Unplug the appliance from the mains supply before cleaning.**
- **Disconnect the controller/s from the blanket.**
- **DO NOT IMMERSE THE CONTROLLER/S IN WATER OR GET THEM WET.**
- **Clean the surface of the cord with neutral detergent if the cord is dirt and wipe it dry with soft cloth.**
- **Do not dry clean this blanket as it could damage the heating elements.**
- **Do not use industrial solvents such as benzene, kerosene or similar solvents to clean it.**
- **Machine washing of the blanket is possible; however, hand wiping it down will prolong the life of the blanket.**
- **To machine wash the blanket, remove the controller/s and place the blanket in a net bag and seal it. Use a small amount of detergent and set the washing machine to a "Delicate Wash" with a maximum temperature of 40° degrees. When washed, remove the blanket from the net bag and drape it over a clothes line to dry. Do not use clothes pegs to secure it.**
- **Do NOT wring out the blanket.**
- **Do NOT dry using a tumble dryer.**
- **Do NOT iron the blanket.**
- **Do NOT connect it to the mains supply to dry it.**
- **Do NOT use an appliance such as a hair dryer to dry it. Allow the blanket to dry naturally.**
- **Do NOT use the blanket if it is damp or wet.**
- **Do NOT try to repair the blanket if faulty – have it looked at by a qualified person.**

IMPORTANT: Examine the blanket frequently to check that there are no signs of wear or damage. If any damage/wear is spotted, do not use the blanket and seek specialist advice. If the mains lead or controller is damaged, do not open or attempt to repair them as they must be serviced by a qualified person.

STORAGE

- When not in use, allow it to cool down before folding, then gently fold the blanket and place back into the packing bag it arrived in.
- Make sure the blanket is dry before folding and packing it away. The blanket should be hung in a ventilated location to dry naturally.
- Do not use mothproofing agents on the blanket.
- Insulation of the blanket will be damaged if the blanket is dried under the sun, ironing or when mothproofing agents are used. Damage on the insulation materials will cause safety problem.
- Do not crease the appliance by placing items on top of it during storage.
- The blanket should be stored in a cool dry place.

CUSTOMER SERVICE

Australian Customer Service

GAF Control (Sales) Pty Ltd

P.O Box 19

Altona North, Victoria, 3025

Phone: 1300 659 489

Hours: 9am-5pm (EST) Mon-Fri

www.gafcontrol.com.au

*This product may vary slightly to the product illustrated due to ongoing product development.