

HELLER

550W Blender with 1.5L Glass Jug

User Manual

Model Number: MBL550



READ AND SAVE THESE INSTRUCTIONS

IMPORTANT

Please read and follow the instructions in this user manual even if you feel you are familiar with the product, and find a place to keep it handy for future reference.

For your convenience, record the complete model number (located on the product identification plate) and the date you received the product together with your purchase receipt, and attach to the warranty and service information. Retain in the event that warranty service is required.

NOTE: The rating of this product (as marked on the product identification plate) is based on specific loading tests. Normal use or the use of other recommended attachments may draw significantly less power.

IMPORTANT SAFEGUARDS

When using any electrically powered product, basic safety precautions should always be followed, including the following:

PLEASE READ ALL INSTRUCTIONS CAREFULLY BEFORE USING THIS PRODUCT

WARNING! - to reduce the risk of fire, electrical shock or injury to persons or property:

- Carefully read all instructions before operating your new product for the first time and keep handy for future reference.
- Remove and safely discard any packaging material and promotional labels before using the product for the first time.
- Before using, check that the voltage of the wall outlet corresponds to that shown on the rating plate.
- Do not operate any appliance with a damaged cord or plug or after the appliance malfunctions, or is dropped or damaged in any manner. Return appliance to the nearest authorized service facility for examination, repair or electrical or mechanical adjustment.
- Always ensure the appliance is switched OFF, prior to plugging into the power outlet.
- If the supply cord is damaged, it must be replaced by the manufacturer, an authorized service agent or a qualified technician in order to avoid a hazard.
- To protect against risk of electrical shock, do not put the motor base into water or any other liquid. To disconnect, turn the control to "Off", then remove plug from power outlet by grasping the plug, not the cord.
- Close supervision is necessary when any appliance is used by or near children.
- Avoid making contact with moving parts.
- Keep hands and utensils out of container while blending to reduce the risk of severe injury to persons or damage to the blender. A scraper may be used but must be used only when the blender is not running.
- Unplug from outlet when not in use, before putting on or taking off parts, and before cleaning. To disconnect, turn any control to "off", then remove plug from wall outlet by grasping the plug, not the cord.
- To reduce the risk of injury, never place blade assembly on motor unit without the jar properly attached.
- When removing the blender from the motor unit, wait until the blades have completely stopped.
- Always operate blender with lid in place.
- Always use the appliance on a secure, dry level surface.

- Never place this appliance on or near a hot gas or an electric burner or where it could touch a heated appliance.
- Always remove the blade assembly before pouring contents from jar.
- The blade accessory is very sharp, please pay attention for handling the sharp cutting blades during cleaning, emptying the jug and user maintenance.
- Do not use the product, if the blade is curve/bent or damaged.
- Be sure to switch off the appliance after each use. Make sure the motor stops completely before disassembling.
- Do not leave this appliance unattended during use. Always switch off the product and disconnect from supply if it is left unattended and before assembling, disassembling, cleaning or approaching parts that move in use.
- Do not operate this product on or near any hot surfaces (such as gas hob, fireplace, heating appliances).
- Do not remove the jug from the motor base during operation.
- To reduce the risk of injury to persons or property, never use this appliance in an unstable position.
- Do not use outdoors.
- Unplug from outlet when not in use, before putting on or taking off parts, and before cleaning.
- Clean the appliance with a dry cloth.
- **CAUTION:** Never immerse in water, or unplug before inserting and/or removing parts.
- **CAUTION:** DO NOT OPEN LID UNTIL BLADES STOP.
- Do not let the cord hang over the edge of a bench, table or to touch hot surfaces.
- Do not operate product with damp or wet hands.
- Never operate the product without any liquid in the jug.
- Never operate the product empty.
- Never use boiling liquids in this appliance.
- Never try to defeat the interlock switch mechanism. Make sure the accessory is completely installed before operation.
- After use of the appliance, always allow it to cool down before next usage.
- Do not overfill the jug.
- Close supervision is necessary when the appliance is being used near children or infirm persons.
- The use of accessories not recommended by the manufacturer may cause injuries to persons.
- This appliance is not intended for used by persons (including children) with reduced physical, sensory or mental capabilities, or lack of experience and knowledge, unless they have been given supervision or instruction concerning use of the appliances by a person responsible for their safety.
- Children should be supervised to ensure that they do not play with the appliance.
- Do not operate the appliance other than for its intended use. This appliance is for household use only.
- Do not operate the appliance by means of an external timer or separate remote-control system.
- The installation of a residual current device (safety switch) is recommended to provide additional safety protection when using electrical appliances. It is advisable that a safety switch with a rated residual operating current not exceeding 30mA be installed in the electrical circuit supplying the appliance. See your electrician for professional advice.

READ AND SAVE THESE INSTRUCTIONS

FEATURES

A. Small Lid

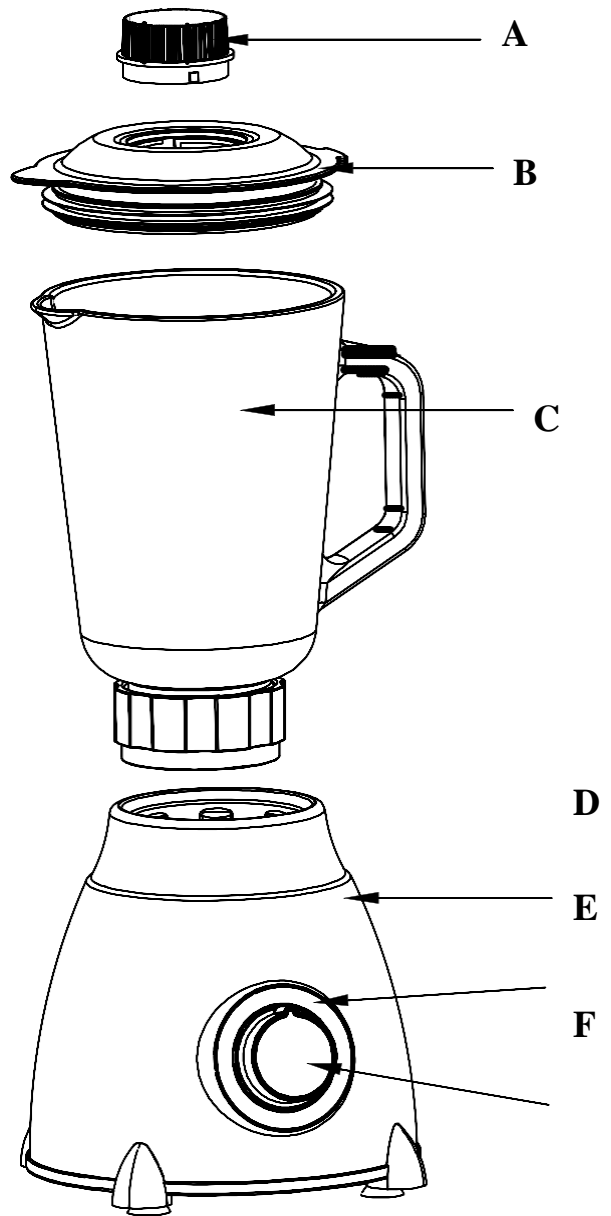
B. Lid

C. Glass Blending Jug

D. Motor Base

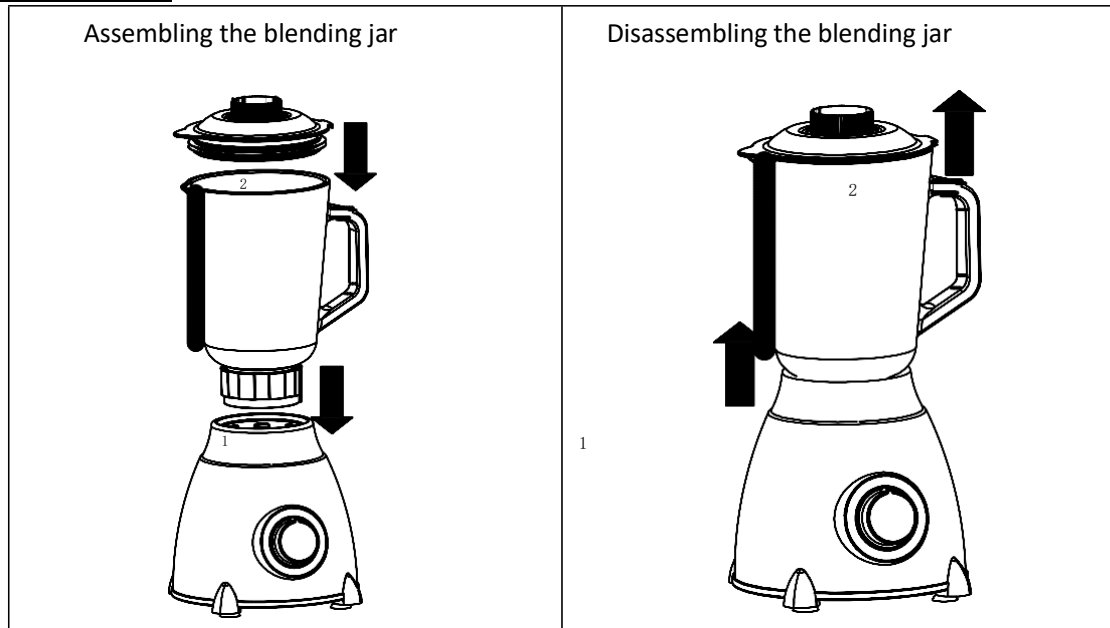
E. LED light

F. Knob of Rotary Switch



ASSEMBLING THE PRODUCT

For Blender Function:



BEFORE FIRST USE

1. Before first use, carefully unpack the Blender and its attachments and remove any packaging material, labels or stickers. Clean all parts except the motor base. Handle the blade with extreme care as it is very sharp.
2. Once all parts have been cleaned and dried thoroughly, reassemble the blender.
3. Place the appliance on a dry, flat and leveled surface.

INSTRUCTIONS

Blender:

1. Peel and/or core desired fruit or vegetables and cut into small pieces.
2. Place the food to be blended into the jug (figure. 7). A certain amount of liquid (water, milk, juice etc) needs to be added to facilitate the smooth running of the appliance. The ratio of food to water is 2:3. The amount of mixture should not exceed the max level mark.

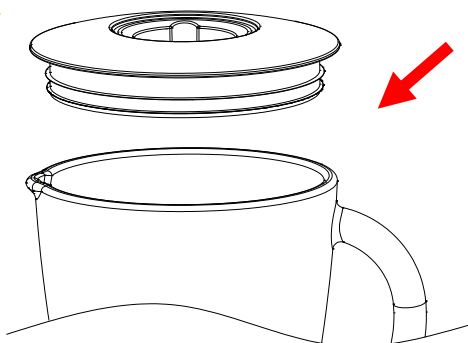


Fig.7

Note: Never use boiling liquids in this appliance, or run the appliance empty.

3. Put the lid on the jar. Be sure the lid is secure before switching on the unit.
4. Plug the power cord into a power outlet.
5. Turn to the appropriate speed on the knob of rotary switch.
6. When blending hard foods, keep one hand firmly on the lid for stability.
7. When the desired consistency is achieved, switch "OFF" unit.

Note: For each use, the operation time should not exceed 1 minute. At least 10 minutes rest time must be maintained between two continuous cycles. Let the unit cool to room temperature before performing the third cycle.

HINTS & TIPS

- For best results, food must be blended with some liquid. Pour the liquid into the jar first, and then add solids.
- Some tasks that cannot be performed with a blender are: beating egg whites, whipping cream, mashing potatoes, grinding meat, mixing dough, extracting juice from fruit and vegetables.
- The following items should never be placed in the blender, as they may cause damage to the unit: bones, large pieces of solid and/or frozen foods, and tough foods such as turnips.

CARE, CLEANING & MAINTENANCE

This product contains no user serviceable parts.

Cleaning & Care:

1. Before cleaning, unplug the blender from the power outlet.
2. For easier cleaning, always rinse/wash immediately after use. Do not let food dry in the jug assembly, as this will make cleaning extremely difficult.
3. Dismantle all detachable parts. Lift the jar assembly off the motor unit.
4. Wash the jug, lid and blades using warm soapy water, then rinse thoroughly. The blades are very sharp, so please handle with care. Do not use harsh detergents, chemical agents or any other liquid.
5. Leave the jug, blades and lid to dry upside down, and away from children.
6. Wipe the motor base with a dry cloth and dry thoroughly. Remove any stubborn spots by rubbing with non-abrasive cleaner. Never immerse the motor base into water.

CAUTION: Never immerse the motor unit in water or any other liquid.

CAUTION: Do not use rough scouring pads or cleansers on parts or finish.

Maintenance:

If the product is operating with an abnormal noise or shaking seriously, please stop use this product immediately! Send back to the service agent to check it. Never repair the product by yourself.

STORAGE

1. Make sure the appliance is clean and dry before putting away for storage.
2. After use the product, please repack the product, and store it in a dry place and avoid sun exposure.
3. Make sure the children could not reach the product.

SPECIFICATIONS

Model	Description	Voltage	Frequency	Wattage
MBL550	550W Blender with 1.5L Glass Jug	220-240V~	50/60Hz	550W

CUSTOMER SERVICE

Australian Customer Service

GAF Control (Sales) Pty Ltd & Maxim Housewares

P.O Box 19

Altona North Victoria 3025

Phone: 1300 659 489

Hours: 9am-5pm (EST) Mon-Fri

www.gafcontrol.com.au

*This product may vary slightly to the product illustrated due to ongoing product development.

WARRANTY

Our goods come with guarantees that cannot be excluded under Australian Consumer Law. You are entitled to a replacement or refund for a major failure and compensation for any other foreseeable loss or damage. You are also entitled to have the goods repaired or replaced if the goods fail to be of acceptable quality and the failure does not amount to a major failure. The above applies subject to the item not being accidentally dropped by the user-or being used for purposes other than the intended use - or being tampered with. Maxim Housewares guarantees the product for 12 months from date of purchase. Refunds or replacements at retail store level are under the guidance of the stores rules/regulations. In the event of requiring assistance, the retailer from whom you purchased the product should be your first port of call.

Supplier warranting this product:

**GAF Control (Sales) Pty Ltd & Maxim Housewares
P.O. Box 19, Altona North
Victoria, 3025, Australia.**

12 months warranty from date of purchase. 90 days warranty from date of purchase if used commercially. If your retailer has not validated your guarantee, then retain your purchase receipt. The guarantee does not cover accidental breakage or damage of your product or if it has been tampered with.

Product Model Number: MBL550

Purchase Date: _____

Retailer: _____

Retailer Store Address: _____

Name of Purchaser: _____

Address: _____

Due to the Maxim policy of continual product development; specifications, colours and details of our products may differ slightly from what is in, or depicted in this user manual or on the product and its carton.

Product: Made in China.

To view the full range of Maxim Housewares products, please go to our website.

www.gafcontrol.com.au

For additional consumer support – email us at:

gaf@gafcontrol.com.au