

## GENERAL CARE

The cabinet can be cleaned with a slightly damp cloth (make sure the mains lead is disconnected from the mains supply). Avoid leaving the clock radio in direct sunlight or in hot, humid, dusty places. Keep the set away from heating appliances and appliances that generate noise, such as fluorescent lamps or motors.

### SPECIFICATION

Power Source	240V ~ 50Hz	Radio Frequency	AM 530-1600kHz
DC Battery	9V (1 x 9V (6F22) not included)		FM 88-108MHz
		Power Consumption	3W

# AM/FM ALARM CLOCK RADIO

WITH NIGHT LIGHT

## INSTRUCTION MANUAL

Red LED display

Snooze Control

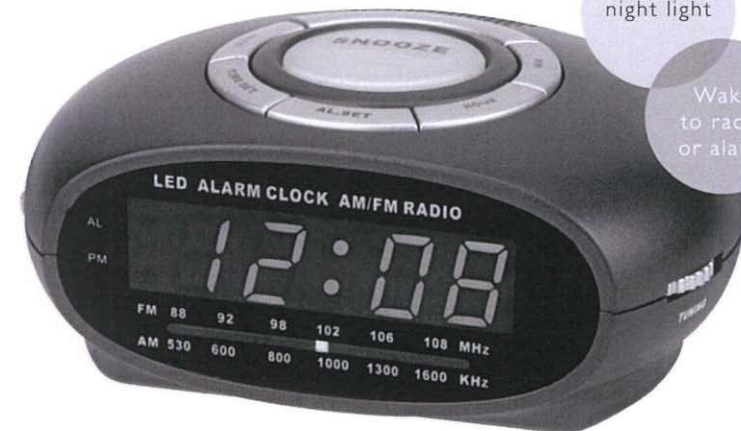
AM/FM Radio

Sleep Function

Battery back-up  
(9V not Incl)

With  
night light

Wake  
to radio  
or alarm



Model No. PCR2426L





The Lightning flash with arrowhead symbol, with an equilateral triangle is intended to alert the user of the presence of uninsulated dangerous voltage within the product's enclosure that may be of sufficient magnitude to constitute a risk of electric shock to persons.

## CAUTION

**RISK OF ELECTRIC SHOCK  
DO NOT OPEN**

CAUTION: TO REDUCE THE RISK OF ELECTRIC SHOCK, DO NOT REMOVE COVER (OR BACK). NO USER SERVICEABLE PARTS INSIDE. REFER SERVICING TO QUALIFIED SERVICE PERSONNEL.  
TO PREVENT ELECTRIC SHOCK, MATCH WIDE BLADE OF PLUG TO WIDE SLOT, FULLY INSERT.



The exclamation point within an equilateral triangle is intended to alert the user of the presence of important operating and maintenance (servicing) instructions in the literature accompanying the appliance.

**WARNING: TO REDUCE THE RISK OF FIRE OR ELECTRIC SHOCK, DO NOT EXPOSE THE APPLIANCE TO RAIN OR MOISTURE.**

## SAFETY INSTRUCTIONS

THESE IMPORTANT SAFETY INSTRUCTIONS ARE INCLUDED, AS APPLICABLE TO THE APPLIANCE, CONVEYING TO THE USER THE INFORMATION ITEMIZED BELOW.

1. **Read instructions** - All the safety and operating instructions should be read before the appliance is operated.
2. **Retain instructions** - The safety and operating instructions should be retained for future reference.
3. **Read Warnings** - All warnings and cautions on the appliance and in the operating instructions should be adhered to.
4. **Follow instructions** - All operating and use instructions should be followed.
5. **Water and Moisture** - The appliance should not be used near water, e.g. near a bathtub, washbowl, kitchen sink, laundry tub, in a wet basement, or near a swimming pool or the like.
6. **Wall or Ceiling Mounting** - The appliance should not be mounted to a wall or ceiling.
7. **Ventilation** - The appliance should be situated so that its location or position does not interfere with its proper ventilation. For example, the appliance should not be situated on a bed, sofa, rug or similar surface that may block the ventilation openings, or placed in a built-in installation, such as a bookcase or cabinet, that may impede the flow of air through the ventilation openings.
8. **Heat** - The appliance should be situated away from heat sources such as radiators, heat registers, stoves, or other appliances (including amplifiers) that produce heat.
9. **Power Sources** - The product should be operated only with the type of power supply indicated on the marking label. If you are not sure of the type of power supply to your home, consult your product dealer or local power company. For products intended to operate from battery power, or other sources, refer to the operation instructions.

## SLEEP CONTROL

1. Turn the AUTO/OFF/ON switch on the "AUTO" or "OFF" position.
2. Press the SLEEP button to display the sleep time. The display will indicate 59 minutes. If you wish the radio to play for a shorter period simply press the SLEEP button together with the MINUTE button to set the desired time period, or if you wish to play longer, press SLEEP button along with HOUR button to play for 1 hour and 59 minutes (MAX).
3. Press the SLEEP button. The radio will turn on automatically and will turn itself off when the pre-set time has passed.

**NOTE:** The maximum sleep time is 1 hour and 59 minutes.

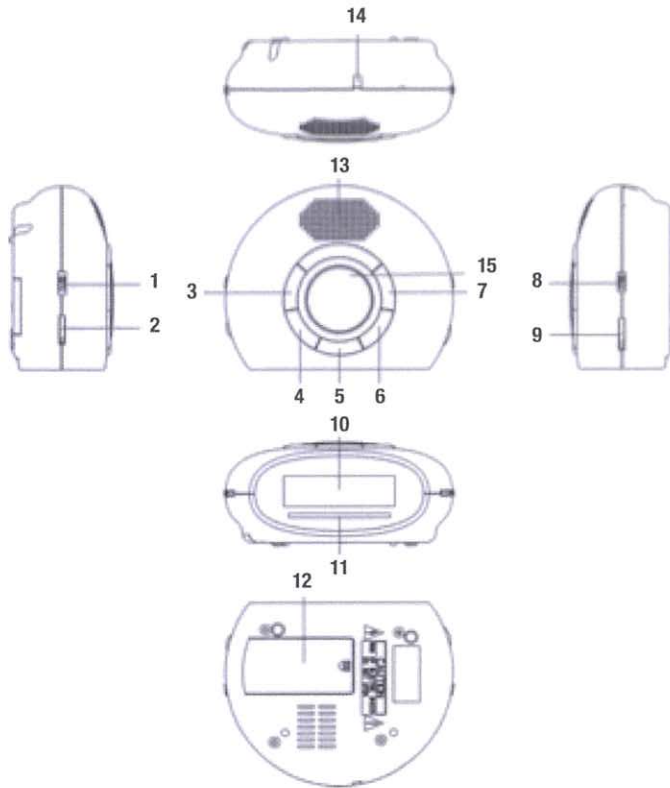
The radio will be switched off automatically when the sleep time expires. To turn the radio off before expiration of sleeping time, simply press the "SNOOZE BUTTON".

## BATTERY BACK-UP

1. Your clock has a battery back up feature in case of power failure. A 9 volt battery (not included) is required. You must put in a battery to ensure the battery back up feature is ready in case of power failure. If power fails, the back up battery will automatically continue operation of the clock and maintain actual time. However, the display will not be lighted. During actual power failure the alarm function will not be operational. When electrical power is restored, the display will light up again and alarm time set previously is restored. The battery will maintain timekeeping for approximately 8 hours during power failure or interruption.

**NOTE:** Remove the battery if the clock is to be unplugged for a long time avoid unnecessary battery drain

## FEATURES



- |                          |                        |                           |
|--------------------------|------------------------|---------------------------|
| 1. ON/OFF/AUTO BUTTON    | 6. HOUR BUTTON         | 11. RADIO STATION DISPLAY |
| 2. VOLUME/ BUZZER BUTTON | 7. MINUTE BUTTON       | 12. BATTERY COMPARTMENT   |
| 3. SLEEP BUTTON          | 8. AM/FM BAND SELECTOR | 13. SPEAKER               |
| 4. TIME SETTING BUTTON   | 9. TUNING KNOB         | 14. AC OUT                |
| 5. ALARM SETTING BUTTON  | 10. LED DISPLAY        | 15. SNOOZE BUTTON         |

## POWER SOURCE

Plug the AC line cord into AC240V 50Hz power outlet. The unit is now working and the display figures will blink to show you it is operating, but not yet set.

## OPERATING INSTRUCTIONS

- ON/OFF/AUTO SWITCH...** slide the switch to turn radio "ON", "OFF" or to "AUTO" position. When the switch is in the "AUTO" position, it will permit automatic turning "ON" and "OFF" of the radio according to the sleep and alarm settings.
- TIME BUTTON...** Press this button simultaneously with the HOUR or MINUTE button to set the desired time.
- ALARM BUTTON...** Press this button simultaneously with the HOUR or MINUTE button to set the desired wakeup time.
- SLEEP BUTTON...** Press this button to display the number of minutes (59 or less) where the radio will sound for 59 minutes and will automatically turn off after then.
- HOUR AND MINUTE button...** Press these buttons to set the time, while pressing the "AL. SET" button, "TIME SET" button or "SLEEP" button.
- AM/FM band selector...** Slide this selector to either AM or FM to select the desired radio band.
- VOLUME KNOB CONTROL...** To regulate the loudness of the radio, rotate the CONTROL clockwise to desired position. If you wish to be awakened preset time by the "Buzzer" rotate the CONTROL counter-clockwise until a "click sound is heard.
- TUNING KNOB...** Turn this knob to the desired radio station.
- SNOOZE BUTTON...** When you are awakened by music or buzzer but wish to sleep a few to sleep a few minutes more, simply touch the "Snooze" button (Snooze Light will goes on) and it will shut off the music or buzzer for 9 minutes before the music or buzzer sounds again. This can be repeated several times.

## TO SET THE TIME

---

Press the TIME button together with the HOUR or MINUTE button to set the correct time.

**Note:** Repeat the above steps if you run past the correct time.

## TO SET THE ALARM

---

1. Press the ALARM SETTING button to check the alarm time.
2. Press the ALARM set button together with the HOUR or MIN button to adjust the alarm time.

**Note:** An AL indicator on the left of the display indicating that the alarm has been set to operate.

## TO PLAY THE RADIO

---

1. Slide the AUTO/OFF/ON switch to the "ON" position.
2. The Snooze Light will also turn on to notify you the radio is on.
3. Slide AM/FM band switch to desired band.
4. Select the desired radio station by turning the Tuning knob.
5. Adjust the Volume to the desired listening level.

## TO WAKE TO RADIO

---

1. Set the alarm as previously instructed.
2. Turn the radio on and select the desired radio station and volume setting as previously instructed.
3. Slide the AUTO/OFF/ON switch to "AUTO" position. Your unit is now set to turn on automatically at the pre-selected alarm time.
4. The SNOOZE light will go on when it is on the pre-set alarm time.

## TO WAKE TO ALARM

---

1. Follow step 1 to step 3 under "TO WAKE TO RADIO"
2. Rotate the VOLUME switch to the "BUZZER" position. You will be awakened at the pre-selected alarm time by the buzzer tone. To turn the Buzzer off, slide the AUTO/OFF/ON switch to the "OFF" position or press ALARM SET/OFF Button.
3. Slide the AUTO/OFF/ON switch to "AUTO" position. Your unit is now set to turn on automatically at the pre-selected alarm time.
4. The SNOOZE light will go on when it is on the pre-set alarm time.

## SAFETY INSTRUCTIONS (continued)

---

10. **Power-Cord Protection** - Power supply cords should be routed so that they are not likely to be walked on or pinched by items placed upon or against them, paying particular attention to cords at plugs, convenience receptacles, and the point where they exit from the appliance.
11. **Cleaning** - Unplug this product from the wall outlet before cleaning. Do not use liquid cleaners or aerosol cleaners. Use a damp cloth for cleaning.
12. **Nonuse periods** - The power cord of the appliance should be unplugged from the outlet when left unused for a long period of time.
13. **Object and Liquid Entry** - Care should be taken so that objects do not fall and liquids are not spilled into the product case through product openings.
14. **Damage Requiring Service** - Unplug this product from the wall outlet and take it to qualified service personnel under the following conditions.
  - a) When the power-supply cord or plug is damaged.
  - b) If liquid has been spilled into, or objects have fallen into the product.
  - c) If the product has been exposed to rain or water.
  - d) If the product does not operate when used according to the operating instructions. Adjust only those controls that are covered by the operating instructions as an improper adjustment of other controls may interfere with the product's normal operation.
  - e) If the product has been dropped or damaged in any way.
  - f) When the product exhibits a distinct change in performance-this indicates a need for service.
15. **Service** - The user should not attempt to service the product beyond that described in the operating instruction. All servicing should be referred to qualified service personnel.
16. **Cleaning** - Unplug this product from the wall outlet before cleaning. Do not use liquid cleaners or aerosol cleaners. Use a damp cloth for cleaning.
17. **Lightning** - For added protection for this product during a lightning storm, or when it is left unattended and unused for long periods of time, unplug it from the wall outlet and disconnect the antenna or cable system. This will prevent damage to the product due to lightning and power-line surges.
18. **Safety Check** - Upon completion of any service or repairs to this product, ask the service technician to perform safety checks to determine that the product is in proper operation condition.
19. **Overloading** - Do not overload wall outlets, extension cords, or integral convenience receptacles as this can result in a risk of fire or electric shock.