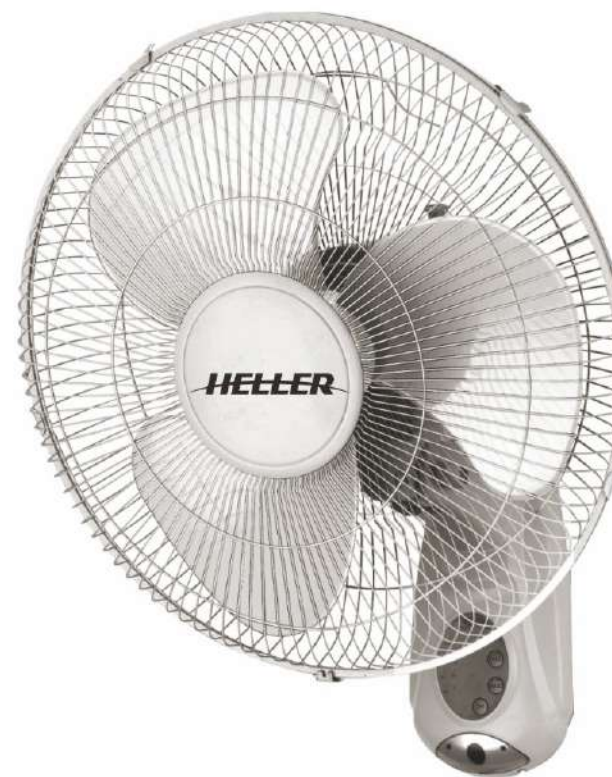


HELLER

Instruction Manual
40cm Wall Fan
With Remote Control
Model: HWAL40R



READ AND SAVE THESE INSTRUCTIONS

Please read and follow the instructions in this user manual even if you feel you are familiar with the product, and find a place to keep it handy for future reference.

For your convenience record the complete model number (located on the product identification plate) and the date you received the product, together with your purchase receipt and attach to the warranty and service information. Retain in the event that warranty service is required.

NOTE: The rating of this product (as marked on the product identification plate) is based on specific loading tests. Normal use or the use of other recommended attachments may draw significantly less power.

IMPORTANT SAFEGUARDS

When using any electrically powered product, basic safety precautions should always be followed, including the following:

PLEASE READ ALL INSTRUCTIONS CAREFULLY BEFORE USING THIS PRODUCT

WARNING!: - to reduce the risk of fire, electrical shock or injury to persons or property:

- Always operate the product from a power source of the same voltage, frequency and rating as indicated on the product identification plate.
- To reduce the risk of electric shock, do not use this fan with any solid state speed control device.
- Remove the unit from its packaging and check to make sure it is in good condition before using.
- Do not let children play with parts of the packing (such as plastic bags).
- Close supervision is necessary when the product is used by or near children or infirm persons.
- Do not allow children to use it as a toy.
- Do not operate any product with a damaged cord or plug, or after the product malfunctions, or is dropped or appears damaged in any way. Return the complete product to the place of purchase for inspection, repair or replacement.
- Before unplugging the power cord, be sure to turn the power off. When touching the unit, be sure your hands are dry to prevent electrical shock.
- Fully remove the power cord from the power cord tidy before use. Always uncoil the power cord before applying power.
- Ensure the fan is mounted on a stable, even wall, which is strong enough to hold it.
- The wall fan must be installed so the blades are at least 2.1m from the floor.
- Never install the unit where it is exposed to direct sunlight, excessive moisture/rain, dust and

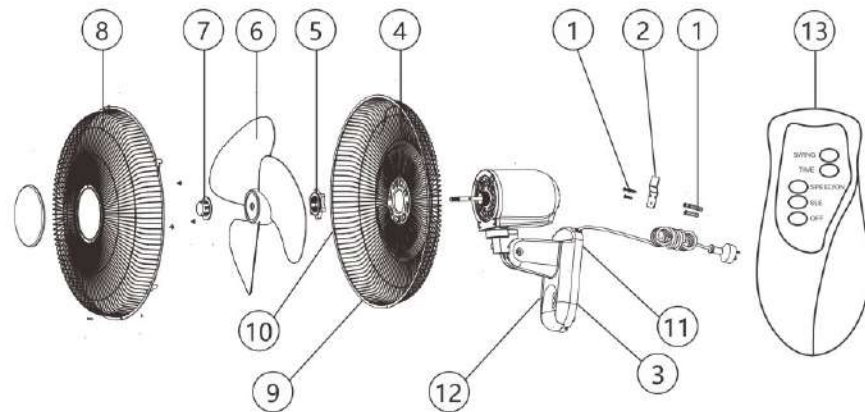
lack of ventilation near any heat sources.

- Avoid making contact with moving parts. Never insert fingers, pencils or any other objects through the guards whenever the power plug is connected, especially while the unit is working.
- To reduce the risk of electric shock, do not immerse or expose the product or flexible cord to rain, moisture or any liquid other than those necessary for correct operation of the product.
- This product should not be used in the immediate vicinity of water, such as bathtub, washbowls, bathroom swimming pool etc. Where the likelihood of immersion or splashing could occur.
- Switch off and unplug from outlet when not in use, before assembling or disassembling parts and before cleaning. Remove by grasping the plug - do not pull on the cord.
- Be sure that no other high current appliances are plugged into the same circuit with your fan as an overload can occur.
- Do not use this unit with a programmer timer or any other device that switches the unit 'On' automatically, since a fire risk exist the unit is covered or positioned incorrectly.
- Avoid the use of an extension cord as the extension cord may overheat and cause a risk of fire.
- Do not plug this unit into an extension lead, double adaptor or power board.
- Do not use the appliance for other than its intended use.
- Do not use outdoors. **FOR INDOOR USE ONLY.**
- This unit is not intended for use in bathrooms, laundry areas or similar moist indoor locations.
- Never locate the unit where it may fall into a bathtub, sink or any other water container.
- Do not run the power cord under carpeting or cover the power cord with throw rugs, runners or the like. Arrange the power cord away from traffic areas and where it will not be a hazard to persons.
- Do not place the power cord over any part of the unit.
- Do not leave the appliance unattended when switched on.
- Do not cover the grill, or operate in close proximity to curtains etc.
- Do not block air circulation.
- Do not move the machine when it is switched 'On' and in use.
- Place the machine on a level surface.
- To disconnect the unit, set the main switch to 'OFF' then remove the plug from the outlet.
- This unit has hot electrical parts inside. DO NOT use it in areas where gasoline, paint or flammable liquids are used or stored.
- Unplug the appliance during filling and cleaning.
- This product must always be used and stored in the upright position.
- Batteries must be inserted into the remote control which must be pointed direct at the unit, using the front portion to activate.
- The use of attachments or accessories not recommended or sold by the product distributor may cause personal or property hazards or injuries.
- This product is intended for normal domestic/household use only.

- Use this fan as described in this manual. Any other uses, not recommended by the manufacturer, may cause fire, electric shock, or injury to persons and may void the warranty.
- This appliance is not intended for use by persons (including children) with reduced physical, sensory or mental capabilities, or lack of experience and knowledge, unless they have been given supervision or instruction concerning the use of the appliance by a person responsible for their safety.
- The installation of a residual current device (safety switch) is recommended to provide additional safety protection when using electrical appliances. It is advisable that a safety switch with a rated residual operating current not exceeding 30mA be installed in the electrical circuit supplying the appliance. See your electrician for professional advice.
- **WARNING:** If the supply power cord is damaged, the power cord must be replaced by the manufacturer, its service agent or similarly qualified persons in order to avoid a hazard. This product has not been designed for any uses other than those specified in this booklet.

SAVE THESE INSTRUCTIONS

PARTS & FEATURES



1) Screws	8) Front Guard
2) Hanging Bracket	9) Safety screw
3) Motor control Assembly	10) Swivel brackets
4) Rear guard	11) Bracket fix
5) Rear guard securing ring	12) Control panel
6) Fan blade	13) Remote control
7) Fan blade securing cap nut	

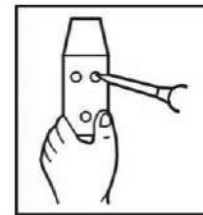
BEFORE FIRST USE

Before use, remove all packaging and inspect the appliance for any damage. If there appears to be any damage, please take the unit back to place of purchase for a replacement.

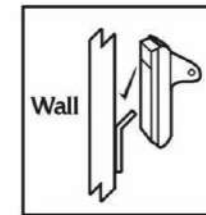
ASSEMBLY INSTRUCTIONS

Please refer to the "Parts & Features" Diagram.

1. Mount the hanging bracket (2) on the wall with the screws (1) provided (Fig.1).
2. Hang the motor and control assembly (3) with the bracket (11) onto the hanging bracket (Fig.2).



(Fig 1)



(Fig 2)

3. Loosen the rear guard securing ring (5) from the motor housing assembly.
4. Position the rear guard (4) firmly to the motor housing assembly and fasten by turning the rear guard securing ring (5) clockwise tightly.
5. Push the fan blade (6) along the motor shaft.
6. Fasten securely, using the fan blade securing unit nut (7) with the spinner by turning anti-clockwise.
7. Mount the front guard (8) to the rear guard, by positioning the hook on the front guard over the top of the rear guard. Secure the two grilles with clips and screw attached to the grill.

OPERATING INSTRUCTIONS

NOTE: Before inserting the plug into a power outlet, make sure that the correct voltage being used corresponds to what is indicated on the rating label, and that the socket has an earth facility.

Remove the cable tie and unravel the cord set before operation. Connect the plug into an electrical socket and switch on at the wall.

SPEED/ON

Press the "SPEED/ON" button. At first start-up the fan will operate at low speed. Press the same button to choose between Low, Medium and High speed.

SWING

Press "SWING" button to switch on the oscillation mode. The fan oscillates from left to right, to stop press the button again.

MODE

There are 3 mode functions; Normal, Natural and Sleep.

TIMER

Press this button repeatedly to change the timer setting. When you press the TIMER button the function is activated. You can set the timer from 0.5 – 7.5 hours, each time you press this button it will increase by 0.5 hours. No obstacles should stand between the remote control and fan otherwise it will not function.

REMOTE CONTROL

The sensor of the remote control must be pointed at the fan receiver to operate properly. The distance between the remote and receiver should be no more than 5 metres from the front, and 30 degrees no more than 3 metres, left to right of the fan.

CARE & CLEANING

NOTE: If the power cord set of this appliance becomes damaged, discontinue use. Repairs should be undertaken only by a qualified technician.

CAUTION: To avoid of electric shock, you must always switch off and unplug the unit before cleaning.

- Your appliance must be switched OFF via the main power supply and unplugged before proceeding with any cleaning.
- Clean the housing with a damp cloth, a vacuum cleaner or a dusting brush.
- To clean the blade and grille assembly, first remove the safety grille, unscrew the locknut and remove the blade from the Wall Fan. Wipe them clean with a slightly damp sponge.
- Never use flammable or abrasive cleaning agents such as benzene or spirits to clean the appliance.
- Never immerse the appliance in water.
- Never spray the Wall Fan with liquids or submerge it in water or any other liquid.
- Store the fan in a clean dry place when not in use.

SPECIFICATIONS

Model	Description	Voltage	Frequency	Wattage
HWAL40R	40cm Wall Fan with Remote Control	220-240V~	50Hz	50W

CUSTOMER SERVICE

Australian Customer Service

GAF Control (Sales) Pty Ltd

P.O Box 19

Altona North Victoria 3025

Phone: 1300 659 489

Hours: 9am-5pm (EST) Mon-Fri

www.gafcontrol.com.au

*This product may vary slightly to the product illustrated due to ongoing product development.