

# HELLER

Instruction Manual

## 92L Retro Bar Fridge

Model: **RBF92**



**READ AND SAVE THESE INSTRUCTIONS**

Please read and follow the instructions in this user manual even if you feel you are familiar with the product, and find a place to keep it handy for future reference.

For your convenience record the complete model number (located on the product identification plate) and the date you received the product, together with your purchase receipt and attach to the warranty and service information. Retain in the event that warranty service is required.

**NOTE:** The rating of this product (as marked on the product identification plate) is based on specific loading tests. Normal use or the use of other recommended attachments may draw significantly less power.

## IMPORTANT SAFEGUARDS

---

**When using any electrically powered product, basic safety precautions should always be followed, including the following:**

PLEASE READ ALL INSTRUCTIONS CAREFULLY BEFORE USING THIS PRODUCT!

**WARNING! - to reduce the risk of fire, electrical shock or injury to persons or property:**

- Always operate the product from a power source of the same voltage, frequency and rating as indicated on the product identification plate.
- Remove the unit from its packaging and check to make sure it is in good condition before using.
- Do not let children play with parts of the packaging (such as plastic bags).
- Close supervision is necessary when the product is used by or near children or infirm persons. Do not allow children to use it as a toy.
- Before unplugging the power cord, be sure to turn the power off. When touching the unit, be sure your hands are dry to prevent electrical shock.
- Improper installation, adjustment, alteration, service or maintenance can cause injury or property damage. Refer to this manual. For assistance or additional information, consult a qualified installer or service agent.
- Keep ventilation openings, in the appliance enclosure or in the build-unstructured, clear of obstruction.
- Do not use mechanical devices or other means to accelerate the defrosting process, other than those recommended by the manufacturer.
- Do not use electrical appliances inside the food storage compartments of the appliance, unless they are of the recommended by manufacturer.
- To reduce the risk of electrical shock, do not immerse or expose the product of flexible cord to rain, moisture or any liquid other than the intended water filler and ice cube tray.
- This product should not be used in the immediate vicinity of water, such as bathtub, washbowl, bathroom swimming pool etc. Where the likelihood of immersion or splashing could occur.
- Never install the unit where it could be subject to:
  - Heat sources such as radiators, heat registers, stoves or other products that product heat.
  - Direct sunlight
  - Excessive dust
  - Mechanical vibration or shock
  - Lack of ventilation, such as book case or cabinet
  - Uneven surface
  - Moisture
- Switch off and unplug from outlet when not in use, before assembling or disassembling parts and before cleaning. Remove by grasping the plug- do not pull on the cord.
- Do not run the power cord under carpet. Do not cover the power cord with throw rugs or runners. Route the power cord away from walking paths so that nobody can trip over it. The cable should be kept away from heat, sharp edges and oil.

- Be sure that no other high current appliances are plugged into the same circuit as your appliance, as an overload can occur.
- Avoid the use of an extension cord as the extension cord may overheat and cause a risk of fire.
- Do not use the appliance for other than its intended use.
- Do not use outdoors. **FOR INDOOR USE ONLY.**
- If positioned next to another fridge or freezer, leave a minimum gap of 2cm between the appliances in order to avoid condensation.
- A clearance of 50mm should be left above the appliance. If this cannot be achieved you should ensure a clearance of 25mm is maintained on each side of the appliance.
- Please ensure that there is a small 'air-gap' between the condenser on the rear of the appliance and the rear wall.
- Do not place or store heavy items on the top of this appliance.
- Ensure that the appliance is positioned upright on a firm flat floor, so that the cabinet is stable.
- This appliance must be level. Adjust the level by screwing the adjustable feet up or down (use your fingers or a suitable spanner).
- Your old appliances contain insulation gases and refrigerant that must be disposed of correctly. Please ensure that the refrigerant circuit is not damaged before the appliance is taken away for correct disposal in line with current legislation. If there is any doubt contact your Local Authority for instructions.
- If using an adaptor, this must be used in accordance with the manufacturer's instructions and ensure that the electrical circuit is not overloaded as this could cause overheating.
- Do not twist or bend the cables, and keep them away from hot surfaces.
- Do not plug in or unplug this appliance with wet hands.
- Make sure that the power cable is not trapped underneath the appliance.
- Allow the appliance to stand for a minimum of 4 hours after installation. Plug in the appliance and switch on at the mains supply.
- Set the thermostat control to the required setting as detailed in the Temperature Control section on the instruction manual.
- Leave the appliance for approximately 4 hours for the correct temperature to be reached.
- Place the appliance close to the wall with a distance not exceeding 75mm
- Locate the appliance in a cool well-ventilated room and make sure that the air vents are clear.
- Try to avoid keeping the door open for a long time, warm air will enter the cabinet and may cause a build up of ice, as well as affecting the energy consumption. Ensure there are no obstructions preventing the door from closing properly.
- Ensure that the door seal is clean and there are no tears or splits.
- Keep the most perishable foods, (those with a short shelf-life, such as cooked meats), in the coldest part of the fridge. The Salad Crisper Box is the warmest part of your fridge and should be used for vegetables, salads and fruits etc. (see Description of Appliance on Page 4).
- Do not overload the fridge: the cooling air that circulates to keep the fridge cold gets blocked and pockets of warm air form.
- If there is a power failure, keep the door closed. When the power has been restored the appliance will start to operate, but it may take some time to achieve the pre-set operating temperature. Check the condition of your stored food items and liquids.
- This appliance contains the refrigerant isobutene (R600a). This is a natural gas with a high level of environmental compatibility and flammability; however, caution is required as isobutene is a flammable gas. It is essential that refrigerant tubes are not damaged during transportation.
- Do not damage the refrigerant coil.
- The use of attachments or accessories not recommended or sold by the product distributor may cause personal or property hazards or injuries.
- This product is intended for normal domestic/household use only.
- Use this unit as described in this manual. Any other uses, not recommended by the manufacturer, may cause fire, electric shock, or injury to persons and may void the warranty.
- This appliance is not intended for use by persons (including children) with reduced physical, sensory or mental capabilities, or lack of experience and knowledge, unless they have been given supervision or instruction concerning the use of the appliance by a person responsible for their safety.

- The installation of a residual current device (safety switch) is recommended to provide additional safety protection when using electrical appliances. It is advisable that a safety switch with a rated residual operating current not exceeding 30mA be installed in the electrical circuit supplying the appliance. See your electrician for professional advice.
- Children should be supervised to ensure that they do not play with the appliance.
- **WARNING:** If the supply power cord is damaged, the power cord must be replaced by the manufacturer, its service agent or similarly qualified persons in order to avoid a hazard.
- This product has not been designed for any uses other than those specified in this booklet.
- **CAUTION:** DO NOT COVER the appliance in any way in order to avoid overheating and fire.
- **CAUTION - RISK OF ELECTRIC SHOCK:** To reduce the risk of electric shock do not open this device, there are not serviceable parts for customers. Please refer any maintenance or repair to qualified personnel.
- When the appliance is not in use for long periods, remove the contents and disconnect from the electricity supply. Then clean the appliance, leaving the door ajar until you wish to use the appliance again.
- **WARNING:** Do not store explosive substances such as aerosol cans with a flammable propellant in the appliance.
- This appliance is intended to be used in households but is not intended to be used in applications such as:
- staff kitchen areas in shops, offices and other working environment;
  - farm houses and by clients, motels and other residential type environment;
  - bed and breakfast type environments;
  - catering and similar non-retail appliances.
- When disposal of the appliance, it must be done by the manufacturer or its service agent or a similarly qualified person in order to avoid fire and other hazard.

**SAVE THESE INSTRUCTIONS**

## BEFORE FIRST USE

---

Before use, remove all packaging materials and inspect the appliance for any damage. If there appears to be any damage, please take the unit back to place of purchase for a replacement.

## OPERATING INSTRUCTIONS

---

**NOTE:** Before inserting the plug into a power outlet, make sure that the correct voltage being used corresponds to what is indicated on the rating label, and that the socket has an earth facility.

**CAUTION:** Select a suitable location for the appliance. Always choose a safe location in accordance to the safely recommendations outlined.

**NOTE:** You may hear bubbling sounds when the refrigerant is pumped to the cooling system and through the coils or tubing at the rear of the appliance. When in operation mode you may hear a slight whirring sound or pulsating noise. The thermostat controls the operation of the compressor, and you may hear a slight click as it cycles in and out.

**IMPORTANT:** During high ambient temperatures e.g. on hot summer days, it may be necessary to set the thermostat to the coldest setting (position 7). This may cause the compressor to run continuously in order to maintain a low temperature in the cabinet.

### A. Switching on the Appliance :

- Allow the appliance to stand for a minimum of 4 hours after installation. Plug in the appliance and switch on at the mains supply.
- Set the thermostat control to the required setting as detailed in the Temperature Control section (3.2.).
- Leave the appliance for approximately 4 hours for the correct temperature to be reached.
- Place the appliance close to the wall with a distance not exceeding 75mm

### B. Temperature Control:

The temperature selector knob is located on the right hand side of the inner cabinet (see Description of the Appliance on page 4). Please note that this unit does not have a freezer compartment. It has a freezer box which maintains a cooling temperature.

- Setting "0": Unit Off
- Setting "1": Unit On – Warmest Temperature
- Setting "3" Normal Operation (adequate for most situations)
- Setting "7": Coldest Temperature

## STORING & FREEZING FOOD IN THE FREEZER-BOX

---

This appliance has a two star freezer-box and is suitable for the long-term storage of frozen food items. It can also be used for freezing and storing fresh food items.

You should always follow the storage guidelines printed on each food produce packaging, however the following information is provided as a general guide for the maximum storage life of frozen items:

- Fresh Meat and Poultry – up to 6 months
- Cooker Meats – up to 2 months
- Fresh Fish – up to 6 months
- Fruit and Vegetables – up to 8 months
- Bread and Cakes – up to 3 months

## ENERGY SAVING ADVICE

---

- Do not install the appliance close to sources of heat, such as a cooker, dishwasher or radiator.
- Locate the appliance in a cool well-ventilated room and make sure that the air vents are clear.
- Try to avoid keeping the door open for a long time, warm air will enter the cabinet and may cause a build up of ice, as well as affecting the energy consumption. Ensure there are no obstructions preventing the door from closing properly.
- Ensure that the door seal is clean and there are no tears or splits.
- Keep the most perishable foods, (those with a short shelf-life, such as cooked meats), in the coldest part of the fridge. The Salad Crisper Box is the warmest part of your fridge and should be used for vegetables, salads and fruits etc.
- Do not overload the fridge: the cooling air that circulates to keep the fridge cold gets blocked and pockets of warm air form.

## IN THE EVENT OF A POWER FAILURE

---

If there is a power failure, keep the door closed. When the power has been restored the appliance will start to operate, but it may take some time to achieve the pre-set operating temperature. Check the condition of your stored food items and liquids.

## CARE & CLEANING

---

**NOTE: If the power cord set of this appliance becomes damaged, discontinue use. Repairs should be undertaken only by a qualified technician.**

**NOTE:** When the appliance is not in use for long periods, remove the contents and disconnect from the electricity supply. Then clean the appliance, leaving the door ajar until you wish to use the appliance again.

To keep your domestic refrigerator operating efficiently and safely, periodic inspection and cleaning of several components once a month is recommended.

#### **CLEANING YOUR REFRIGERATOR:**

- For safety reason, switch off and unplug the appliance from outlet before cleaning. Remove by grasping the plug – do not pull on the cord.
- Remove the shelf and wipe down. Place it in a secure place, and replace it after the interior of the refrigerator has been wiped clean.
- Wipe the inside and the outside of the refrigerator with a damp cloth, using lukewarm water.
- If the refrigerator is very dirty, wipe it with a neutral detergent first, then use a clean cloth to dry it.
- Do not use other types of detergents, cleaners, abrasive powder or solvents which may contain chemicals that could damage the lacquer coat and plastic surface of the refrigerator.

#### **INTERNAL CLEANING:**

Clean the interior and accessories with warm water and bicarbonate of soda (5ml to 0.5 litre of water). Rinse and dry thoroughly. Do not use detergents, abrasive powders, highly perfumed cleaning products, wax polishes or cleaning products containing bleach or alcohol.

#### **EXTERNAL CLEANING:**

Wash the outer cabinet with warm soapy water. Do NOT use abrasive products. There may be sharp edges on the underside of the product, so care should be taken when cleaning. Once or twice a year dust the rear of the appliance and the compressor at the back of the appliance, with a brush or vacuum cleaner, as an accumulation of dust will affect the performance of the appliance and cause increased energy consumption.

#### **DEFROSTING:**

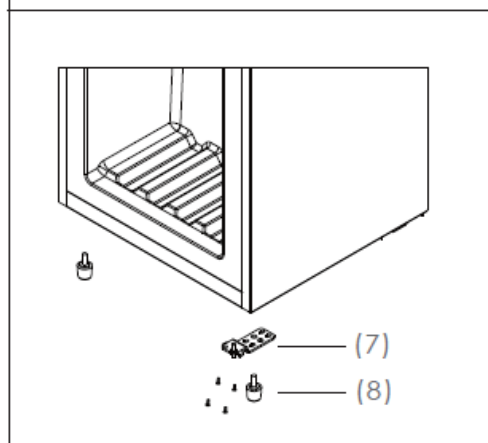
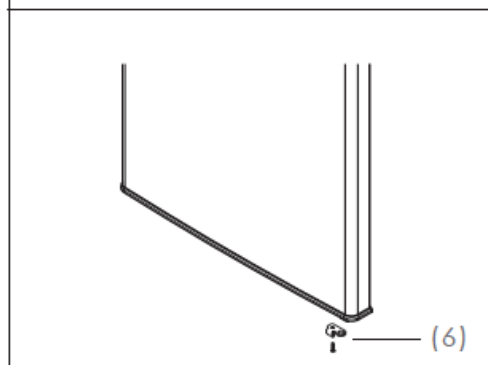
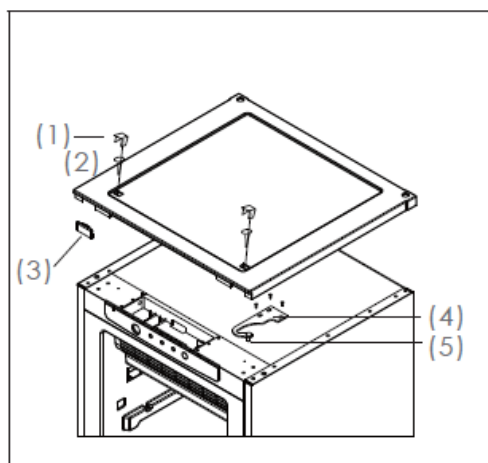
If ice builds up in the ice-box and exceeds 3-5mm, empty the contents and switch off the appliance. Also leave the door open and allow the ice to melt. **Do not use sharp objects to scrape the ice away.** Clean and dry the interior, close the door and turn on the power to the appliance. When the power has been restored, the appliance will start to operate but it may take some time to achieve the pre-set operating temperature.

#### **CHANGING THE INTERIOR LIGHT BULB:**

- Switch off the power supply to the appliance.
- Remove the screw from the light cover and remove the cover.
- Unscrew the bulb from the rear of the light unit.
- Replace the bulb with a suitable replacement (ensure it has the same wattage).
- Refit the cover and switch the appliance back on.

## REVERSING THE DOOR

**WARNING!:** When reversing the door, the appliance must not be connected to the mains. Remove the plug from the mains beforehand.



The door opening can be reversed from “right hand hinged” to “left hand hinged” if required. If your appliance is supplied “left hand hinged” simply reverse the following procedure.

### STEPS:

- Remove the retaining screws and the Top Hinge (2)
- Remove the plastic Upper Hinge Cover (1)
- Lift the door off the Lower Hinge (4).
- Remove the retaining screws and the Lower Hinge (4)
- Remove the Hinge Pin and Foot from the Lower Hinge (4), turn the hinge over and refit the Hinge Pin and Foot.
- Remove the Foot (5) from the left hand side and refit on the right hand side. Now fit the Lower Hinge (4) to the pre-drilled holes on the opposite side of the cabinet
- Now fit the Lower Hinge (4) to the pre-drilled holes on the opposite side of the cabinet
- Remove the Plastic Caps (6) from the top left hand side and refit on the right hand side.
- Locate the Door (3) onto the Lower Hinge (4) and refit the Top Hinge.
- Ensure that the door closes and seals correctly – tighten all the screws.
- Refit the Top Hinge Cover (1) .



## TROUBLE SHOOTING GUIDE

---

When there is something wrong with your refrigerator, check the following points before asking for repair.

PROBLEM	CAUSE	REMEDY
The Appliance does not operate.	The Appliance is not switched on.	Switch on the appliance.
	Mains plug is not plugged in or is loose.	Insert mains plug.
	Fuse has blown or is defective.	Check fuse, replace if necessary.
	Socket is defective.	Mains malfunctions are to be corrected by an electrician.
Appliance cools too much.	Temperature is set too cold.	Turn the temperature regulator to warmer setting temporarily.
	Temperature is not properly adjusted.	Please check the "IMPORTANT SAFEGUARDS" section to learn how to adjust the temperature regulator.
Food is too warm.	Door was opened for an extended period of time.	Open the door only as long as necessary.
	A large quantity of warm food was placed in the appliance within the last 24 hours.	Turn the temperature regulator to a cooler setting temporarily.
	The appliance is near a heat source.	Please check the "IMPORTANT SAFEGUARDS" section to learn how to adjust the temperature regulator to offset the heat source, or find another suitable place.
Heavy build up of frost, possibly on the door seal.	Door seal is not air tight (possibly after reversing the door).	Carefully warm the leaking sections of the door seal with a hair dryer (on a cool setting). At the same time, shape the warmed door seal by hand such that it sits correctly.
Unusual noise.	Appliance not level.	Readjust the foot.
	Appliance is touching the wall of others.	Move the appliance slightly.
	A component e.g. a pipe on the rear of the appliance is touching another part of the appliance or the wall.	If necessary, carefully bend the component out of the way.
The compressor does not start immediately after changing the temperature setting.	This is normal, no error has occurred.	The compressor starts after a period of time.
Water on the floor or on the storage shelves.	This is normal because of condensation.	Wipe the floor with a dry cloth.

## FOR YOUR SAFETY

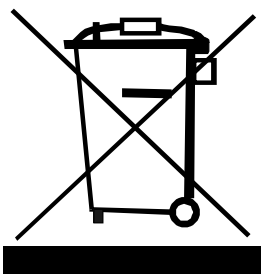
---

- Always check full refrigerator operation as detailed above before returning the unit as faulty.
- It is not advised to loosen any parts which are fixed by screw, contact the manufacturer for advice.
- Do not operate the unit with a damaged cord or plug, or after the unit malfunctions, or is damaged in any manner. Return the complete unit to the place of purchase for in-warranty replacement, or inspection and repair.
- **CAUTION:** To reduce the risk of electric shock, DO NOT remove the cover (or back whilst the unit is in operation or connected to the mains supply.
- In some products, the replacement of flexible cords by the user is not intended. Special tools are required to safely replace the cord. Return the complete product for inspection and repair.

**DANGER!:** Never try to repair a faulty – or what is thought to be a faulty machine yourself. This can jeopardize your life or the lives of subsequent users. Leave repairs to electrical equipment to authorized technicians.

## DISPOSAL

---



### Environmental Protection

Waste electrical production should not be disposed of with household waste.

Please recycle where facilities exist. Check with your Local Authority or retailer for recycling advice.

## CUSTOMER SERVICE

---

### Australian Customer Service

GAF Control (Sales) Pty Ltd

P.O Box 19

Altona North Victoria 3025

Phone: 1300 659 489

Hours: 9am-5pm (EST) Mon-Fri

[www.gafcontrol.com.au](http://www.gafcontrol.com.au)

\*This product may vary slightly to the product illustrated due to ongoing product development.