

# Tiffany

## **Spray Mop with Two Tanks**

### **User Manual**

Model Number: TM200



READ AND SAVE THESE INSTRUCTIONS

## IMPORTANT

---

Please read and follow the instructions in this user manual even if you feel you are familiar with the product, and find a place to keep it handy for future reference.

For your convenience, record the complete model number (located on the product identification plate) and the date you received the product together with your purchase receipt, and attach to the warranty and service information. Retain in the event that warranty service is required.

## IMPORTANT SAFEGUARDS

---

**When using any electrically powered product, basic safety precautions should always be followed, including the following:**

PLEASE READ ALL INSTRUCTIONS CAREFULLY BEFORE USING THE PRODUCT.

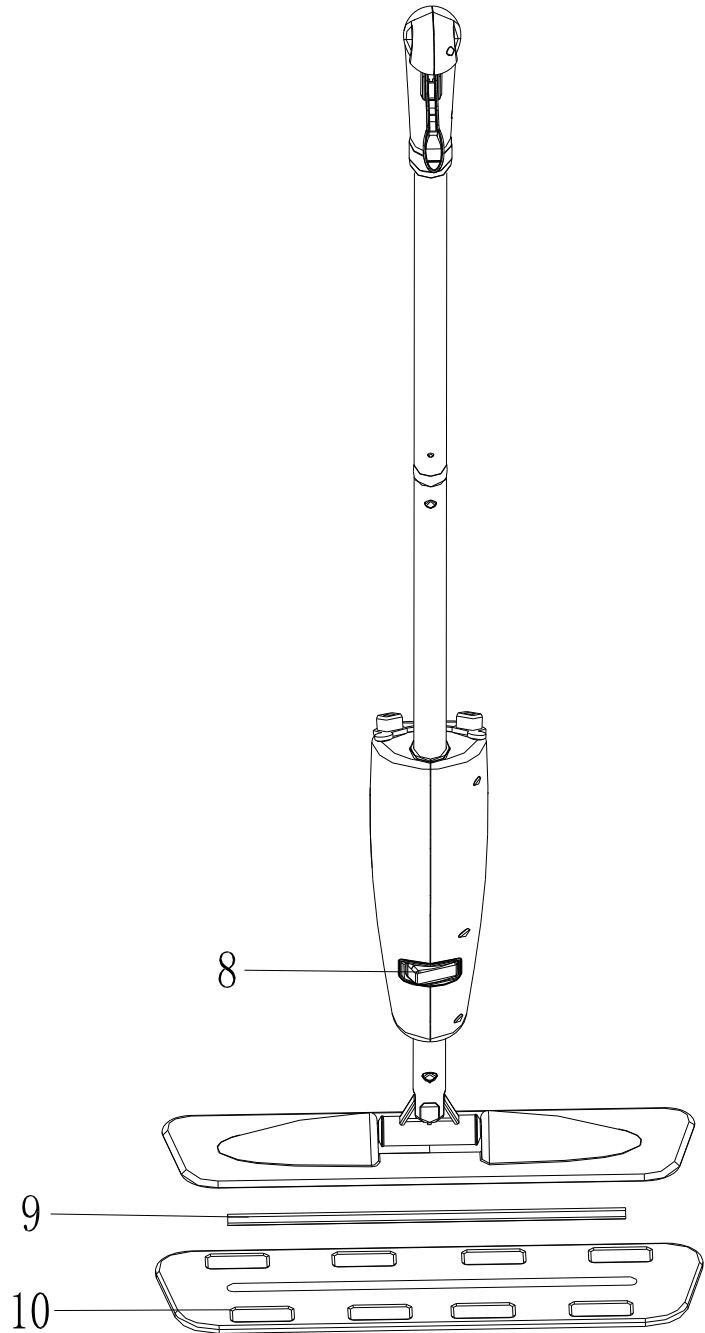
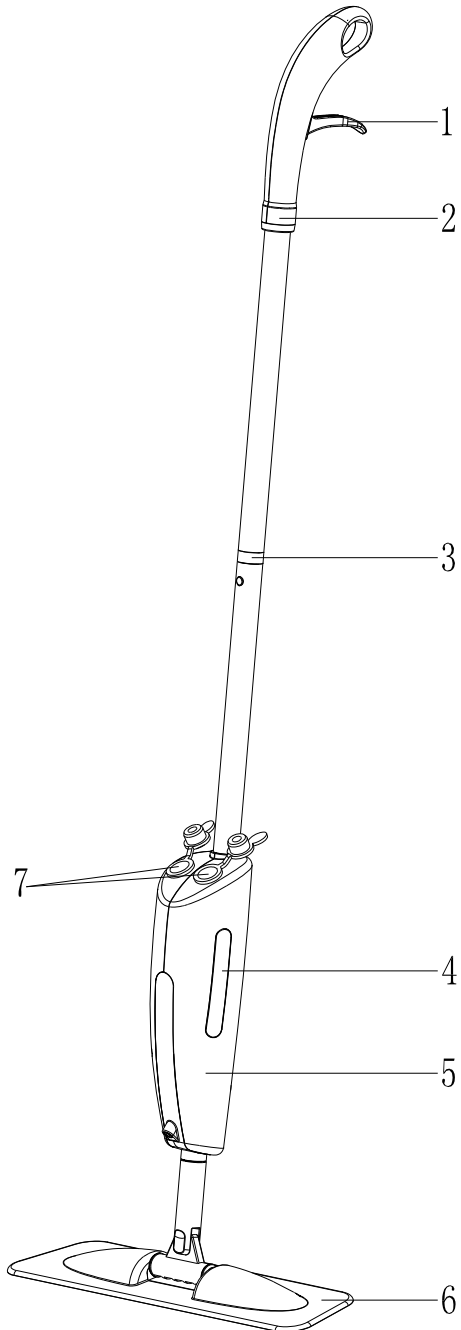
**WARNING** - to reduce the risk of fire, electrical shock or injury to persons or property:

- Close supervision is necessary when the product is used by or near children, pets, plants or invalids. Do not allow children to use it as a toy.
- Do not operate the product if it appears damaged in any way. The unit is not to be used if it has been dropped, if there are visible signs of damage or if it is leaking. Return the complete product to the place of purchase for inspection, repair or replacement.
- Never place or operate the unit where any part of it could come into contact with any hot surface (such as a gas or electric hot plate or heated oven).
- Do not handle plug or the unit with wet hands or operate without shoes.
- Do not insert any objects into any openings. Do not use unit if any openings are blocked.
- Do not use the appliance for other than its intended use.
- Do not use without floor cloth in place. Do not use without water in the water tank.
- When using on stairs, use extra caution.
- Store your unit indoors in a cool, dry area.
- Keep your work area well lighted and visible.
- Do not use this appliance outdoors.
- The use of attachments or accessories not recommended or sold by the product distributor may cause personal or property hazards or injuries.
- This product is intended for normal domestic/household use only.
- This appliance is not intended for use by persons (including children) with reduced physical, sensory or mental capabilities, or lack of experience and knowledge, unless they have been given supervision or instruction concerning use of the appliance by a person responsible for their safety.
- Children should be supervised to ensure that they do not play with the appliance.
- Do not immerse the unit into water or any other liquids.
- Never block the steam openings of the product or place it on a soft surface, where the steam openings may be blocked. Keep the steam openings free of lint, hair, and the like.
- Keep the appliance out of reach if children when it is energized or cooling down.
- Use only water in the water tank & certain detergent products in the detergent tank.
- The spray mop is designed to thoroughly clean floor surfaces, such as marble, ceramic, stone, linoleum, sealed hardwood floors and parquet.
- Do not operate the unit if another high wattage appliance is used on the same circuit, in order to avoid a circuit overload.

## FEATURES

---

1. Water Spray Switch
2. Handle
3. Pipe Connector
4. Water & Detergent Tank
5. Main body
6. Mop Hand
7. Water & Detergent Tank Cover
8. Double Tank Switch
9. Rubber Strip
10. Mop Pad with Velcro

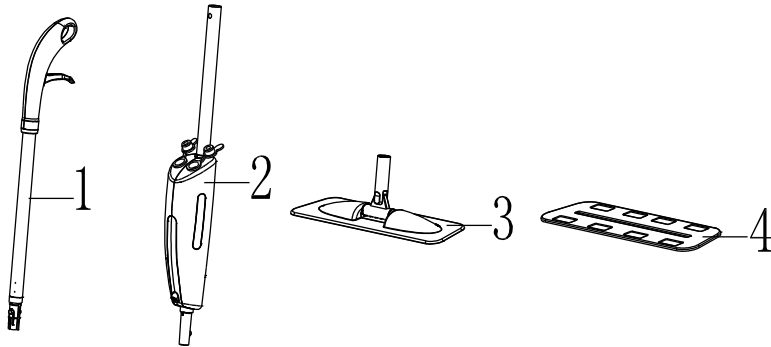


## BEFORE FIRST USE

Before use, remove all packaging and inspect the appliance for any damage. If there appears to be any damage, please take the unit back to place of purchase for a replacement.

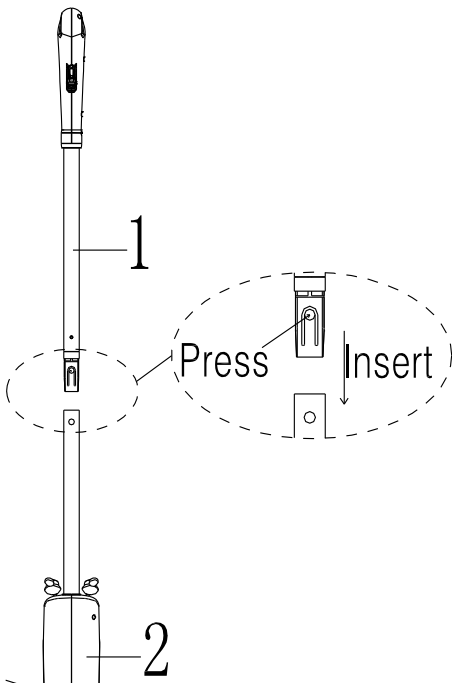
## ASSEMBLY INSTRUCTIONS

1. When the package is removed, the following components need to be assembled: Handle, Main Body, Mop Head and the Mop Pad with Velcro (See Figure 1).

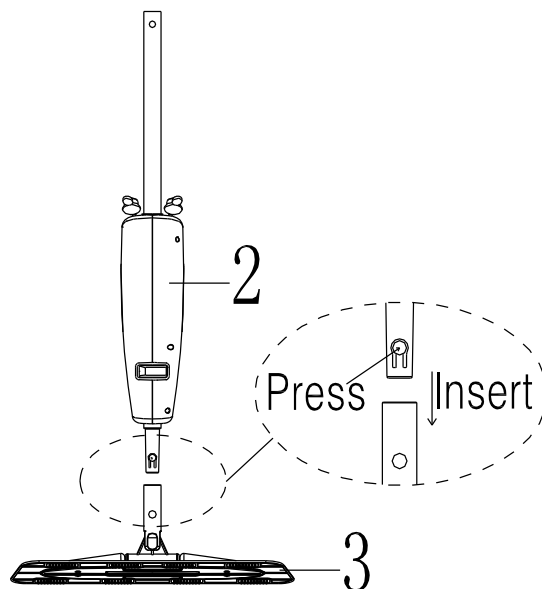


**Figure 1**

2. Insert the telescopic pole into the main body, and gently press the telescopic pole until it is locked into place (See Figure 2).
3. Insert the main body to the mop head, and gently press the main body until it is locked into place (See Figure 3).

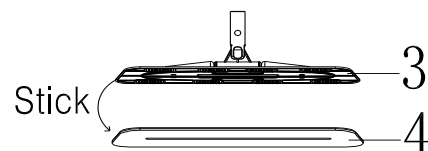


**Figure 2**



**Figure 3**

4. Stick the mop pad to the mop head (See Figure 4).



**Figure 4**

## USAGE INSTRUCTIONS

---

1. After the appliance is fully assembled, remove the cover on the water tank (Mark C on Figure 5), fill in water to the maximum mark (Mark B on Figure 5). The cover the water tank (See Figure 5). **NOTE:** Avoid overfilling.
2. The appliance has two tanks on the left (Water Tank) and right (Detergent Tank). To change the switch freely, press the button; left for the water tank spray and right for the detergent tank spray (See Figure 6).
3. Stick the mop pad when using (Mark E on Figure 6), and put away when cleaning.
4. Press the spray water switch (Mark A on Figure 5); it can spray water mist and then it can reset automatically.

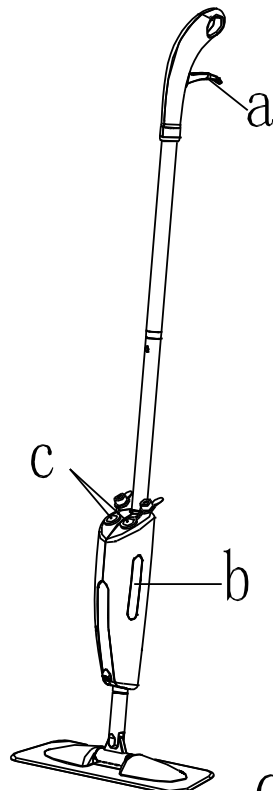


Figure 5

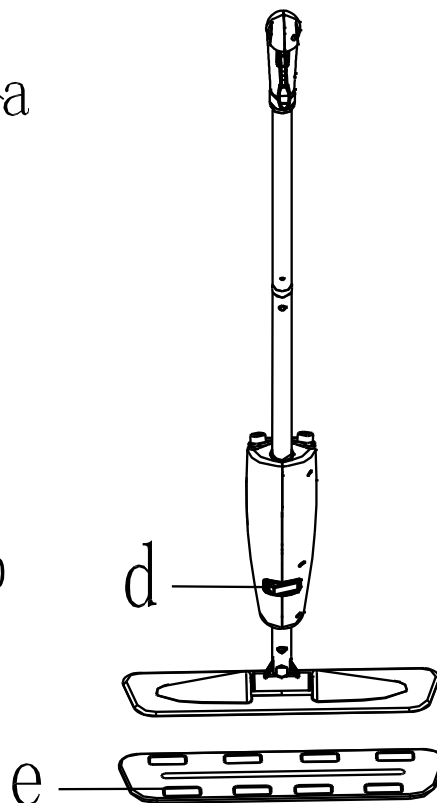


Figure 6

## CUSTOMER SERVICE

---

### Australian Customer Service

GAF Control (Sales) Pty Ltd

P.O Box 19

Altona North Victoria 3025

Phone: 1300 659 489

Hours: 9am-5pm (EST) Mon-Fri

[www.gafcontrol.com.au](http://www.gafcontrol.com.au)

\*This product may vary slightly to the product illustrated due to ongoing product development.