

HELLER

Instruction Manual

Mini Cooler 3.5W

Model: HMC02



READ AND SAVE THESE INSTRUCTIONS

Please read and follow the instructions in this user manual even if you feel you are familiar with the product, and find a place to keep it handy for future reference.

For your convenience record the complete model number (located on the product identification plate) and the date you received the product, together with your purchase receipt and attach to the warranty and service information. Retain in the event that warranty service is required.

NOTE: The rating of this product (as marked on the product identification plate) is based on specific loading tests. Normal use or the use of other recommended attachments may draw significantly less power.

IMPORTANT SAFEGUARDS

When using any electrically powered product, basic safety precautions should always be followed, including the following:

PLEASE READ ALL INSTRUCTIONS CAREFULLY BEFORE USING THIS PRODUCT

WARNING! - to reduce the risk of fire, electrical shock or injury to persons or property:

- Read all instructions.
- Always operate the product from a power source of the same voltage, frequency and rating as indicated on the product identification plate.
- Avoid touching moving parts of the appliance.
- Do not use the appliance for any other purpose other than its intended use.
- Do not operate this product with a damaged cord or plug, or after the product malfunctions, or appears damaged in any way. If the supply cord is damaged, it must be replaced by the manufacturer or its service agent or a similarly qualified person in order to avoid a hazard.
- Always switch off the appliance before unplugging it.
- The appliance is not intended for use by young children or infirm persons unless they have been adequately supervised by a responsible person to ensure that they can use the unit safely. Young children should be supervised to ensure that they do not play with the appliance.
- This appliance is not to be used by children or persons with reduced physical, sensory or mental capabilities, or lack of experience and knowledge unless they have been given supervision or instruction.
- Do not leave the appliance unattended when switched on. Switch off the appliance even if you have to leave for even a short period of time.
- The unit must always be stored and transported upright.
- Always unplug the appliance before dismantling, assembling, cleaning or changing any parts of the appliance, or when it's not in use. Remove by grasping the plug- do not pull on the cord.
- Never immerse the appliance in water or any other liquid.
- Remove the unit from its packaging and check to make sure it is in good condition before using.
- Do not let children play with parts of the packaging (such as plastic bags).
- Close supervision is necessary when the product is used by or near children or infirm persons. Do not allow children to use it as a toy.
- Before unplugging the plug, be sure to turn the power off. When touching the unit, be sure your hands are dry to prevent electrical shock.
- Never install the unit where it is exposed to direct sunlight, excessive moisture/rain, dust and lack of ventilation near any heat sources.
- Do not place in direct sunlight for extended periods of time.

- Always place the fan on a stable, level surface when operating to prevent the fan from overturning. Do not run the power cord under carpet. Do not cover the power cord with throw rugs or runners. Route the power cord away from walking paths so that nobody can trip over it. The cable should be kept away from heat, sharp edges and oil.
- To reduce the risk of electric shock, do not immerse or expose the product or flexible cord to rain, moisture or any liquid other than those necessary for correct operation of the product.
- This product should not be used in the immediate vicinity of water, such as bathtub, washbowls, bathroom swimming pool etc. Where the likelihood of immersion or splashing could occur.
- Be sure that no other high current appliances are plugged into the same circuit as your fan, as an overload can occur.
- Avoid the use of an extension cord as the extension cord may overheat and cause a risk of fire.
- Do not use outdoors. **FOR INDOOR USE ONLY.**
- Do not cover the grill, or operate in close proximity to curtains etc.
- The use of attachments or accessories not recommended or sold by the product distributor may cause personal or property hazards or injuries.
- This product is intended for normal domestic/household use only.
- Use this fan as described in this manual. Any other uses, not recommended by the manufacturer, may cause fire, electric shock, or injury to persons and may void the warranty.
- **WARNING:** If the supply power cord is damaged, the power cord must be replaced by the manufacturer, its service agent or similarly qualified persons in order to avoid a hazard.
- This product has not been designed for any uses other than those specified in this booklet.
- **CAUTION:** Never insert your fingers or any other objects (hair, clothes, utensils, knives, screw drivers etc.) into the openings of the guard or close to the blade when the appliance is connected to the power supply.
- **CAUTION:** DO NOT COVER the appliance in any way in order to avoid overheating and fire.
- **CAUTION - RISK OF ELECTRIC SHOCK:** To reduce the risk of electric shock do not open this device, there are not serviceable parts for customers. Please refer any maintenance or repair to qualified personnel.
- Do not use the appliance near gas or other flammable liquids.
- Do not block the air outlet or the air inlet ventilation.
- Do not use spray (insecticides, paint) or any other flammable products near the appliance as the plastic may become deformed. The unit may also sustain electrical damage.
- Ensure that the appliance is positioned on a flat, large, dry surface without any obstacles nearby.
- Do not place items on top of the appliance.
- If the appliance has not been used for extended periods of time, empty the water tank, turn the unit on, and set to highest fan speed for at least 4 hours. This will dry out the filter and inside of your unit.
- If a leak or spill occurs on the surface of device, unplug the appliance and let it dry for 24 hours. Then use as normal.
- Do not carry the appliance when filled with water. Some water may remain in the unit even if tank is empty.
- Use only clean water. If needed, use distilled water.
- A replaceable water filter is designed specifically for this product. If your cartridge has been broken or damaged, you can purchase a replacement.

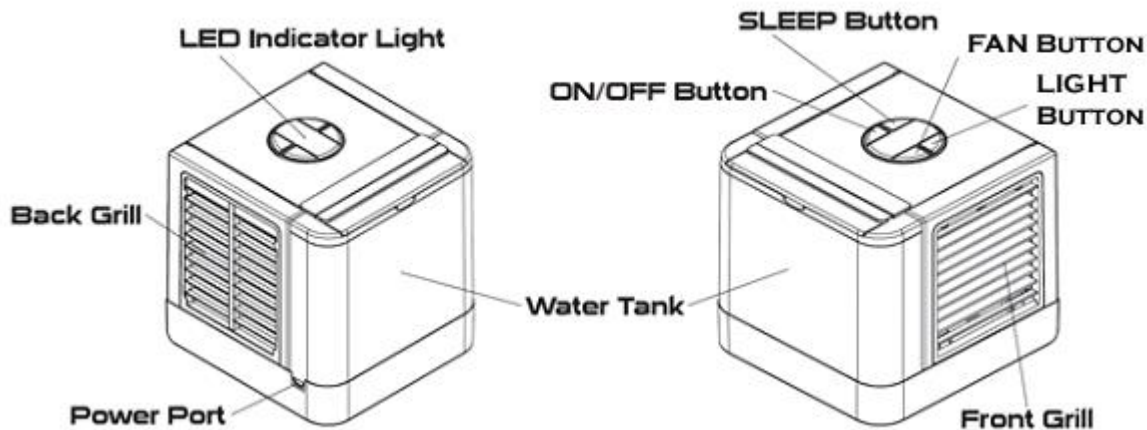
**THE MANUFACTURER WILL NOT ASSUME ANY RESPONSIBILITY FOR NON-COMPLIANCE OF INSTRUCTIONS.
KEEP THIS USER MANUAL FOR FUTURE REFERENCE.**

SAVE THESE INSTRUCTIONS

BEFORE FIRST USE

Before use, remove all packaging and inspect the appliance for any damage. If there appears to be any damage, please take the unit back to place of purchase for a replacement.

PARTS & FEATURES



OPERATING INSTRUCTIONS

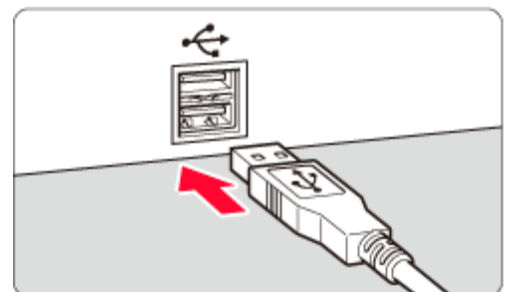
CAUTION:

- Select a suitable location for the unit. Always choose a safe location in accordance to the safely recommendations outlined.
- The fan should always be switched off when making any adjustments to the fan head angle.
- Always keep the unit upright.
- Ensure that the appliance is positioned on a flat, large, dry surface without any obstacles nearby.

1. Ensure the unit is on the Power 'OFF' before plugging the USB in.
2. Insert the USB Plug into the USB socket from the device you are using (making sure it is plugged in the correct position – please refer to image on the right)
3. Press the Power button 'ON/OFF' for 3 seconds to turn on the fan
4. You can adjust the fan speed by pressing the "FAN" button. There are 3 Speeds to choose from: low, medium and high.
5. Choose your LED light colour by pressing the "LIGHT" button. Please hold the button for at least 3 seconds in order to change the colours.

Colour Order:

- | | | |
|-----------|---------------|-----------|
| 1) Red | 4) Green | 7) Purple |
| 2) Yellow | 5) Light Blue | 8) White |
| 3) Blue | 6) Orange | |

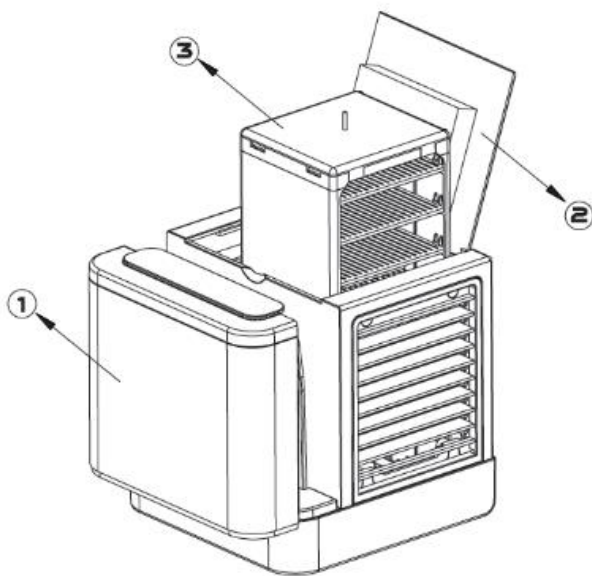


- To turn on the sleep mode, press the "SLEEP" button. To turn off the sleep mode, press the "SLEEP" button once again.
- When you have finished using the appliance, press the "ON/OFF" button for at least 3 seconds to turn off the unit.

NOTE:

- Unplug the fan from the USB socket when it is not in use or left unattended.
- We recommend running the appliance on "HIGH" Fan speed for at least 5 minutes before powering off to allow for drying.
- Let filter absorb water for at least 3 minutes after filling tank and before use. Doing so will get you the coolest air quicker.

CHANGING THE FILTER



The water filter should be changed every once a month, or when you feel the appliance is not functioning as it should be.

1. Turn off the appliance before unplugging it from the USB socket.
2. Take out the water tank from the appliance (1).
3. Open the control panel (2).
4. Take out the filter from the appliance (3).
5. Place the new filter in the appliance as shown by markings on filter.
6. Close the control panel.
7. Place the water tank back onto the appliance.

CARE & CLEANING

NOTE: If the power cord set of this appliance becomes damaged, discontinue use. Repairs should be undertaken only by a qualified technician.

CAUTION: To avoid of electric shock, you must always switch off and unplug the unit before cleaning.

- Your appliance must be switched OFF via the main power supply and unplugged before proceeding with any cleaning.
- Clean the housing with a damp cloth, a vacuum cleaner or a dusting brush.
- We recommend lightly running a vacuum cleaner brush nozzle over the fan grill to remove any dust or dirt that may have accumulated.
- Never use flammable or abrasive cleaning agents such as benzene or spirits to clean the appliance.
- Never immerse the appliance in water!

- Avoid all other types of detergents, cleaners, solvents that may contain chemicals, which could damage parts of the unit.
- If the unit will not be used for a long period of time, store in a dry place.

SPECIFICATIONS

Model	Description	Voltage	Wattage
HMC02	Mini Cooler 3.5W	DC5V	3.5W

ENVIRONMENTALLY FRIENDLY DISPOSAL



This marking indicates that this product should not be disposed of with other household waste. To prevent possible harm to the environment or human health from uncontrolled waste disposal, recycle it responsibly to promote the sustainable re-use of material resources. To dispose of your appliance correctly, please contact or take it to your local refuse/ recycling centre. Alternatively, contact your local council or information on your local re-use centre. Please make this product environmentally safe for recycling.



CUSTOMER SERVICE

Australian Customer Service

GAF Control (Sales) Pty Ltd

P.O Box 19

Altona North Victoria 3025

Phone: 1300 659 489

Hours: 9am-5pm (EST) Mon-Fri

www.gafcontrol.com.au

*This product may vary slightly to the product illustrated due to ongoing product development.