

## INSTALLATION INSTRUCTIONS AND HOLE-CUTTING TEMPLATE

### BLUETOOTH EXHAUST FAN AND LIGHT

#### Dear customers:

Thank you for selecting the HELLER Ceiling Exhaust Fan and Light.  
Please read all instructions before commencing installation.

**IMPORTANT:** The HELLER Ceiling Exhaust Fan and Light must be installed to comply with the appropriate council regulations and the Australian and New Zealand wiring rules AS/NZS3000:2000 or latest edition thereof.

This ceiling exhaust fan must only be installed by a licensed Electrician. All electrical connection and disconnection are to be performed by a licensed electrician.

The interconnecting cables required for installation of this appliance are not included, suitable cabling no lighter than ordinary duty cable rated at a minimum 10A load rating is to be used when wiring this appliance.

A certificate of compliance must be provided by the Electrician after the installation is completed.

#### WARNING

1. Use this unit only as described in this manual. Any other use not recommended by the manufacturer may cause fire, electric shock, injury to persons or unit to malfunction. If you have questions, contact the manufacturer or local agent.
2. All wiring must be carried out by a licensed Electrician in accordance with all applicable National/local codes and standards. Also check with the local council regulations regarding installation of exhaust fan and light.
3. Make sure the power is off before the installation.
4. When cutting into the wall. Do not damage electrical wiring and other hidden utilities.
5. The unit must be properly grounded.
6. For the purpose of avoiding any dangerous gas leaking into your bathroom, the duct kit of the unit must be separated from other ventilation kits, or other open-fire appliances into the same flute.
7. The unit must be isolated from the power before installation.
8. The power cable must stand a minimum 10a load capacity.
9. This appliance is not intended for use by persons (including children) with reduced physical, sensory or mental capabilities, or lack of experience and knowledge, unless they have been given supervision or instruction concerning use of the appliance by a person responsible for their safety.  
Children should be supervised to ensure that they do not play with the appliance.

#### IMPORTANT CONSIDERATIONS BEFORE INSTALLING

1. The unit must be mounted outside the shower cubicle.
2. For the exhaust fan and light to work efficiently. Replacement air of a volume equivalent to what is being extracted must be able to enter the room. In general this air would be drawn under the door, or through a slightly open window. If the room is airtight, the fan will function poorly.
3. This product is designed for installation in flat ceiling only. Do not mount it on a sloping ceiling or a vertical wall.
4. Before commencing any cutting, check in the ceiling space that there are no obstructions such as ceiling joists and that there is sufficient tight clearance for the housing, check the electrical wiring can be routed from the walls switches to the mounting location.

### INSTALLATION

#### 1. Cutting a vent(when required)

1)For installation where external venting is required or is your choice, locate suitable location in either the roof or exterior wall to vent out the exhaust fan air/steam and cut out a 105mm Hole.

#### 2)Ducting

Put one end of a 100mm diameter duct into the vent hold and seal space around the hole using a coving where necessary.(Figure 1)

#### 3)Location

For the fan to work efficiently, the fascia there should be a minimum of 2m overall height to ground.

#### 4) Prepare the ceiling

Using this instruction card as a template, mark the ceiling with a pencil outline and cut out a hole in the ceiling at the chosen area.

Make sure a distance between the edges and wall no less than 250mm.

Also from the rooftop there should be a minimum 250mm height to the ceiling.(Figure 2) Insure that the intended hole will have suitable room to locate the unit and will not foul on foists or not fit in the headroom provided.

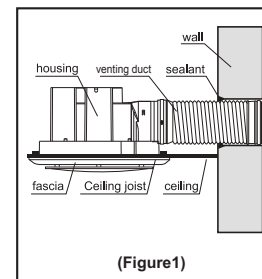
#### 5)Remove the fascia

Pull the fascia a little, press the fastening springs backside, and unfasten the DC plug and bluetooth SM pair plugs, then remove the fascia.

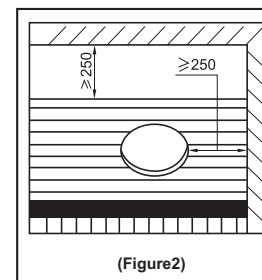
#### 6)Wiring(Ensure the power is turned off)

Wiring the unit as the wiring diagram.(Figure 3)

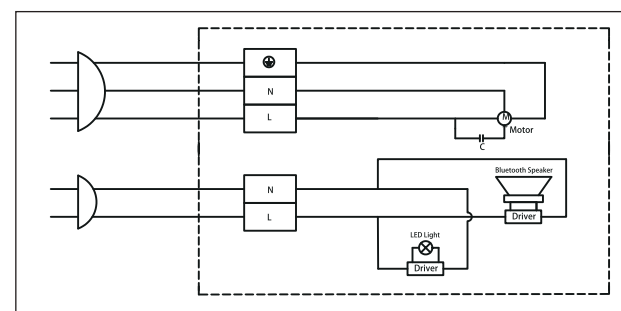
When the unit is installed completely, please wait for 10 minutes before use.



(Figure1)



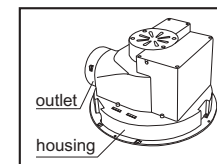
(Figure2)



(Figure 3)

#### 7)Position the housing into the hole

Choose an optimal direction to put the housing into the hole in accordance with the position of fan outlet. Remove the outlet from the body and fit it to the in-house end of the duct(Figure 4), then put back the outlet to body of the unit into the hole in the ceiling, please note that the outlet and body to be well fixed.



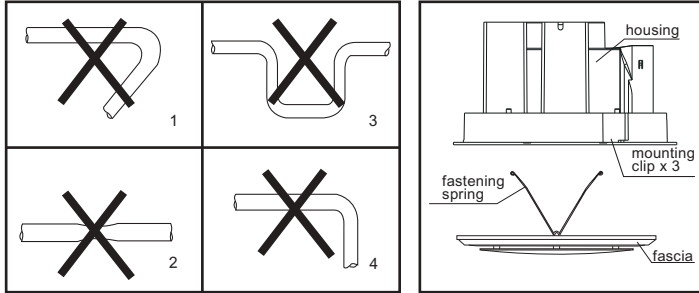
(Figure 4)

Read and save these instructions!

Please take this card as hole cutting template  $\varnothing 295\text{mm}$ .

## INSTALLATION INSTRUCTIONS AND HOLE-CUTTING TEMPLATE

**Note:** The shortest, smooth surface venting duct with the minimum elbows will provide optimum fan performance. Please keep the duct as straight as possible. (Figure 5)  
**Note:** Assure the 3 mounting clips are close to the body so that the unit can be easily pushed into the hole in the ceiling.  
**Note:** Advice make an inspecting hole to be for installation and inspection convenient.



(Figure 5)

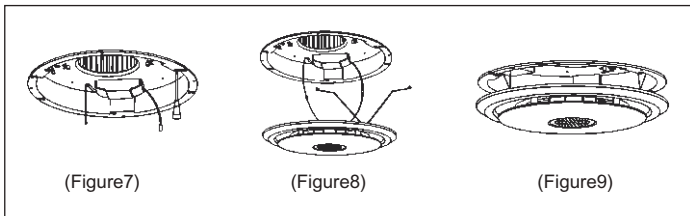
(Figure 6)

8) Fasten the unit on the ceiling

Use a screw driver and screw clockwise so that the mounting clip move close to the ceiling surface to secure the fan. (Figure 6)

9) Replace the fascia

Attach the DC plug and bluetooth SM plugs. Put the two springs on the fascia into the two slots in the unit. (Figure 7-9)



(Figure 7)

(Figure 8)

(Figure 9)

### BLUETOOTH OPERATION

- 1) Turn on the switch for the exhaust fan.
- 2) Running the fan can exhaust odors and steam in a quick and efficient way.
- 3) When the LED light connected with electricity, the Bluetooth in exhaust fan will be turned on. Turn on the Bluetooth device to scan the available Bluetooth then connect to the Bluetooth exhaust fan code VC3001. When the Bluetooth is paired, please choose the music from the audio device, and the speaker will play it.

**Note:** Shut off power urgently when any abnormalities occur in operation, then call your local licensed electrician for inspection necessary service work.

**Note:** It is absolutely prohibited to insert finger or thin bar to the fascia for avoiding being injured or damaging the unit.

**Note:** The unit must not be installed at a place that suffers from severe water leakage.

### MAINTENANCE

- 1) Shut off power before cleaning or maintenance.
- 2) Wipe fascia with care using a soft cloth soaked with water or neutral detergent. Ensure the motor or other electrical parts can not touch the water.
- 3) Replaced the fascia after it is dry thoroughly.

### MAIN TECHNICAL PARAMETERS

Input	Power	LED light	Air Volume	Hole-cutting Size	Model No
220-240V 50Hz	43W	8W	160m³/h	Φ295mm	BTF

### LIST OF COMPONENTS SUPPLIED

Main body with fascia	1 piece each
Duct Kit	1 Set
Installation instruction and cutout template	1 piece
Warranty card	1 piece

Fill out the following details and file along with your purchase receipt and certificate of safety.

### BLUETOOTH EXHAUST FAN AND LIGHT

**Model No:** \_\_\_\_\_

**Purchased from:** \_\_\_\_\_

**Date of purchase:** \_\_\_\_\_

Read and save these instructions!

Please take this card as hole cutting template Φ295mm.