

INSTALLATION, USE AND CARE INSTRUCTIONS

HELLER

250mm EXTRACTOR EXHAUST FAN

Model No: HBBF250EX



**BEFORE OPERATING THIS PRODUCT READ UNDERSTAND AND FOLLOW THESE
INSTRUCTIONS.**

Save these instructions for future reference.

READ AND SAVE THESE INSTRUCTIONS

IMPORTANT SAFEGUARDS

When using any electrically powered product, basic safety precautions should always be followed, including the following:

At GAF, we are very safety conscious when designing and manufacturing consumer products; however there is an onus on the consumer to also exercise care and common sense when using any electrical appliance. Listed below are precautions which are essential for the safe use of an electrical appliance:

PLEASE READ ALL INSTRUCTIONS CAREFULLY BEFORE USING THE PRODUCT.

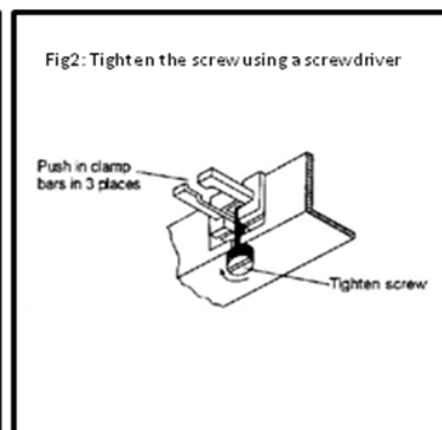
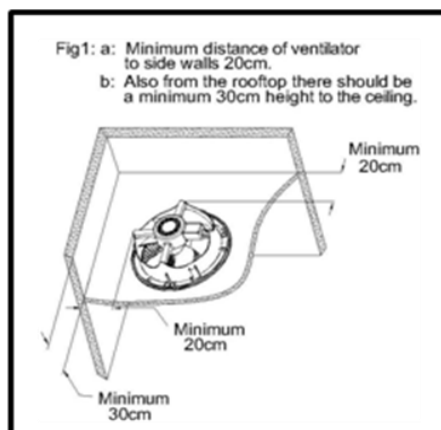
WARNING - to reduce the risk of fire, electrical shock or injury to persons or property:

- Always operate the product from a power source of the same voltage, frequency and rating as indicated on the product identification plate.
- This appliance is not intended for use by persons (including children) with reduced physical, sensory or mental capabilities, or lack of experience and knowledge, unless they have been given supervision or instruction concerning use of the appliance by a person responsible for their safety.
- Do not operate any product with a damaged cord or plug, or after the product malfunctions, or is dropped or appears damaged in any way.
- This unit is designed for indoor use only.
- Do not allow any foreign object to enter the grille openings as this may damage the unit and/or the user.
- Do not allow any ceiling insulation to cover any portion of the rear of the appliance.
- Do not attempt to modify the appliance.
- This unit is not suitable for use with exhaust ducting.

INSTALLATION

CAUTION: ANY ELECTRICAL WIRING MUST BE CARRIED OUT BY A LICENSED ELECTRICIAN.
DO NOT INSTALL IN AN AREA WHERE WATER MAY BE SPLASHED ON THE APPLIANCE.

1. Check for hidden timbers and wiring above the installation area.
2. Using the template as described over, mark the mounting hole on the ceiling. In order for the warranty to be honoured the fan must be installed:
 - a. At least 2.3M above the ground.
 - b. At least 90cm from any hotplate and have at least 30cm clearance above the fan blades.
 - c. At least 20cm distance from side walls (see fig 1).
 - d. Ensure the power cord does not interfere with the fan blades.
 - e. Ensure any ceiling insulation or frame does not obstruct the airflow.
 - f. Clean the grille and blades regularly.



3. Cut the hole using a jigsaw, keyhole saw or hacksaw along the marked line.
4. Remove the grille (simply pulls free of the frame) and connect the plug to the power outlet. Insert the fan assembly into the opening. For ceilings 13mm or less use step a). For thicker ceilings use step b).
 - a) Before inserting the fan into the opening, push the three bar clamps all the way out to hold the fan in the ceiling. Push the fan into the ceiling opening and secure the exhaust fan by tightening the screws securely (See Fig 2).
 - b) Remove the three bar clamps. Use wood screws (not supplied) to secure the fan to the ceiling. Locate screws in the 3 holes in the outer lip of the fan frame.
5. Place the grille over the fan assembly and push up until it snaps into place.
6. Precautions must be taken to avoid the back-flow of gases into the room from an open flue of gas or other open-fire appliances.

PLEASE NOTE: *For your convenience an arrow is displayed on the cover fascia highlighting easy release.*

CARE INSTRUCTIONS

Dirty fan blades and clogged grille drastically decrease the fan's performance, working life and void the warranty. Regular cleaning will ensure many years' of trouble free operation. Switch the appliance off before removing the grille.

GRILLE

Remove and wash in warm soapy water then rinse. A soft brush and sugar soap is recommended to remove stubborn grease.

Dry thoroughly before refitting.

FAN BLADE

Wipe blade with a cloth moistened with the above solution.

CAUTION: NEVER IMMERSE THE MOTOR IN CLEANING SOLUTION OR ANY OTHER LIQUID.

SERVICE

Apart from grille and blade cleaning there are no user serviceable components in the appliance.

If repair is required, contact the dealer from whom you purchased your appliance, together with your proof of purchase, for a replacement.

TEMPLATE

Check that no hidden timbers or wiring are in the area immediately above the hole.

This template will mark out a 240mm diameter hole for the 200mm fan and a 300mm diameter hole for the 250mm fan.

Important Note

The supply cord cannot be replaced. If the cord is damaged the appliance should be rejected.

**GAF Control (Sales) Pty Ltd
18-28 Taras Ave
Altona Nth
Vic. 3025**

READ AND SAVE THESE INSTRUCTIONS

CENTRE HOLE



FAN SIZE
250mm

