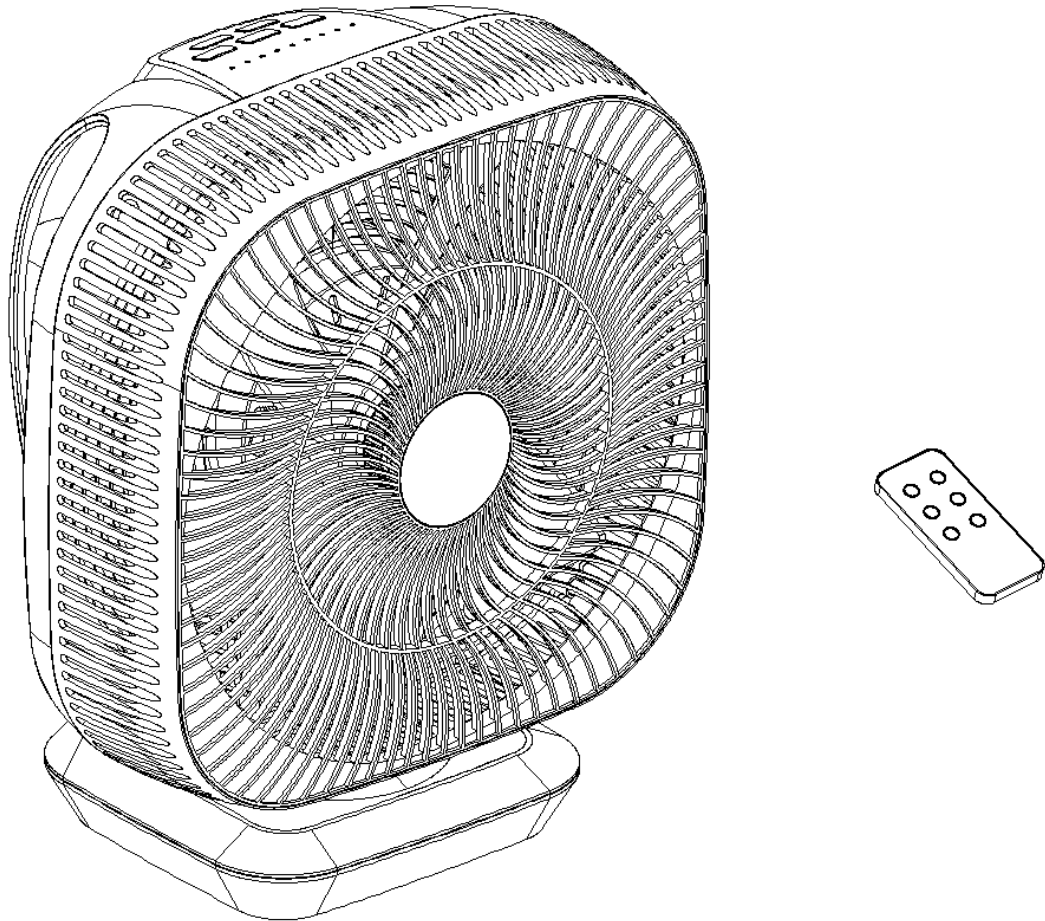


HELLER

Instruction Manual

40cm Circulating DC 30cm Fan

Model: HCDC30



READ AND SAVE THESE INSTRUCTIONS

Please read and follow the instructions in this user manual even if you feel you are familiar with the product, and find a place to keep it handy for future reference.

For your convenience record the complete model number (located on the product identification plate) and the date you received the product, together with your purchase receipt and attach to the warranty and service information. Retain in the event that warranty service is required.

NOTE: The rating of this product (as marked on the product identification plate) is based on specific loading tests. Normal use or the use of other recommended attachments may draw significantly less power.

IMPORTANT SAFEGUARDS

When using any electrically powered product, basic safety precautions should always be followed, including the following:

PLEASE READ ALL INSTRUCTIONS CAREFULLY BEFORE USING THIS PRODUCT

WARNING! - to reduce the risk of fire, electrical shock or injury to persons or property:

- Always operate the product from a power source of the same voltage, frequency and rating as indicated on the product identification plate.
- Remove the unit from its packaging and check to make sure it is in good condition before using.
- Do not let children play with parts of the packaging (such as plastic bags).
- Close supervision is necessary when the product is used by or near children or infirm persons. Do not allow children to use it as a toy.
- Do not operate any product with a damaged cord or plug, or after the product malfunctions, or is dropped or appears damaged in any way. Return the complete product to the place of purchase for inspection, repair or replacement.
- Before unplugging the power cord, be sure to turn the power off. When touching the unit, be sure your hands are dry to prevent electrical shock.
- Never install the unit where it is exposed to direct sunlight, excessive moisture/rain, dust and lack of ventilation near any heat sources.
- Avoid making contact with moving parts. Never insert fingers, pencils or any other objects through the guards whenever the power plug is connected, especially while the unit is working.
- Always place the fan on a stable, level surface when operating to prevent the fan from overturning. Do not run the power cord under carpet. Do not cover the power cord with throw rugs or runners. Route the power cord away from walking paths so that nobody can trip over it. The cable should be kept away from heat, sharp edges and oil.
- To reduce the risk of electric shock, do not immerse or expose the product or flexible cord to rain, moisture or any liquid other than those necessary for correct operation of the product.
- This product should not be used in the immediate vicinity of water, such as bathtub, washbowl, bathroom swimming pool etc. Where the likelihood of immersion or splashing could occur.
- Switch off and unplug from outlet when not in use, before assembling or disassembling parts and before cleaning. Remove by grasping the plug- do not pull on the cord.
- Be sure that no other high current appliances are plugged into the same circuit as your fan, as an overload can occur.
- Avoid the use of an extension cord as the extension cord may overheat and cause a risk of fire.
- Do not use the appliance for other than its intended use.
- Do not use outdoors. **FOR INDOOR USE ONLY.**

- Do not leave the appliance unattended when switched on.
- Do not cover the grill, or operate in close proximity to curtains etc.
- The use of attachments or accessories not recommended or sold by the product distributor may cause personal or property hazards or injuries.
- This product is intended for normal domestic/household use only.
- Never leave a working appliance unattended, even for a short period of time – always switch it off. Please unplug the appliance from the power supply when not in use.
- Use this fan as described in this manual. Any other uses, not recommended by the manufacturer, may cause fire, electric shock, or injury to persons and may void the warranty.
- This appliance is not intended for use by persons (including children) with reduced physical, sensory or mental capabilities, or lack of experience and knowledge, unless they have been given supervision or instruction concerning the use of the appliance by a person responsible for their safety.
- The installation of a residual current device (safety switch) is recommended to provide additional safety protection when using electrical appliances. It is advisable that a safety switch with a rated residual operating current not exceeding 30mA be installed in the electrical circuit supplying the appliance. See your electrician for professional advice.
- Children should be supervised to ensure that they do not play with the appliance.
- Do not leave the fan running unattended.
- **WARNING:** If the supply power cord is damaged, the power cord must be replaced by the manufacturer, its service agent or similarly qualified persons in order to avoid a hazard.
- This product has not been designed for any uses other than those specified in this booklet.
- **CAUTION:** Never insert your fingers or any other objects (hair, clothes, utensils, knives, screw drivers etc.) into the openings of the guard or close to the blade when the appliance is connected to the power supply.
- **CAUTION:** DO NOT COVER the appliance in any way in order to avoid overheating and fire.
- **CAUTION - RISK OF ELECTRIC SHOCK:** To reduce the risk of electric shock do not open this device, there are not serviceable parts for customers. Please refer any maintenance or repair to qualified personnel.

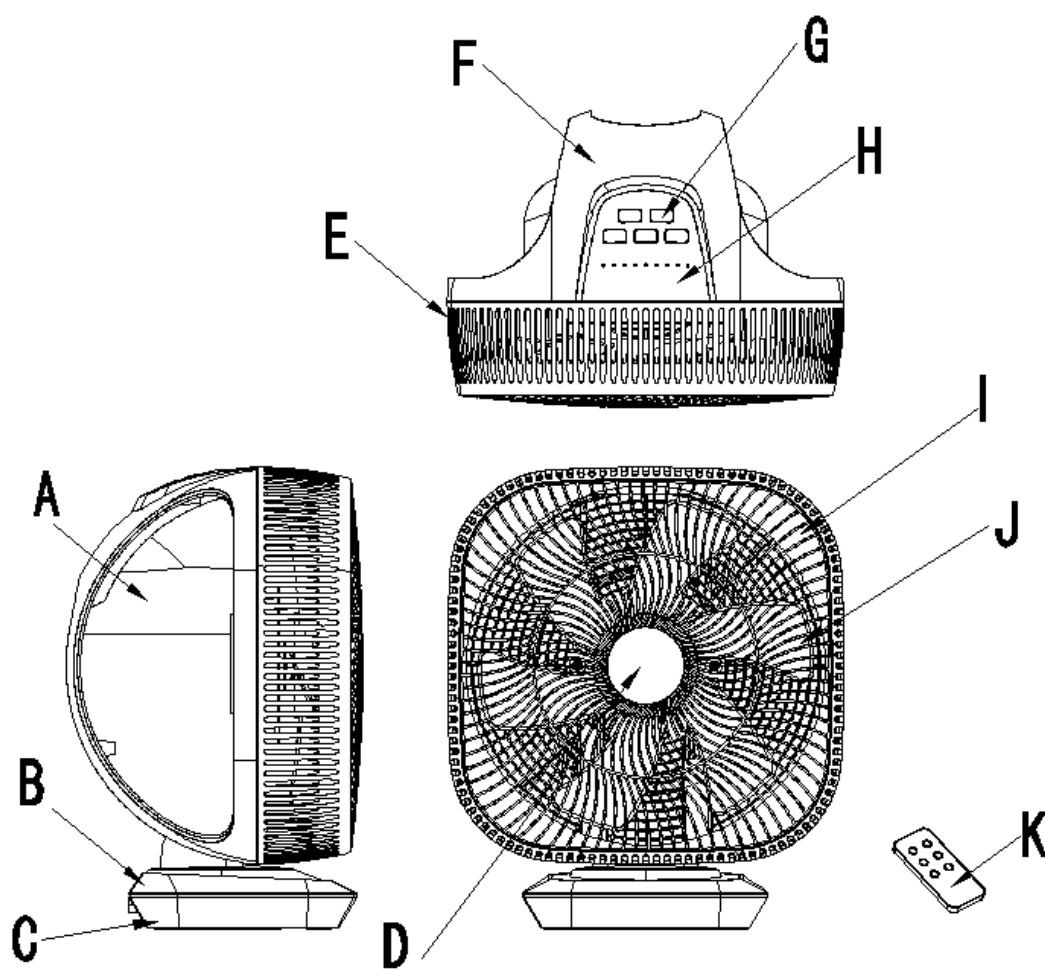
SAVE THESE INSTRUCTIONS

BEFORE FIRST USE

Before use, remove all packaging and inspect the appliance for any damage. If there appears to be any damage, please take the unit back to place of purchase for a replacement.

PARTS & FEATURES

- A. Rear Inner Shell
- B. Base Plate
- C. Bottom Base
- D. Front Net Cover
- E. Front Shell
- F. Rear Shell
- G. Key
- H. Control Plate
- I. Front Net
- J. Fan Blade
- K. Remote Control



OPERATING INSTRUCTIONS

NOTE: Before inserting the plug into a power outlet, make sure that the correct voltage being used corresponds to what is indicated on the rating label, and that the socket has an earth facility.

CAUTION:

- Select a suitable location for the fan. Always choose a safe location in accordance with the safety recommendations outlined below:
- Never touch the blades with hands, fingers or any objects!

Instruction for Control Panel Buttons:



- **Mode (Natural / Sleep / Normal)**

- Press once: Indicator light for NATURAL will be on (Red Light).
- Press twice: Indicator light for SLEEP will be on (Blue Light).
- Press three times: Indicator light will be off for normal condition.



- **Speed (Low / Medium / High)**

There are three speed settings to adjust to via the speed button. When pressing the SPEED button, the indicator light will turn on accordingly:

- Low – Motor speed 2 is 400rpm
- Medium – Motor speed 5 is 700rpm
- High – Motor speed 8 is 1000rpm



- **Power (On / Off)**

When pressing the ON button, the indicator light will turn on. When pressing the OFF button, the indicator light will turn off.



- **Timer**

In the timing selection there are 1H, 2H and 5H, here the indicator light will turn on accordingly on the unit when pressing the TIMER button.



However, there are 1H , 2H, 3H, 5H, 6H, 7H & 8H timer selections to choose from:

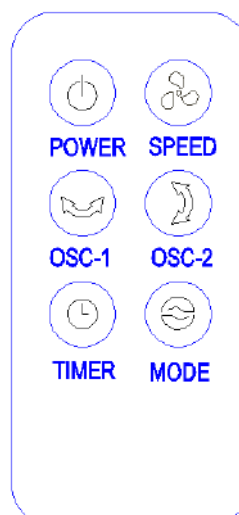
- Press once: Indicator light for 1H will be on (Blue Light).
- Press twice: Indicator light for 2H will be on (Blue Light).
- Press three times: Indicator light for 1H + 2H (total of 3H) will be on (Blue Light).
- Press four times: Indicator light for 5H will be on (Blue Light).
- Press five times: Indicator light for 1H + 5H (total of 6H) will be on (Blue Light).
- Press six times: Indicator light for 2H + 5H (total of 3H) will be on (Blue Light).
- Press seven times: Indicator light for 1 H + 2 H + 5H (total of 8H) will be on (Blue Light).

- **Oscillation (Left & Right Swing / Up & Down Swing)**

- Press once: the unit will swing left and right (L/R), and the indicator light will turn on (Blue light).
- Press twice: the unit will swing up and down (U/D), and the indicator light will turn on (Blue light).
- Press three times: the unit will swing left and right (L/R) and then up and down (U/D), and the indicator light will turn on (Blue light).
- Press three times: the unit will stop the oscillation, and the indicator light will turn off.



Instruction for Remote Control:



- **Mode (Natural / Sleep / Normal)**

- Press once: Indicator light for NATURAL will be on (Red Light).
- Press twice: Indicator light for SLEEP will be on (Blue Light).
- Press three times: Indicator light will be off for normal condition.

- **Speed (Low / Medium / High)**

There are total of 8 speed settings to adjust to via the speed button on the remote control.

When pressing the SPEED button, the speed will change from low to high, and the indicator light will turn on accordingly:

- Low (3 x Low Speed Settings: 2/3/4):— Motor speed 2 is 400rpm, Motor speed 3 is 500rpm, Motor speed 4 is 600rpm
- Medium (3 x Medium Speed Settings: 5/6/7):— Motor speed 5 is 700rpm , Motor speed 6 is 800rpm, Motor speed 7 is 900rpm
- High – Motor speed 8 is 1000rpm

- **Timer**

In the timing selection there are 1H, 2H and 5H, here the indicator light will turn on accordingly on the unit when pressing the TIMER button.

However, there are 1H , 2H, 3H, 5H, 6H, 7H & 8H timer selections to choose from:

- Press once: Indicator light for 1H will be on (Blue Light).
- Press twice: Indicator light for 2H will be on (Blue Light).
- Press three times: Indicator light for 1H + 2H (total of 3H) will be on (Blue Light).
- Press four times: Indicator light for 5H will be on (Blue Light).
- Press five times: Indicator light for 1H + 5H (total of 6H) will be on (Blue Light).
- Press six times: Indicator light for 2H + 5H (total of 3H) will be on (Blue Light).
- Press seven times: Indicator light for 1 H + 2 H + 5H (total of 8H) will be on (Blue Light).

- **Oscillation: OSC-1 (Left & Right Swing)**

- Press once: the unit will swing left and right (L/R), and the indicator light will turn on (Blue light).
- Press twice: the unit will stop the oscillation, and the indicator light will turn off.

- **Oscillation: OSC-2 (Up & Down Swing)**

- Press once: the unit will swing up and down (U/D), and the indicator light will turn on (Blue light).
- Press twice: the unit will stop the oscillation, and the indicator light will turn off.

CARE & CLEANING

NOTE: If the power cord set of this appliance becomes damaged, discontinue use. Repairs should be undertaken only by a qualified technician.

CAUTION:

- To avoid of electric shock, you must always switch off and unplug the fan before cleaning.
- Do not use harsh detergents, chemical cleaners or solvents as they may damage the surface finish of the plastic components and the paint finish.

- Your appliance must be switched OFF via the main power supply and unplugged, and allow it to cool down before proceeding with any cleaning, assembling or disassembling.
- Clean the housing with a damp cloth, a vacuum cleaner or a dusting brush.
- We recommended lightly running a vacuum cleaner brush nozzle over the fan grille to remove any dust or dirt that may have accumulated.
- Do not immerse the fan in water and never allow water to drip onto the motor or switch housing.
- To clean the fan blade, remove the guard locking screw and disengage the clips holding the front guard to the rear guard.
- Remove the front guard.
- Wipe the blade and guards.
- Reassemble the guards first before storing the fan in its original carton or cover it to protect it from dust. Store it in a cool, dry place.

SPECIFICATIONS

Model No.	HCDC30		
Brand	Heller	Product Description	Circulating DC 30cm Fan
Input Rated Voltage	220 – 240V ~	Rated Frequency	Rated Frequency
Output Rated Voltage	DC12V	Input Power	20W

RECYCLING

For further information, please contact your local or regional authorities.

Electronic products not included in the selective sorting process are potentially dangerous for the environment and human health due to the presence of hazardous substances.



CUSTOMER SERVICE

Australian Customer Service

GAF Control (Sales) Pty Ltd

P.O Box 19

Altona North Victoria 3025

Phone: 1300 659 489

Hours: 9am-5pm (EST) Mon-Fri

www.gafcontrol.com.au

*This product may vary slightly to the product illustrated due to ongoing product development.