

# **HELLER**

## **ELECTRIC FIRE PLACE HEATER 1800W**

### **USER MANUAL**

Model Number: HFH1800



**BEFORE OPERATING THIS PRODUCT, READ, UNDERSTAND, AND  
FOLLOW THESE INSTRUCTIONS.**

## IMPORTANT

---

Read and follow the instructions in this user manual even if you feel you are familiar with the product, and find a place to keep it handy for future reference.

For your convenience record the complete model number (located on the product identification plate) and the date you received the product, together with your purchase receipt and attach to the warranty and service information. Retain in the event that warranty service is required.

NOTE: The rating of this product (as marked on the product identification plate) is based on specific loading tests. Normal use or the use of other recommended attachments may draw significantly less power.

## IMPORTANT SAFEGUARDS

---

**When using any electrically powered product, basic safety precautions should always be followed, including the following:**

PLEASE READ ALL INSTRUCTIONS CAREFULLY BEFORE USING THIS PRODUCT

**WARNING! - to reduce the risk of fire, electrical shock or injury to persons or property:**

- Carefully read all instructions before operating your new product for the first time and save for future reference.
- Remove and safely discard any packaging material and promotional labels before using the appliance for the first time.
- To eliminate a choking hazard for young children, remove and safely discard the protective cover fitted to the plug of this appliance.
- Always operate the product from a power source of the same voltage, frequency and rating as indicated on the product identification plate.
- This appliance is not intended for use by persons (including children) with reduced physical, sensory or mental capabilities, or lack of experience and knowledge, unless they have been given supervision or instruction concerning use of the appliance by a person responsible for their safety.
- Keep out of reach if children and do not allow them to operate this appliance.
- Close supervision is necessary when the product is used by or near children or invalids. Children should be supervised to ensure that they do not play with the appliance.
- This product must not be located immediately below a socket outlet, and should not be used in the immediate vicinity of water, such as bathtubs, washbowls, swimming pools etc. where the likelihood of immersion or splashing could occur.
- **WARNING: In order to avoid overheating, do not cover the heater, or operate in close proximity to curtains, etc. Check air inlets and outlets from time to time for accumulated dust.**
- Do not switch the appliance on until it properly installed as described in this manual.
- Do not leave the heater running unattended.
- Do not use the appliance outdoors.
- Do not use if you have wet or damp hands.
- Never use the appliance on or near hot surfaces.
- Do not operate the product if it is dropped, damaged or showing signs of product malfunction.

- Do not operate the product with a damaged plug or cord. Return the complete product to the place of purchase for inspection, refund or replacement.
- If the supply cord is damaged, the cord must be replaced by the manufacturer, its service agent or similarly qualified persons in order to avoid hazard.
- Do not immerse or expose the product or flexible cord to rain, moisture or any other liquid.
- Switch off and unplug from outlet when the product is not in use and before cleaning the unit.
- To avoid personal injuries or property damage, do not insert any body parts (e.g. finger) or objects through the air inlet or outlet openings when the heater is operating.
- This product is intended for normal domestic/household use only and should not be used for industrial purposes.
- From time to time, please check the cord for damage. Never use the appliance if the cord or any part of the appliance shows signs of damage.
- Repairs to electrical appliances should only be performed by a qualified electrician. Improper repairs may place the user at serious risk.
- Do not run the main cable under carpets, rugs, etc.
- Do not allow the mains cable to hang over sharp edges or come into contact with hot surfaces.
- Never immerse the product in water or any other liquids.
- Before cleaning the appliance, ensure it is unplugged from the power and that it is completely cooled.
- Do not clean the appliance with abrasive chemicals.
- Always disconnect the heater when moving it from one location to another.
- The use of attachments or accessories not recommended or sold by the product distributor may cause personal or property hazards or injuries.
- Do not use the heater in reach of a shower, bath or a swimming pool.
- Heater is not located immediately below a socket-outlet.
- The surfaces of the heater are very hot during operation. Avoid contact with the wind outlet. Use handles and knobs if necessary.
- Do not twist or wrap the power cord around the appliance as this may cause the insulation to weaken and split, particularly where it enters the unit. Fully unwind the cord before use as a coiled cord may overheat.
- Use of an extension cord is not recommended. However, if it is absolutely necessary ensure the cord is short as possible (long cords coiled up can overheat and cause tripping accidents).
- Do not use the appliance on the same socket or electric circuit with other electrical appliances so as to prevent the circuit from being overloaded, which will cause fire. Please do not prolong the power cords by yourself or use movable socket.
- Ensure the cord is fully extended before use and accommodate it so that it is not in touch with any part of the heater.
- Do not use the heater in areas such as garages where petrol or other flammable substances are used or stored. Do not use the heater when flammable sprays, solvents and glues are in use.
- Keep combustible materials such as furniture, pillows, bedding, clothes and curtains at least 1m away from the appliance.
- Avoid touching the heater body whilst the heater is on. Do not move the appliance while it is functioning in order to avoid overheating with the additional risk of fire.

- Switch off and unplug from outlet when not in use, before assembling or disassembling parts and before cleaning. Remove by grasping the plug - do not pull on the cord.
- Do not use the appliance for other than its intended use.
- Do not leave the appliance unattended when switched on.
- Always use the heater on a leveled surface.
- Do not use the heater to dry your laundry. Never obstruct the intake and outlet grilles (danger of overheating).
- Children aged from 3 years should be kept away unless continuously supervised.
- Children aged from 3 years and less than 8 years shall only switch on/off the appliance provided that it has been placed or installed in its intended normal operating position and they have been given supervision or instruction concerning use of the appliance in a safe way and understand the hazards involved.
- Children aged from 3 years and less than 8 years shall not plug in, regulate and clean the appliance or perform user maintenance.
- Always use a fireguard when children and infirm persons can come into contact with the heater.
- Never sit or stand on the heater.

**CAUTION:** In order to avoid a hazard due to inadvertent resetting of the thermal cut-out, this appliance must not be supplied through an external switching device, such as a timer, or connected to a circuit that is regularly switched on and off by the utility.

## **READ AND SAVE THESE INSTRUCTIONS FOR FUTURE REFERENCE**

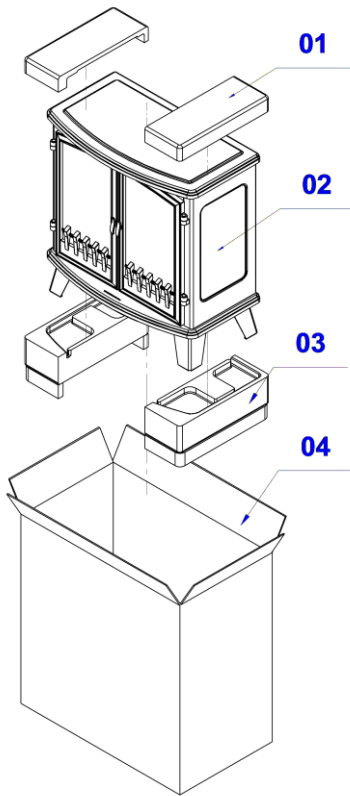
### **BEFORE FIRST USE**

---

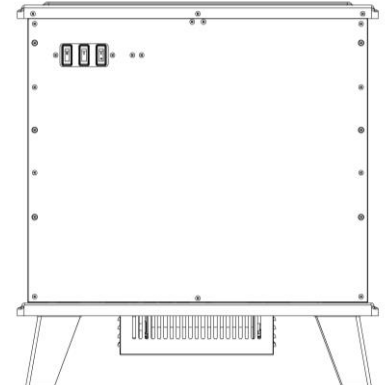
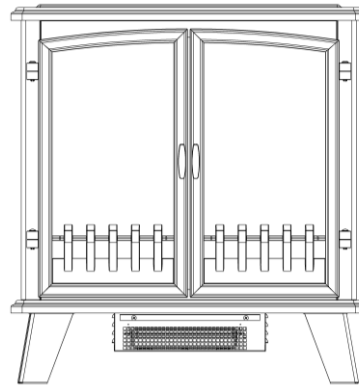
- Remove all packaging and check the appliance for any damages during transportation. If the unit appears to be any damages, please take back the damaged heater to the place of purchase for a replacement.
- Ensure a power socket is available to power the heater and that the heater is not directly located under the power socket.
- Ensure the heater is placed on a level surface with enough clearance from its surroundings.
- **Do not place the heater on LONG PILE CARPET OR FLOKATI RUGS. Use a heat board if necessary.**

### **UNLOADING THE PACKAGE**

1. Open the package
2. Take up-protect fiber out
3. Take fireplace out (below diagram)
4. Find the screw out and fit on the feet



Serial number	Name	Quantity
01	Up -Protect fiber	2
02	Fireplace	1
03	Down- Protect fiber	2
04	Parking chest	1



## PLACEMENT

This free-standing heater is designed to be placed on a hard, level surface. When positioning, please keep the following points in mind:

- The fireplace heater must not be located over a fixed electrical socket. The socket must always be accessible in order to disconnect the heater from the electrical supply for maintenance or cleaning.
- Keep hearth rugs and other soft furnishings away from the front of the heater. They could obstruct the free flow of hot air from the fan and damage both soft furnishings and heater.

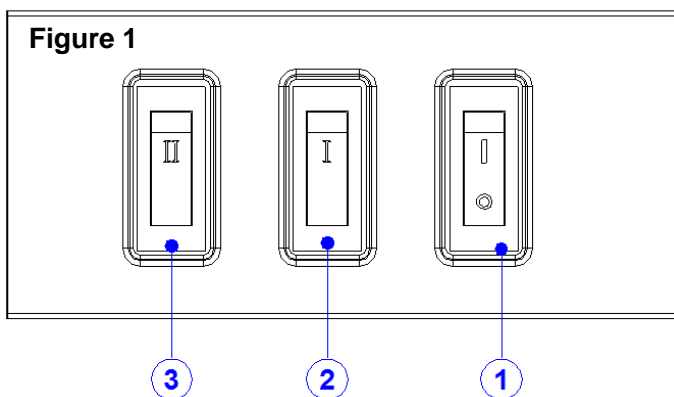
## FEATURES

### CONTROLS

Never cover the heater or obstruct the opening at the base of the heater, this could cause overheating and, consequently, risk of fire.

### LOCATION OF CONTROLS:

The following switches are located on the back of heater.



1. Flame dimmer control - Adjust to set flame intensity
2. "I" Heat switch - Low heat setting
3. "II" Heat Switch - High heat setting

This heater must not be located immediately below a socket outlet.

## OPERATING INSTRUCTIONS

---

1. Insert plug into mains socket.
2. Select the desired function:  
For *Figure 1*:
  - Flame effect ON/OFF (1)
  - Low heat 900W (2)
  - High heat 1800W (3)
3. It is necessary to switch on the fan to activate heat functions. Without fan, heating cannot start.

### **AUTOMATIC CUT-OFF**

A cut-off switch is fitted to the heating element to prevent damage due to overheating. If it cuts off due to an obstruction in the airflow, the heater must be allowed to cool for 15 minutes and the obstruction must be removed before restarting.

**Notice:** Heater will only work if fan switch is on and thermostat is set above current room temperature.

## CLEANING

---

The heater requires regular cleaning to ensure trouble free operation:

- Unplug the heater from the mains supply before cleaning.
- Ensure that the heater has been allowed to completely cool before cleaning.
- The heater and glass parts need only to be wiped clean with a dry, soft cloth; do not use polishes or abrasive materials.
- Use a slightly damp, lint-free cloth to clean this appliance.
- Do not immerse in water or any liquid when cleaning. Do not allow any water or other liquid to enter the housing or control panel.
- Ensure the heater is dry before plugging back into the mains supply.

**CAUTION: Do not use harsh detergents, chemical cleaners or solvents as they may damage the surface finish of the heater.**



**Warning: In order to avoid overheating, do not cover the heater.**

**WARNING - Fabric, clothing or other flammable materials may ignite if placed against or in close proximity to the heater. No flammable materials should be placed within 120cm of the front or heat outlet and 50cm of sides or rear of the heater. Do not cover the heater. This appliance is for indoor use only. Do not use outdoors.**

## TROUBLE SHOOTING

---

### **NO HEAT OR LIGHT:**

Check the wall socket by plugging in a working appliance. If socket is functional, and the cord or plug of the heater is suspected to be faulty, have it checked by an electrician.

### **LIGHT BUT NO HEAT:**

Check that the thermostat on the stove is set above the current room temperature. Alternatively, the automatic cut-off may have engaged – see Automatic Cut-Off section.

## SPECIFICATIONS

---

Model	Description	Voltage	Wattage
HFH1800	Electric Fireplace Heater 1800W	220-240V~	1800W

## CONFORMITY WITH DRECTIVES

---

Correct Disposal of this product



This marking indicates that this product should not be disposed with other household wastes throughout the EU. To prevent possible harm to the environment or human health from uncontrolled waste disposal, recycle it responsibly to promote the sustainable reuse of material resources. To return your used device, please use the return and collection systems or contact the retailer where the product was purchased. They can take this product for environmental safe recycling.

## CUSTOMER SERVICE

---

### **Australian Customer Service**

GAF Control (Sales) Pty Ltd

P.O Box 19

Altona North, Victoria, 3025

Phone: 1300 659 489

Hours: 9am-5pm (EST) Mon-Fri

**[www.gafcontrol.com.au](http://www.gafcontrol.com.au)**

\*This product may vary slightly to the product illustrated due to ongoing product development.