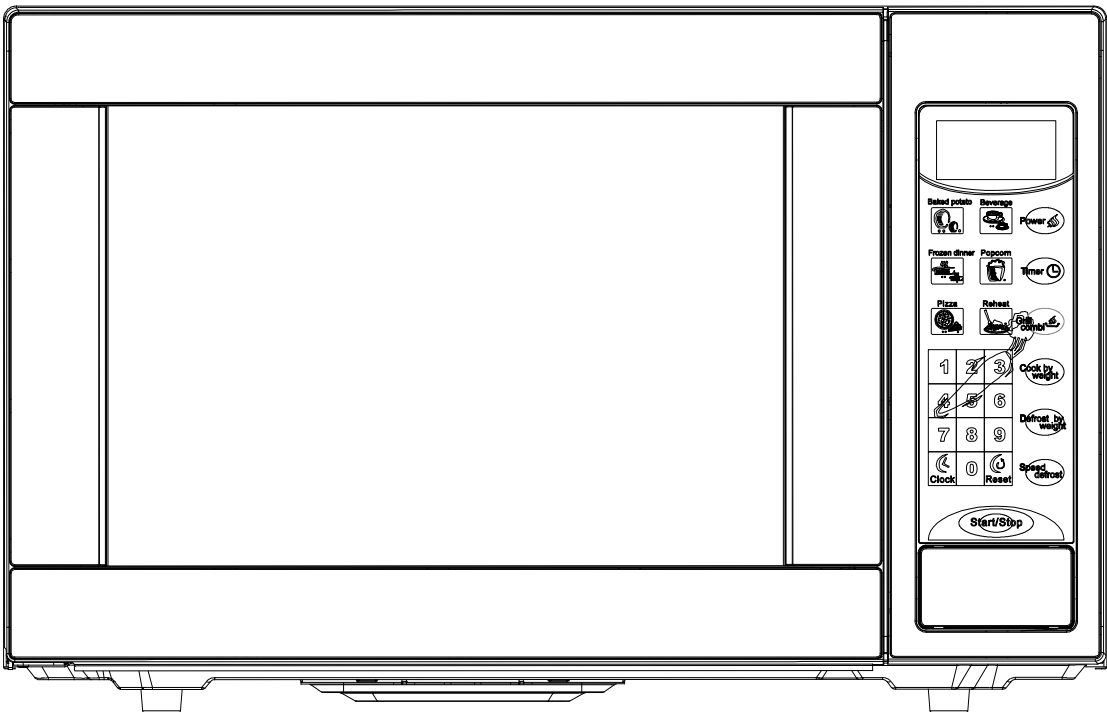




# 30L Digital Microwave with Oven & Grill

## User Manual

Model Number: HMW30SG



**IMPORTANT SAFETY INSTRUCTIONS  
READ CAREFULLY AND KEEP FOR FUTURE REFERENCE**

Please read and follow the instructions in this user manual even if you feel you are familiar with the product, and find a place to keep it handy for future reference.

For your convenience record the complete model number (located on the product identification plate) and the date you received the product, together with your purchase receipt and attach to the warranty and service information. Retain in the event that warranty service is required.

**NOTE:** The rating of this product (as marked on the product identification plate) is based on specific loading tests. Normal use or the use of other recommended attachments may draw significantly less power.

## **PRECAUTIONS TO AVOID POSSIBLE EXPOSURE TO EXCESSIVE MICROWAVE ENERGY**

Failure to observe the following safety precautions may result in harmful exposure to microwave energy.

1. **DO NOT** attempt to operate this oven with the door open or to tamper with the safety interlocks or to insert anything into the safety interlock holes.
2. **DO NOT** place any object between the oven front face and the door or allow food or cleaner residues to accumulate on sealing surfaces. Ensure that the door and sealing surfaces are kept clean, by wiping after use.
3. **DO NOT** operate the oven if it is damaged. It is particularly important that the oven door closes properly and that there is no damage to the:
  - a. Door (bent)
  - b. Door hinges and latches (broken or loose)
  - c. Door seals and sealing surfaces.
4. The oven should not be adjusted or repaired by anyone other than a properly qualified service microwave service technician.

## **IMPORTANT SAFEGUARDS**

---

When using any electrically powered product, basic safety precautions should always be followed, including the following:

PLEASE READ ALL INSTRUCTIONS CAREFULLY BEFORE USING THIS PRODUCT

**WARNING:** To reduce the risk of burns, electric shock, fire, injury to persons or exposure to excessive microwave energy:

- Read all instructions before using the appliance.
- Use this appliance only for its intended use as described in this manual. Do not

use corrosive chemicals or vapors in this appliance. This type of oven is specifically designed to heat & cook food. It is not designed for industrial or laboratory use.

- Do not operate the oven when empty.
- Do not operate this appliance if it has a damaged cord or plug, if it is not working properly or if it has been damaged or dropped. If the supply cord is damaged, it must be replaced by the manufacturer or its service agent or a similarly qualified person in order to avoid a hazard.
- **WARNING:** Do not allow children to use the oven without supervision.
- **WARNING:** It is hazardous for anyone other than a trained person to carry out any service or repair operation which involves the removal of any cover which gives protection against exposure to microwave energy.
- To reduce the risk of fire in the oven cavity:
  - When heating food in a plastic or paper container, keep an eye on the oven due to the possibility of ignition.
  - Remove metal twist-ties from paper or plastic bags before placing bag in oven.
  - If smoke is observed, switch off or unplug the appliance and keep the door closed in order to stifle any flames.
  - Do not use the cavity for storage purposes. Do not leave paper products, cooking utensils or food in the cavity when not in use.
- **WARNING:** Liquid or other food must not be heated in sealed containers since they are liable to explode.
- Microwave heating of beverage can result in delayed eruptive boiling; therefore care has to be taken when handling the container.
- Do not fry food in the oven. Hot oil can damage oven parts and utensils and even result in skin burns.
- Eggs in their shell and whole hard-boiled eggs should not be heated in microwave ovens since they may explode even after microwave heating has ended.
- Pierce foods with heavy skins such as potatoes, whole squashes, apples and chestnuts before cooking.
- The contents of feeding bottles and baby jars should be stirred or shaken and the temperature should be checked before serving in order to avoid burns.
- Utensils should be checked to ensure that they are suitable for use in microwave ovens before use.
- Cooking utensils may become hot because of heat transferred from the heated food. Potholders may be needed to handle the utensil.
- This product is a Group 2 Class B ISM equipment. The definition of Group 2 which contains all ISM (Industrial, Scientific and Medical) equipment in which radio-

frequency energy is intentionally generated and/or used in the form of electromagnetic radiation for the treatment of material, and spark erosion equipment. For Class B equipment is equipment suitable for use in domestic establishments and in establishments directly connected to a low voltage power supply network which supplies buildings used for domestic purpose.

- This appliance is not intended for use by persons (including children) with reduced physical, sensory or mental capabilities, or lack of experience and knowledge, unless they have been given supervision or instruction concerning use of the appliance by a person responsible for their safety.
- Children should be supervised to ensure that they do not play with the appliance.
- The microwave oven is to be used freestanding only.
- **WARNING:** Do not install oven over a range cook top or other heat-producing appliance otherwise warranty will be voided.
- The microwave oven shall not be placed in a cabinet.
- The door or the outer surface may get hot when the appliance is operating.
- The temperature of accessible surfaces may be high when the appliance is operating.
- The appliance shall be placed against a wall.
- **WARNING:** If the door or door seals are damaged, the oven must not be operated until it has been repaired by a qualified person
- This appliance is not intended to be operated by means of an external timer or separate remote-control system.
- The microwave oven is for household use only and not for commercial use.
- Never remove the distance holder in the back or on the sides, as it ensures a minimum distance from the wall for air circulation.
- Please secure the turn table before you move the appliance to avoid damages.
- **Caution:** It is dangerous to repair or maintain the appliance by no other than a specialist because under these circumstances the cover has to be removed which assures protection against microwave radiation. This applies to changing the power cord or the lighting as well.
- Use gloves if you remove any heated food.
- **Caution:** Steam will escape, when opening lids!
- **WARNING:** The microwave oven is intended for heating, cooking, steaming & defrosting food only. Drying of food or clothing and heating of warming pads, slippers, sponges, damp cloth and similar may lead to risk of injury, ignition or fire.

**SAVE THESE INSTRUCTIONS**

## SPECIFICATIONS

---

Power Consumption	220-240V/50Hz, 1580W(Microwave) 1000W(Grill)
Rated Microwave Power Output:	1000W
Operation Frequency:	2450MHz
Outside Dimensions:	H324 × W518 × D402mm
Oven Cavity Dimensions:	H259 × W335 × D380mm
Oven Capacity:	30 Litres
Cooking Uniformity:	Turntable System
Net Weight:	Approx.15 kg

## BEFORE YOU CALL FOR SERVICE

---

If the oven fails to operate:

1. Check to ensure that the oven is plugged in securely. If it is not, remove the plug from the outlet, wait 10 seconds, and plug it in again securely.
2. Check for a blown circuit fuse or a tripped main circuit breaker. If these seem to be operating properly, test the outlet with another appliance.
3. Check to ensure that the control panel is programmed correctly and the timer is set.
4. Check to ensure that the door is securely closed engaging the door safety lock system. Otherwise, the microwave energy will not flow into the oven.

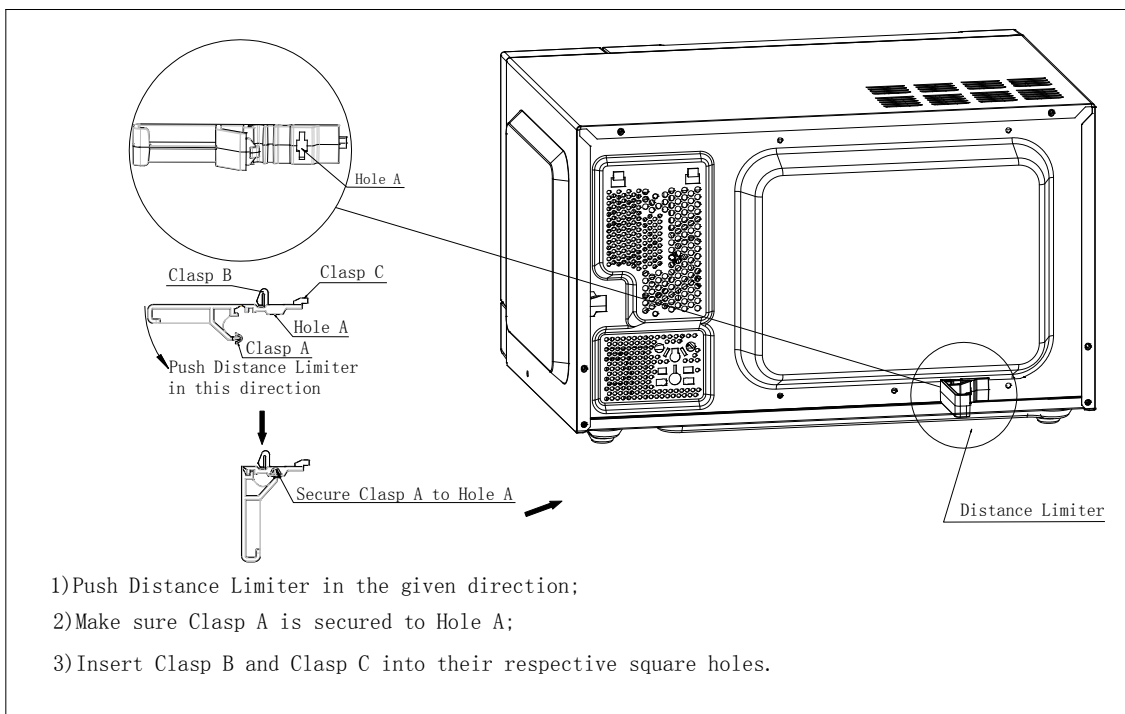
IF NONE OF THE ABOVE RECTIFIES THE SITUATION, THEN CONTACT A QUALIFIED TECHNICIAN. DO NOT TRY TO ADJUST OR REPAIR THE OVEN YOURSELF.

## INSTALLATION

---

- Make sure that all the packing materials are removed from the inside of the door.
- **WARNING:** Check the oven for any damage, such as misaligned or bent door, damaged door seals and sealing surface, broken or loose door hinges and latches, oven cavity is impacted or pressured, the power cord is loose, and dents inside the cavity or on the door. If there is any damage, do not operate the oven and contact qualified service personnel.
- This microwave oven must be placed on a flat, stable surface to hold its weight and the heaviest food likely to be cooked in the oven.
- Microwave ovens must be placed under dry and non-corrosiveness environments. Do not place the oven where heat, moisture, or high humidity (such as near a gas burner or water tank) are generated, or near combustible materials.
- For correct operation, the oven must have sufficient airflow. Allow 20cm of space above the oven, 10cm at back and 5cm at both sides. The distance of the microwave to the ground should be at least 85cm. Do not cover or block any openings on the appliance. Do not remove feet.
- Do not operate the oven without glass tray, roller support, and shaft in their proper positions.
- Make sure that the power supply cord is undamaged and does not run under the oven or over any hot or sharp surface.

- The socket must be readily accessible so that it can be easily unplugged in an emergency. It also must ensure a good grounding in case leakage, ground loop can be formed to avoid electric shock.
- The position of the oven shall be far from the TV, Radio or antenna to avoid disturbance, the distance at least more than 5m.
- The microwave oven must not be placed in a cabinet. The microwave oven is intended to be used freestanding.
- As there is manufacturing residue or oil remained on the oven cavity or heat element, the initial start up operation may produce a minimal amount of smell and smoke. This is normal and harmless. This is due to burning off the protective substance applied to the heating elements in the factory. Keep the door or window open to ensure good ventilation. So it is strongly recommended to set the oven to grill mode and operate dry several times. Operating dry can only be conducted in the grill mode; it cannot be conducted at combination mode.
- Do not use the oven outdoors.
- To keep the microwave oven at a distance from the wall; it is necessary to install a distance limiter.



## GROUNDING INSTRUCTIONS

This appliance must be grounded. This oven is equipped with a cord having a grounding wire with a grounding plug. It must be plugged into a wall receptacle that is properly installed and grounded. In the event of an electrical short circuit, grounding reduces risk of electric shock by providing an escape wire for the electric current. It is recommended that a separate circuit serving only the oven be provided. Using a high voltage is dangerous and may result in a fire or other accident causing oven damage.

**WARNING:** Improper use of the grounding plug can result in a risk of electric shock.

**Note:**

- If you have any questions about the grounding or electrical instructions, consult a qualified electrician or service person.
- Neither the manufacturer nor the dealer can accept any liability for damage to the oven or personal injury resulting from failure to observe the electrical connection procedures.

The wires in this cable main are colored in accordance with the following code:

- **Green and Yellow = EARTH**
- **Blue = NEUTRAL**
- **Brown = LIVE**

## RADIO INTERFERENCE

---

Operation of the microwave oven can cause interference to your radio, TV, or similar equipment.

When there is interference, it may be reduced or eliminated by taking the following measures:

- Clean door and sealing surface of the oven.
- Reorient the receiving antenna of radio or television.
- Relocate the microwave oven with respect to the receiver.
- Move the microwave oven away from the receiver.
- Plug the microwave oven into a different outlet so that microwave oven and receiver are on different branch circuits.

## MICROWAVE COOKING PRINCIPLES

---

- Arrange food carefully. Place thickest areas towards outside of dish.
- Watch cooking time. Cook for the shortest amount of time indicated and add more as needed. Food severely overcooked can smoke or ignite.
- Cover foods while cooking. Covers prevent spattering and help foods to cook evenly.
- Turn foods over once during microwaving to speed cooking of such foods as chicken and hamburgers. Large items like roasts must be turned over at least once.
- Rearrange foods such as meatballs halfway through cooking both from top to bottom and from the center of the dish to the outside.

## UTENSILS GUIDE

---

- The ideal material for a microwave utensil is transparent to microwave, it allows energy to pass through the container and heat the food.
- Microwave cannot penetrate metal, so aluminum foils, metal utensils or dishes with metallic trim should not be used.
- Do not use recycled paper products when microwave cooking, as they may contain small metal fragments which may cause sparks and/or fires.
- Round /oval dishes rather than square/oblong ones are recommend, as food in corners tends to overcook.

The list below is a general guide to help you select the correct utensils.

Material of container	Microwave	Grill	Combination	Notes
Heat-resistant ceramic	Yes	Yes	Yes	Never use the ceramics which are decorated with metal rim or glazed
Heat-resistant plastic	Yes	No	No	Cannot be used for long time microwave cooking
Heat-resistant glass	Yes	Yes	Yes	
Plastic film	Yes	No	No	It should not be used when cooking meat or chops as the over-temperature may do damage to the film
Grill rack	No	Yes	Yes	
Metal container	No	No	No	It should not be used in microwave oven. Microwave cannot penetrate through metal.
lacquer	No	No	No	Poor heat-resistant. Cannot be used for High-temperature cooking
Bamboo wood and paper	No	No	No	Poor heat-resistant. Cannot be used for High-temperature cooking

## COOKING TIPS

---

The following factors may affect the cooking result:

### Food arrangement

Place thicker areas towards outside of dish, the thinner part towards the centre and spread it evenly. Do not overlap if possible.

### Cooking time length

Start cooking with a short time setting, evaluate it after it times out and extend it according to the actual need. Over cooking may result in smoke and burns.

### Cooking food evenly

Food such as chicken, hamburger or steak should be turned once during cooking. Depending on the type of food, if applicable, stir it from outside to centre of dish once or twice during cooking

### Allow standing time

After cooking times out, leave the food in the oven for an adequate length of time, this allows it to complete its cooking cycle and cooling it down in a gradual manner

### Whether the food is done

Color and hardness of food help to determine if it is done, these include:

- Steam coming out from all parts of food, not just the edge
- Joints of poultry can be moved easily



- Pork or poultry shows no signs of blood
- Fish is opaque and can be sliced easily with a fork

### **Browning dish**

When using a browning dish or self-heating container, always place a heat-resistant insulator such as a porcelain plate under it to prevent damage to the turntable and rotating ring.

### **Microwave safe plastic wrap**

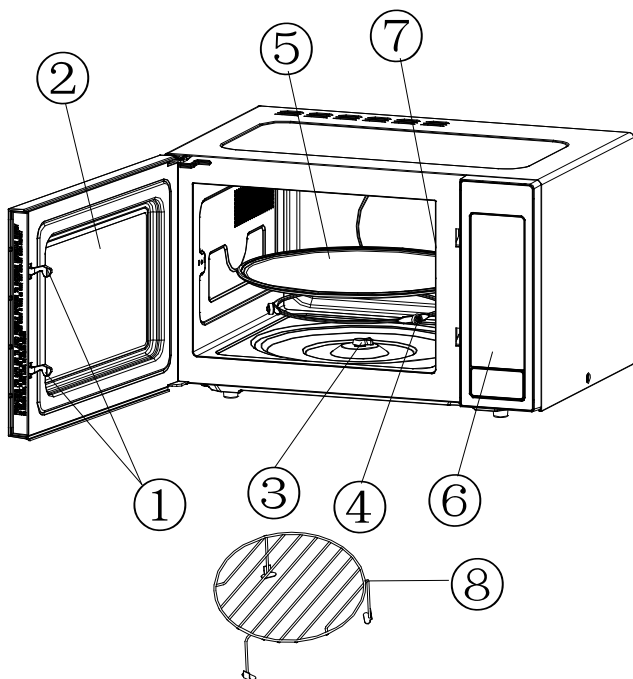
When cooking food with high fat content, do not allow the plastic wrap come into contact with food as it may melt

### **Microwave safe plastic cookware**

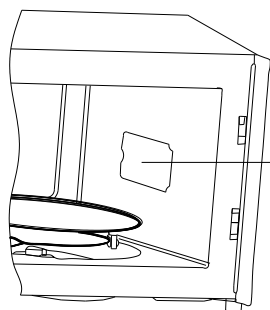
Some microwave safe plastic cookware might not be suitable for cooking foods with high fat and sugar content. Also, the preheating time specified in the dish instruction manual must not be exceeded

## **PARTS & FEATURES**

---



1. **Door Lock**  
Microwave oven door must be properly closed in order for it to operate.
2. **Viewing Window**  
Allow user to see the cooking status.
3. **Rotating Axis**  
The glass turntable sits on the axis; the motor underneath it drives the turntable to rotate.
4. **Rotating Ring**  
The glass turntable sits on its wheels; it supports the turntable and helps it to balance when rotating.
5. **Turntable**  
The food sits on the turntable, its rotation during operation helps to cook food evenly.



Waveguide cover

### **Caution:**

- Place the rotating ring first.
- Fit the turntable onto the rotating axis and make sure that it is geared in properly

## 6. Control Panel

See below in details (the control panel is subjected to change without prior notice).

## 7. Waveguide Cover

**Warning:** Never remove the waveguide cover

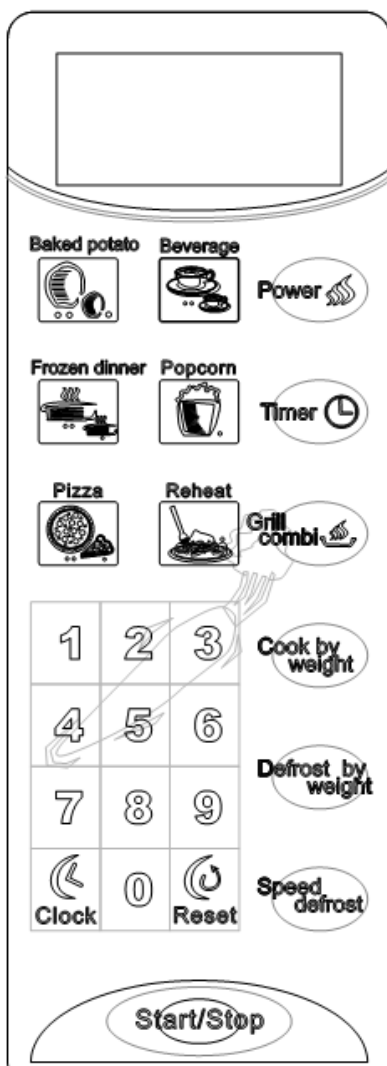
The waveguard cover is inside the microwave oven, next to the wall of control panel.

## 8. Grill Rack

It is inside the microwave oven, next to the wall of control panel.

## OPERATION OF CONTROL PANEL

---



### 1. BEEPS DURING OVEN SETTING

ONE BEEP: Oven accepts the entry.

TWO BEEPS: Oven does not accept the entry, check and try again.

### 2. NUMBER PADS (0-9)

Number pads are used for selecting the food kind and cooking time.

### 3. RESET

Clear all previous settings.

### 4. START/STOP

Touch to start or stop cooking.

### 5. SETTING THE CLOCK

a. On standby state, touch **Clock** key.

**Note:** on the state of setting clock the step can be omitted.

b. Use the number keys to enter the correct time.

You must touch at least three numbers to set the clock (one for hour and two for minutes).

c. Touch **Clock** key again. The system will enter clock state.

**Note:** This is a 24 hour clock. When the oven is first plugged in or when power resumes after a power interruption, the display will show ENTER, CLOCK, TIME, if you prefer to not have the clock displayed, touch **Reset** key. You can check the clock time while cooking is in progress by touching the **Clock** key.

Example: to set 12:30		
	Steps	Display
1	After power-up, the colon ( : ) flashes	:
2	Press the button of “1”, “2”, “3”, “0”	12:30
3	Press the <b>Clock</b> button to confirm it	

## 6. SETTING THE OVEN TIMER

- I. Touch **Timer** key.
- II. Enter the amount of time you want to count down by touching the number keys. Digit time is in minutes and seconds and set left to right. Set one digit (a 5 for 5 seconds) or up to four digits (2405 for 24 minutes, 5 seconds). The maximum number can be entered is 99min, 99sec.
- III. Touch **Start/Stop** key confirm it.

### CAUTION

- Time countdown can be seen in display for 3 seconds before clock or cooking time is returned to display.
- Touch **Timer** and then touch **Reset** to cancel timer during timing process.

## 7. SETTING COOKING TIME AND POWER LEVEL

### A. One-stage cooking

- I. On standby state or clock state, press **Power** repeatedly to select the desired the power level,
- II. Use the number keys to set a cooking time. You can set a cooking time from one second to 99 minutes and 99 seconds. If you are setting a time greater than one minute, you must enter numbers for both minutes and seconds. For example: to set 20 minutes, enter 2, 0, 0, 0.
- III. Touch **Start/Stop** to start cooking. USE THESE SINGLE DIGITS TO REPRESENT POWER LEVELS.

Number key	% of power	Microwave instruction
Tap POWER once	100%	P100 and P90 --- High power, 100% and 90% microwave power. Applicable for quick and thorough cooking
9	90%	
8	80%	P80 and P70 --- Medium High power, 80% and 70% microwave power. Applicable for medium express cooking
7	70%	
6	60%	P60 and P50 --- Medium power, 60% and 50% microwave power. Applicable for steaming food
5	50%	
4	40%	P40 and P30 --- Medium Low power, 40% and 30% microwave power. Applicable for defrosting food
3	30%	
2	20%	P20 and P10 --- Low power, 20% and 10% microwave power. Applicable for keeping warm
1	10%	

### Example: To cook at P80 for 10 minutes.

	Steps	Display
1	After power-up, the colon flashes, then press <b>Reset</b> button once or wait for 30sec	:
2	Touch <b>Power</b> repeatedly to select the desired power level	P80
3	Set cooking time by pressing the number button of “1”, “0”, “0”, “0”	10:00
4	Press <b>Start/Stop</b> button to start, and LED will count down to show left time	

## CAUTION

- The max time which can be set is 99'99''
- Never use the grill rack during microwave cooking.
- Never operate the oven empty.
- If you turn the food during operation, press the **Start/Stop** button once and the preset cooking procedure will continue.
- If you intend to remove the food before the pre-set time, you must press **Reset** button once to clear the preset procedure to avoid unintended operation of next time use.
- At the maximum microwave power, the oven will automatically lower the power after a certain time of cooking to lengthen the service life.

### B. Two-stage cooking

To obtain best cooking result, some recipes call for different cook mode and time. You may program your personalized menu as follow:

Example: You want to cook food with 100P microwave for 3 minutes then grill for 9 minutes.		
	Steps	Display
1	100P microwave for 3min	
1.1	After power-up, the colon flashes, then press <b>Reset</b> once or wait for 30sec	:
1.2	Press <b>Power</b> button once	P100
1.3	Press "3" "0","0" to set power level	3:00
2	Grill for 9min	
2.2	Press <b>Grill/combi</b> button to set grill level	G
2.3	Press "9","0","0" to set cooking time	9:00
3	Start cooking by pressing <b>Start/Stop</b> button	

### 8. SETTING "SPEED DEFROST"

- On standby state or clock state, touch **Speed Defrost** key.
- Enter desired defrosting time by touching correct number keys. Digital timer sets minutes and seconds from left to right so a single digit can be set (5 for 5 seconds) or up to 4 digits (2405 for 24 minutes 5 seconds).
- Touch **Start/Stop** key.

Example: To speed defrost 0.2kg poultry With 2min50sec		
	Steps	Display
1	After power-up, the colon flashes, then press <b>Reset</b> button once or wait for 30sec	:
2	Touch <b>Speed Defrost</b> key	:
3	Set defrost time by pressing the number button of "2","5" ."0"	2:50
4	Start cooking by pressing <b>Start/Stop</b> , and LED will count down to show running time	

## CAUTION

- After time has elapsed four beeps sound and END appears in display. Touch **Reset** key or open the door to clear END before starting another cooking function.
- After setting **Speed Defrost**, oven can be programmed to automatically switch to one or two-stage cooking.

--For speed defrost and one stage cooking, follow steps above. Before touching **Start/Stop** key, touch **Power** key, enter power level and time. Then touch **Start/Stop** key.

--For speed defrost and two stage cooking, follow steps above. Before touching **Start/Stop** key, enter two-stage cooking programs.

## 9. SETTING "COOK BY WEIGHT"

The oven has default cooking menu for simple operation. You set the type and weight of food, and the oven automatically sets the cooking time and power level.

"COOK BY WEIGHT" CODE DESCRIPTIONS		
CODE	YPE	WEIGHT RANGE
1	Beef	0.1, 0.15, 0.2.....2.9, 2.95, 3.0 Kg
2	Mutton	0.1, 0.15, 0.2.....2.9, 2.95, 3.0 Kg
3	Pork	0.1, 0.15, 0.2.....1.9, 1.95, 2.0 Kg

Example: To cook 1.2kg beef		
	Steps	Display
1	After power-up, the colon flashes, then press <b>Reset</b> button once or wait for 30sec	:
2	Touch <b>Cook By Weight</b> button once	
3	Select the food kind by entering Code "1"	0.
4	Set food weight by pressing number "1" "2" "0"	1.20
5	The oven start cooking and time will appear automatically.	

During cooking two beeps will be sound, it reminds you to turn over the food, after finishing turning over food, press **Start/Stop** to resume cooking

### CAUTION

- Weight must be in Kg.
- After total cooking time, 4 beeps sound and END appears in display. Touch **Reset** or open oven door to clear END before starting another cooking function.
- Please wait for few minutes before take food out.

## 10. SETTING "DEFROST BY WEIGHT"

You set the type and weight of food, and the oven automatically sets the defrosting time.

Example: To defrost 1.15kg beef		
	Steps	Display
1	After power-up, the colon flashes ,Then press <b>Reset</b> button once or wait for 30sec	:
2	Press <b>Defrost By weight</b> button	0.
3	Set defrosting weight by pressing the number button of "1", "1", "5"	1.15
4	Start cooking by pressing <b>Start/Stop</b> and LED will count down to show running time.	

During cooking two beeps will be sound, it reminds you to turn over the food, after finishing turning over food, press **Start/Stop** to resume cooking

### CAUTION

- It is necessary to turn over the food during operation to obtain uniform effect.

- b. Usually defrosting will need longer time than that of cooking the food.
- c. If the food can be cut by knife, the defrosting process can be considered completed.
- d. Microwave penetrates around 4cm into most food
- e. Defrosted food should be consumed as soon as possible, it is not advised to put back to fridge and freeze again
- f. Weight must be in kg, you can set the Food weight from 0.1, 0.15. 0.2.....2.9, 2.95, 3.0 Kg.

## 11. GRILL AND GRILL COMBINATION

G	Grill, the heat element will be energized during operation time. Which is applicable for rolling thin meats or pork, sausage, chicken wing as good brown color can be obtained
C.	Combination of Grill and microwave cooking. 30% of time microwave output and 70% of time grilling
C.	Combination of Grill and microwave cooking. 55% of time microwave output and 45% of time grilling

### CAUTION

In the mode of grill/combi, all of the oven parts, as well as the rack and cooking containers, may become very hot. Use caution when removing any item from the oven. Use heavy potholders or oven mitts to PREVENT SCALD.

Example: To grill food with C2 cook menu for 10 minutes		
	Steps	Display
1	After power-up, the colon flashes	:
2	Press <b>Grill Combi</b> button to select desired grill menu	C.2
3	Set cooking time by pressing the number "1" "0" "0" "0"	10:00
4	Press <b>Start/Stop</b> to start cooking	

## 12. ABOUT "QUICK COOK" SETTINGS

"QUICK COOK" allow you to cook or reheat food automatically without entering power level or time. When setting "quick cook", check visual guide on key for correct setting. These include the "POPCORN", "BAKED POTATO", "PIZZA", "BEVERAGE", "FROZEN DINNER", "REHEAT".

### ※ Setting "Popcorn"

1. On standby state or clock state, touch **Popcorn** key. POPCORN automatically sets the cooking time of microwave popcorn.
2. Touch **Start/Stop** key.

### CAUTION

To reset **Popcorn** time: tap **Popcorn** key twice. ENTER TIME appears in display. Touch number keys to enter minutes and seconds. Touch **Start/Stop** key. This new cooking time will remain whenever you touch the **Popcorn** key until you reset it.

### ※ Setting "Baked potato"

For potatoes (0.11 to 0.17 kg per share):

1. On standby state or clock state, touch **Baked potato** key once.

2. Enter number or potatoes by touching number keys from 1 to 4.
3. Touch **Start/Stop** key.

#### ※Setting “Pizza”

Reheating a slice (or two thin ones) of leftover pizza:

1. On standby state or clock state, touch **Pizza** key once.
2. Touch **Start/Stop** key.

#### ※Setting “Beverage”

For coffee cups (0.14 to 0.2kg per share):

1. On standby state or clock state, touch **Beverage** pad once.
2. Enter number of cups by touching number pads from 1 to 4.
3. Touch **Start/Stop** key.

#### ※ Setting “Frozen dinner”

Microwaving one or two small (0.2 to 0.25kg) frozen dinner:

1. On standby state or clock state, touch **Frozen dinner** key once.
2. Touch 1 or 2 key to select 1 entree or 2 entrees.
3. Touch **Start/Stop** key.

#### ※ Setting “Reheat”

- 1) On standby state or clock state, touch **Reheat** key.
- 2) Touch **Start/Stop** key.

### **CAUTION**

This setting lets you reheat a dinner plate of chilled leftovers with good results.

## 13. SETTING CHILD LOCK

Use this feature to lock the control panel when you are cleaning or so that children cannot use the oven unsupervised. All the buttons are rendered inoperable in this mode.

Set lock---hold **Reset** button about 3 seconds.

Cancel lock---hold **Reset** button about 3 seconds.

**WARNING: TO AVOID RISK OF INJURY AND BURNS, DO NOT TOUCH HOT SURFACES WHEN THE OVEN IS IN USE. ALWAYS USE OVEN MITTS.**

**CAUTION: ALWAYS USE EXTREME CARE WHEN REMOVING THE BAKE TRAY, WIRE RACK OR ANY HOT CONTAINER FROM THE HOT OVEN. ALWAYS USE THE TRAY HANDLE, OR OVEN MITTS WHEN REMOVING HOT ITEMS FROM THE OVEN. ALWAYS PLACE THE HOT ITEM ON A HEAT RESISTANT MAT ON A FLAT SURFACE.**

## CLEANING & CARE

---

### **WARNING: BE SURE TO UNPLUG THE UNIT AND ALLOW IT TO COOL BEFORE CLEANING**

1. Turn off the oven and remove the power plug from the wall socket before cleaning.
2. Keep the inside of the oven clean. When food splatters or spilled liquids adhere to oven walls, wipe with a damp cloth. Mild detergent may be used if the oven gets very dirty. Avoid the use of spray and other harsh cleaners as they may stain, streak or dull the door surface.
3. The outside surfaces should be cleaned with a damp cloth. To prevent damage to the operating parts inside the oven, water should not be allowed to seep into the ventilation openings.
4. Wipe the door and window on both sides; the door seals and adjacent parts frequently with a damp cloth to remove any spills or splatters. Do not use abrasive cleaner.
5. Do not allow the control panel to become wet. Clean with a soft, damp cloth. When cleaning the control panel, leave oven door open to prevent oven from accidentally turning on.
6. If steam accumulates inside or around the outside of the oven door, wipe with a soft cloth. This may occur when the microwave oven is operated under high humidity condition. And it is normal.
7. It is occasionally necessary to remove the glass tray for cleaning. Wash the tray in warm sudsy water or in a dishwasher.
8. The roller ring and oven floor should be cleaned regularly to avoid excessive noise. Simply wipe the bottom surface of the oven with mild detergent. The roller ring may be washed in mild sudsy water or dishwasher. When removing the roller ring from cavity floor for cleaning, be sure to replace in the proper position.
9. Remove odors from your oven by combining a cup of water with the juice and skin of one lemon in a deep microwaveable bowl, microwave for 5 minutes. Wipe thoroughly and dry with a soft cloth.
10. When it becomes necessary to replace the oven light, please consult a serviceman/electrician to have it replaced.
11. The oven should be cleaned regularly and any food deposits removed. Failure to maintain the oven in a clean condition could lead to deterioration of the surface that could adversely affect the life of the appliance and possibly result in a hazardous situation.
12. Please do not dispose this appliance into the domestic rubbish bin; it should be disposed to the particular disposal center provided by the municipalities.

## CUSTOMER SERVICE

---

### **Australian Customer Service**

GAF Control (Sales) Pty Ltd

P.O Box 19

Altona North, Victoria, 3025

Phone: 1300 659 489

Hours: 9am-5pm (EST) Mon-Fri

**[www.gafcontrol.com.au](http://www.gafcontrol.com.au)**

\*This product may vary slightly to the product illustrated due to ongoing product development.