

HELLER

Instruction Manual

Oil Free Column Heaters 2000W

Models: HOFC2000 & HOFC2000B



READ & SAVE THESE INSTRUCTIONS

IMPORTANT

Read and follow the instructions in this user manual even if you feel you are familiar with the product, and find a place to keep it handy for future reference.

For your convenience record the complete model number (located on the product identification plate) and the date you received the product, together with your purchase receipt and attach to the warranty and service information. Retain in the event that warranty service is required.

NOTE: The rating of this product (as marked on the product identification plate) is based on specific loading tests. Normal use or the use of other recommended attachments may draw significantly less power.

IMPORTANT SAFEGUARDS

When using any electrically powered product, basic safety precautions should always be followed, including the following:

PLEASE READ ALL INSTRUCTIONS CAREFULLY BEFORE USING THIS PRODUCT

WARNING! - to reduce the risk of fire, electrical shock or injury to persons or property:

- Carefully read all instructions before operating your new product for the first time and save for future reference.
- Remove and safely discard any packaging material and promotional labels before using the appliance for the first time.
- To eliminate a choking hazard for young children, remove and safely discard the protective cover fitted to the plug of this appliance.
- Always operate the product from a power source of the same voltage, frequency and rating as indicated on the product identification plate.
- This appliance is not intended for use by persons (including children) with reduced physical, sensory or mental capabilities, or lack of experience and knowledge, unless they have been given supervision or instruction concerning use of the appliance by a person responsible for their safety.
- Close supervision is necessary when the product is used by or near children or invalids. Children should be supervised to ensure that they do not play with the appliance.
- This product must not be located immediately below a socket outlet and should not be used in the immediate vicinity of water, such as bathtubs, washbowls, swimming pools etc. where the likelihood of immersion or splashing could occur.
- **WARNING: IN ORDER TO AVOID OVERHEATING, DO NOT COVER THE HEATER, OR OPERATE IN CLOSE PROXIMITY TO CURTAINS, ETC. CHECK AIR INLETS AND OUTLETS FROM TIME TO TIME FOR ACCUMULATED DUST.**
- Children should be supervised to ensure that they do not play with the appliance.
- Do not operate the appliance with a damaged cord or plug, or after the product malfunctions, or is dropped or appears damaged in any way. Do not tamper with the appliance or attempt to open the end panels. Return the complete unit to the place of purchase for inspection, repair or replacement.
- Use the appliance only in the upright position. The heater must not be located immediately below a socket-outlet. Do not immerse in liquid when cleaning.
- Keep the appliance away from flammable liquids and gases.
- Keep the appliance away from wet areas. Do not use this heater in the immediate surroundings of a bath, a shower or a swimming pool.
- In order to avoid overheating, do not cover the heater. Do not use it to dry clothes.
- Always keep the appliance well away from curtains, furniture and flammable materials. Ensure at all times there is an unrestricted airflow around the appliance.
- Always disconnect the plug from the wall socket when the appliance is not in use.

- Do not position the appliance immediately below a socket-outlet.
- Do not leave the heater running unattended.
- Do not use the appliance other than its intended use.
- Do not immerse or expose the product or flexible cord to rain, moisture or any other liquid.
- Switch off and unplug from outlet when the product is not in use and before cleaning. Always allow the unit to cool down first before cleaning or storing it away.
- To avoid personal injuries or property damage, do not insert any body parts (e.g. finger) or objects through the air inlet or outlet openings when the heater is operating.
- This product is intended for normal domestic/household use only.
- Always disconnect the heater when moving it from one location to another.
- The use of attachments or accessories not recommended or sold by the product distributor may cause personal or property hazards or injuries.
- The surfaces of the heater are very hot during operation. Avoid contact with the wind outlet. Use handles and knobs if necessary.
- Do not twist or wrap the power cord around the appliance as this may cause the insulation to weaken and split, particularly where it enters the unit.
- Use of an extension cord is not recommended. However, if it is absolutely necessary ensure the cord is short as possible (long cords coiled up can overheat and cause tripping accidents).
- Do not use the appliance on the same socket or electric circuit with other electrical appliances so as to prevent the circuit from being overloaded, which will cause fire. Please do not prolong the power cords by yourself or use movable socket.
- Ensure the cord is fully extended before use and accommodate it so that it is not in touch with any part of the heater.
- Do not use the heater in areas such as garages where petrol or other flammable substances are used or stored. Do not use the heater when flammable sprays, solvents and glues are in use.
- Keep combustible materials such as furniture, pillows, bedding, clothes and curtains at least 3m from sides of heater.
- Ensure heater is not blocked and there are spacing of at least 3m around its sides and 120cm from the front or heat outlet.
- Avoid touching the heater body whilst the heater is on. Do not move the appliance while it is functioning in order to avoid overheating with the additional risk of fire.
- Do not use the heater to dry your laundry. Never obstruct the intake and outlet grilles (danger of overheating).
- When the appliance is used in portable version, do not place it up against the walls, furniture, curtains, etc.
- The appliance must not be positioned directly underneath a fixed power point.
- Do not use the appliance while it is cooling down, in order to avoid overheating with the attendant risk of fire.
- Do not use the appliance in rooms less than 4m² area.
- **CAUTION: Surfaces are hot during use. Please use handle or knob**
- The installation of a residual current device (safety switch) is recommended to provide additional safety protection when using electrical appliances. It is advisable that a safety switch with a rated residual operating current not exceeding 30mA be installed in the electrical circuit supplying the appliance. See your electrician for professional advice.
- Always direct the airflow in order to optimize the heating of the room.
- Avoid the corners, small volumes, wood floors, ceiling, etc.

READ AND SAVE THESE INSTRUCTIONS FOR FUTURE REFERENCE

BEFORE FIRST USE

Read and follow the instructions in this user manual even if you feel you are familiar with the product, and find a place to keep it handy for future reference.

For your convenience record the complete model number (located on the product identification plate) and the date you received the product, together with your purchase receipt and attach to the warranty and service information. Retain in the event that warranty service is required.

NOTE: The rating of this product (as marked on the product identification plate) is based on specific loading tests. Normal use or the use of other recommended attachments may draw significantly less power.

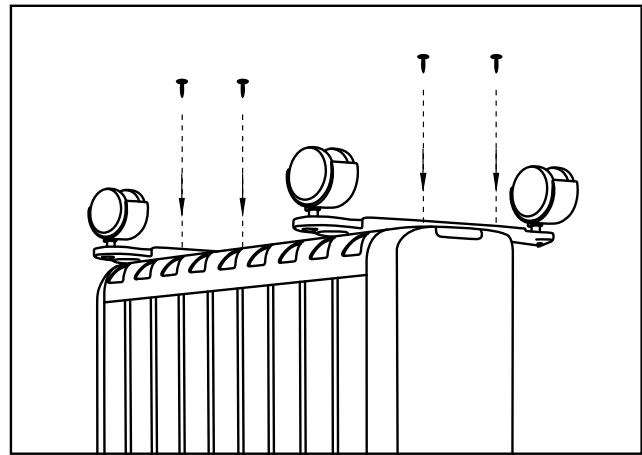
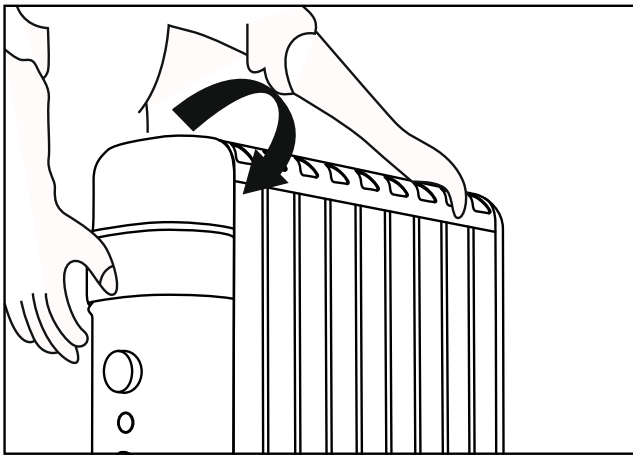
INSTALLATION & LOCATION

The appliance requires no installation; it should be used solely as a portable appliance.

NOTE: Portable appliances are not suitable for use in a bathroom. The Appliance should be placed with a minimum distance of 1 metre away from flammable objects (e.g. curtains), walls or other structures.

ASSEMBLY INSTRUCTIONS

1. Put the heater on a flat, dry and clean surface.
2. To attach the castors, turn the appliance upside down. Install the castors as shown on the below drawing.



WARNING:

- Always use your appliance with the castors fixed.
- Never use the heater near curtains and blinds. Keep combustible materials such as furniture, pillows, bedding, clothes and curtains at least 3m from sides of heater.
- Surface of the heater gets very hot. Keep away from children and pets.
- Always direct the airflow in order to optimize the heating of the room.
- Avoid the corners, small volumes, wood floors, ceiling, etc.

OPERATIONS

NOTE: Before inserting the plug into a power outlet, make sure that the correct voltage being used corresponds to what is indicated on the rating label, and that the socket has an earth facility.

1. Plug the plug into the power outlet.
2. To turn the heater on, press the switch to set the power in:
 - a. Low Power (I) or (II)
 - b. High Power (I + II)

Model No.	Low Power		High Power
	I	II	I+II
HOFC2000	1000W	1000W	2000W
HOFC2000B	1000W	1000W	2000W

3. Set the temperature with the thermostat.
4. To stop the heater, press the switch to no power position.
5. Unplug the product when it's not in use

HINTS & TIPS

- Always use the heater on high power (with 2 elements on) when the room is warm enough. Afterwards, use one element.
- Do not overheat your home, in winter the temperature of a heated room should be between 18-21°C
- Choose the right size heater for the room that you wish to heat.
- Zone off the unoccupied rooms by closing doors, and curtains to limit heat loss.
- Use draft stoppers where possible, to keep the cold air from filtering in under doors.
- Avoid placing items or sitting too close to the heater for optimal air flow.

CLEANING & MAINTENANCE

The heater requires regular cleaning to ensure trouble free operation:

- Unplug the heater from the mains supply before cleaning.
- Ensure that the heater has been allowed to cool before cleaning.
- Use a damp cloth (not wet) to wipe the exterior of the heater to remove dust and dirt.
- Ensure the heater is dry before plugging back into the mains supply.
- Never immerse the appliance in water.
- Do not allow water or other liquids to run into the interior of the product, as this could create a fire and/or electrical hazard.
- We also recommend the periodic cleaning of this appliance by lightly running a vacuum cleaner nozzle over the guards to remove any dust or dirt that may have accumulated inside or on the unit.

CAUTION: Do not use harsh detergents, chemical cleaners or solvents as they may damage the surface finish of the heater.



Warning: In order to avoid overheating, do not cover the heater.

WARNING - Fabric, clothing or other flammable materials may ignite if placed against or in close proximity to the heater. No flammable materials should be placed within 120cm of the front or heat outlet and 3m of sides or rear of the heater. Do not cover the heater. This appliance is for indoor use only. Do not use outdoors.

SPECIFICATIONS

Model	Product Description	Voltage	Frequency	Wattage
HOFC2000	Oil Free Column Heater (White)	220-240Vac	50/60Hz	2000W
HOFC2000B	Oil Free Column Heater (Black)	220-240Vac	50/60Hz	2000W

ENVIRONMENTALLY FRIENDLY DISPOSALS



This marking indicates that this product should not be disposed of with other household waste. To prevent possible harm to the environment or human health from uncontrolled waste disposal, recycle it responsibly to promote the sustainable re-use of material resources. To dispose of your appliance correctly, please contact or take it to your local refuse/ recycling centre. Alternatively, contact your local council or information on your local re-use centre. Please make this product environmentally safe for recycling.



CUSTOMER SERVICE

Australian Customer Service

GAF Control (Sales) Pty Ltd

P.O Box 19

Altona North, Victoria, 3025

Phone: 1300 659 489

Hours: 9am-5pm (EST) Mon-Fri

www.gafcontrol.com.au

*This product may vary slightly to the product illustrated due to ongoing product development.