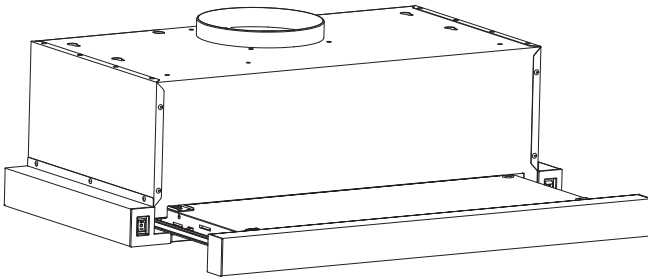


HELLER

Range hood

Instruction Manual

Model: HSORH60 & HSORH90



Thank you for choosing our Range Hood

It is essential to read this manual carefully before it is installed and used for the first time.

Dear Users:

Thank you for buying our range hood. Please accept our best regards. Please read this user manual carefully before installation and operation.

The pictures in this manual only for your reference. If the picture isn't accord with object, subject to object. We keep to right to update appearance, structure or products without notice.

Safety Warning

Never let the children operate the machine.

The cooker hood is for home use only, not suitable for barbecue, roast shop and other commercial purpose.

The cooker hood and its filter should be clean regularly in order to keep in good working condition.

Clean the cooker hood according to the instruction manual and keep the unit from danger of burning.

Forbid the direct baking from the gas cooker.

Please keep the kitchen from a good convection.

Before connecting this appliance, check if the power supply cord is not damaged. If the supply cord is damaged, it must be replaced by the manufacturer, its service agent or similarly qualified persons in order to avoid a hazard .

There is fire risk if cleaning is not carried out in accordance with the instructions.

There shall be adequate ventilation of the room when the range hood is used at the same time as appliances burning gas or other fuels.

The air must not be discharged into a flue that is used for exhausting fumes from appliances burning gas or other fuels.

Regulations concerning the discharge of air have to be fulfilled.

Do not flame under the range hood.

The range hood is not intended to be installed over a hob having more than four hob elements.

This appliance is not intended for use by persons (including children) with reduced physical, sensory or mental capabilities, or lack of experience and knowledge, unless they have been given supervision or instruction concerning use of the appliance by a person responsible for their safety.

Children should be supervised to ensure that they do not play with the appliance.

When the range hood and appliances supplied with energy other than electricity are simultaneously in operation, the negative pressure in the room must not exceed 4 Pa(4x 10⁻⁵ bar)

CAUTION: Accessible parts may become hot when used with cooking appliance.

The light source contained in this luminaire shall only be replaced by the manufacturer or his service agent or a similar qualified person.

If the external flexible cable or cord of this luminaire is damaged, it shall be exclusively replaced by the manufacturer or his service agent or a similar qualified person in order to avoid a hazard.

Electrical Shock Hazard

Only plug this unit into a properly earthed outlet. If in doubt seek advice from a suitably qualified engineer.

Failure to follow these instructions can result in death, fire, or electrical shock.

The instructions shall state the substance of the following:

- there shall be adequate ventilation of the room when the range hood is used at the same time as appliances burning gas or other fuels(not applicable to appliances that only discharge the air back into the room);
- the details concerning the method and frequency of cleaning;
- there is fire risk if cleaning is not carried out in accordance with The instruction;
- CAUTION:** Accessible parts may become hot when used with cooking appliances;
- The air must not be discharged into a flue that is used for exhausting fumes from appliances burning gas or other fuels(not applicable to appliances that only discharge the air back into the room);
- the minimum distance between the supporting surface for the cooking vessels on the hob and the lowest part of the range hood.(When the range vessels on the hob and the lowest part of the range hood.(When the range hood is located above a gas appliance, this distance shall be at least 65 cm.
- regulations concerning the discharge of air have to be fulfilled.

NOTICE

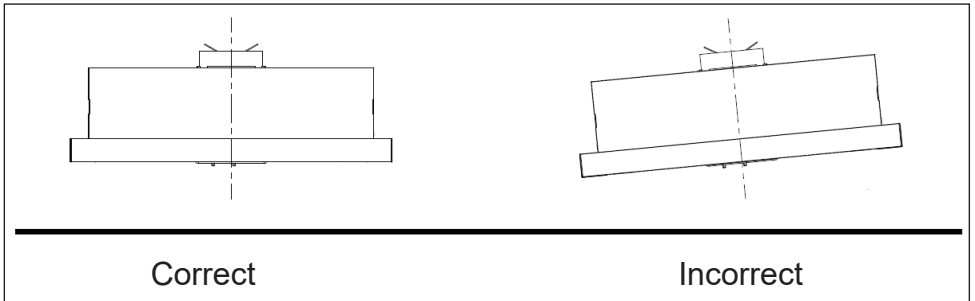
1. Thank you for choosing our cooker hood. Please read the instruction manual carefully before use.
2. The installation work must be undertaken by a qualified and competent fitter.
3. The manufacturer disclaims all liability for any damage or injury caused as a result of not following instructions for installation contained in the following text. The cooker hood is used on 220/240V, 50Hz.

FEATURE

1. The cooker hood uses high quality materials, and is made with a streamlined design.
2. Equipped with a large power low noise electric motor and centrifugal leaf, it produces strong suction, low noise, non stick grease filter and easy to clean.
3. Special wind tunnel construction and oil collector design, free dirt will be absorbed in a second.

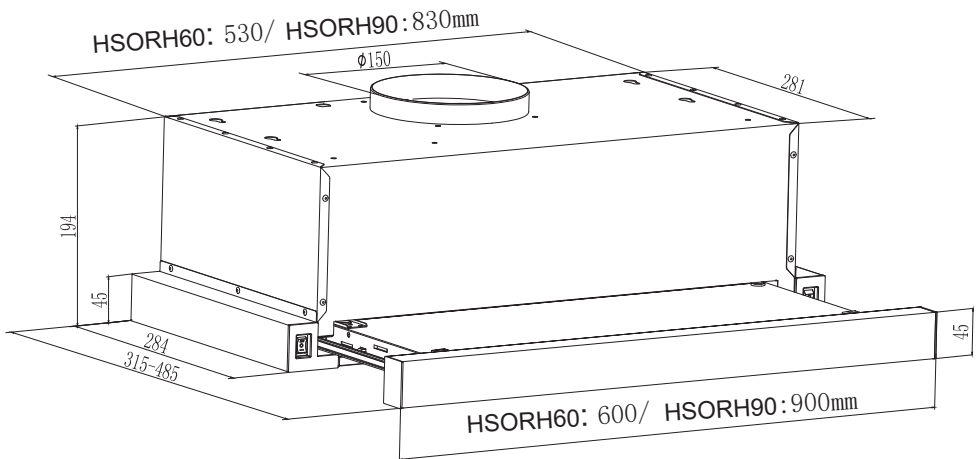
NOTICE OF INSTALLATION

1. Before installation, please ensure the area is clean to avoid suction of the remaining bits of broken wood and dust.
2. It cannot share the same air ventilation tube with other appliance such as gas tube, warmer tube, and hot wind tube.
3. The bending of ventilation tube should be $\geq 120^\circ$, parallel or above the start point and should be connected to the external wall.
4. After installation, make sure that the extractor is level to avoid grease collection at one end.



Model :HSORH60 & HSORH90

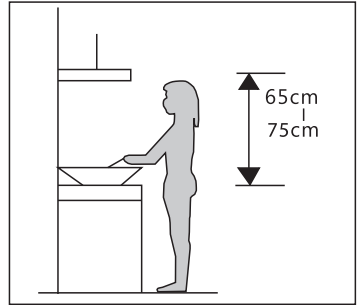
PRODUCT DIMENSION



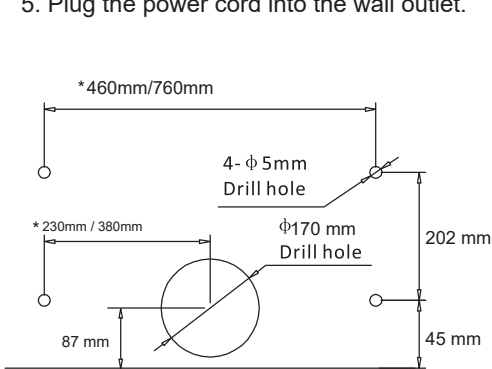
INSTALLATION

The cooker hood can be installed as extractor or recirculation hood.

1. The cooker hood should be placed at a distance of 65-75 cm from the cooking surface for the best effect. See Pic.1.
2. Drill 4 holes of $\varnothing 5\text{mm}$ and one hole of $\varnothing 170\text{mm}$ at the bottom of the hanging cupboard according to Pic.2.& Pic.3.
3. Open filters, keep the hood in line, insert screws and swelling rubber plug, tighten the screws. Fix filters.
4. After the hood has been hung, install the optional flexible outlet duct ($\varnothing 150\text{ mm}$) to the vent on the top of the cooker hood(Pic. 4).If required. Insert the second part of the flexible duct in the opening prepared in the wall.
5. Plug the power cord into the wall outlet.

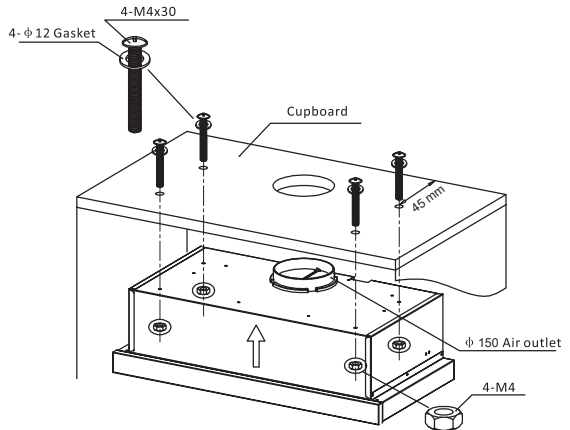


Pic 1

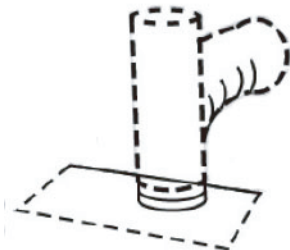


Pic 2 Drill size diagram

Note: * Sizes are specific to HSORH60 / HSORH90 respectively.



Pic 3 Installation diagram



Pic 4

OPERATION

Before first use

Before first use you should wipe the outside and inside of the appliance with a damp cloth for hygiene reasons.

Ventilation mode

The extracted air is discharged through the flexible outlet duct out of the room. If the appliance is equipped with a charcoal filter, remove it (see chapter Maintenance).

Recirculation mode

If there is no possibility of discharging the extracted air out of the room, you can use the recirculation mode. In this case, the extracted air is filtered through the metal filters and the charcoal filter. An active carbon in this filter absorbs the smell. Air, free from odours, flows back into the room through openings situated in the front cover of the appliance's body. When the recirculation mode is used, it is necessary to purchase and install the appropriate charcoal filters (see chapter Maintenance).

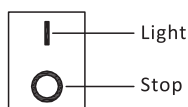
Operation step

1. Slide the front of the appliance to extend the air suction capacity.
2. Use the switches according to the switch instruction.

1. Motor Switch



2. Lamp Switch



1. Motor switch

I is low speed, II is high speed, O is off .

2. Lamp switch

I is light on, O is light off.

MAINTENANCE

Disconnect the power cord from the wall outlet before cleaning and maintenance. To clean the appliance outside, use a damp cloth, a soft brush or a fine sponge, and then wipe it dry. Do not use coarse abrasive cleaning agents or sharp metal scrapers for cleaning of the appliance as this could result in surface scoring. Never leave aggressive or acidic substances (lemon juice, vinegar) on enamelled or stainless parts of the appliance.

Cleaning and replacement of filters

Metal grease filters

When the appliance is in common use, the metal grease filters should be checked or cleaned every month. In case of more frequent frying or deep frying, shorten this interval.

Do not use the appliance without the metal grease filters properly installed!

1. Remove the metal filters as shown in Fig. 1.
2. Let the metal filters soak in warm water with addition of a detergent or put them into a washer with a cleaning agent and set temperature below 60 °C. In case of soaking in warm water, clean the metal filters with a fine brush, rinse them with clean water and let them dry.
3. Attach the dried filters back.

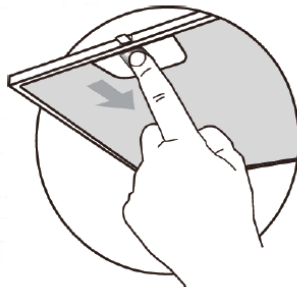


Fig.1

MAINTENANCE

Charcoal filter (to be purchased)

This filter is only used for the recirculation mode.

The filter contains an active carbon absorbing the smell being discharged. The active carbon will be saturated after some time, hence the absorption capacity will be shortened. This filter cannot be washed or cleaned in any other way.

When the appliance is in common use, the charcoal filter should be replaced every 2-3 months. In case of more frequent frying or deep frying, shorten this interval.

1.Remove the metal filters as shown in Fig. 1.

2.The charcoal filters are situated on both sides of the motor. Turn the filters, until they are secured (see Fig. 2).

3.To replace the charcoal filter, proceed in reverse order.

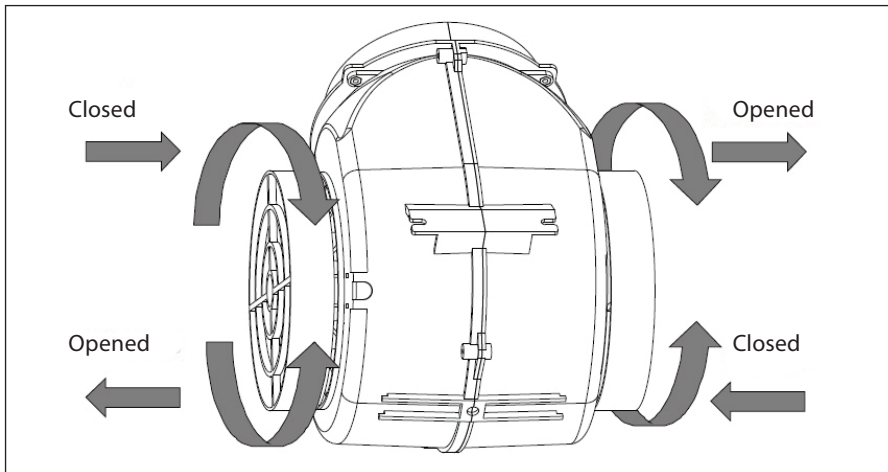


Fig. 2

TROUBLESHOOTING

Fault	Cause	Solution
Light on, but motor does not work	The leaf blocked	Get rid of the blocking
	The capacitor damaged	Replace capacitor
	The motor jammed bearing damaged	Replace motor
	The internal with of motor off or a bad smell from the motor	Replace motor
Light does not work, motor does not work	Beside the above mentioned, check the following:	
	Light damaged	Replace lights
	Power cord looses	Connect the wires as per the electric diagram
Oil drops from the metal grease filer	Heavily fouled filer	Immediately clean or replace the metal grease filer
Shake of the body	The leaf damaged and causes shaking	Replace the leaf
	The motor is not tightly hanged	Lock the motor tightly
	The body is not tightly hanged	Fixed the body tightly
Insufficient suction	The body is not tightly hanged	Readjust the distance
	Too much ventilation from open doors or windows	Choose a new place and resemble the machine
The machine inclines	The fixing screw not tight enough	Tighten the hanging screw and make it horizontal
	The hanging screw not tight enough	Tighten the hanging screw and make it horizontal