

HELLER

Instruction Manual

45cm Metal Pedestal Fan - Chrome

Model: MPF45C



READ AND SAVE THESE INSTRUCTIONS

Please read and follow the instructions in this user manual even if you feel you are familiar with the product, and find a place to keep it handy for future reference.

For your convenience record the complete model number (located on the product identification plate) and the date you received the product, together with your purchase receipt and attach to the warranty and service information. Retain in the event that warranty service is required.

NOTE: The rating of this product (as marked on the product identification plate) is based on specific loading tests. Normal use or the use of other recommended attachments may draw significantly less power.

IMPORTANT SAFEGUARDS

When using any electrically powered product, basic safety precautions should always be followed, including the following:

PLEASE READ ALL INSTRUCTIONS CAREFULLY BEFORE USING THIS PRODUCT

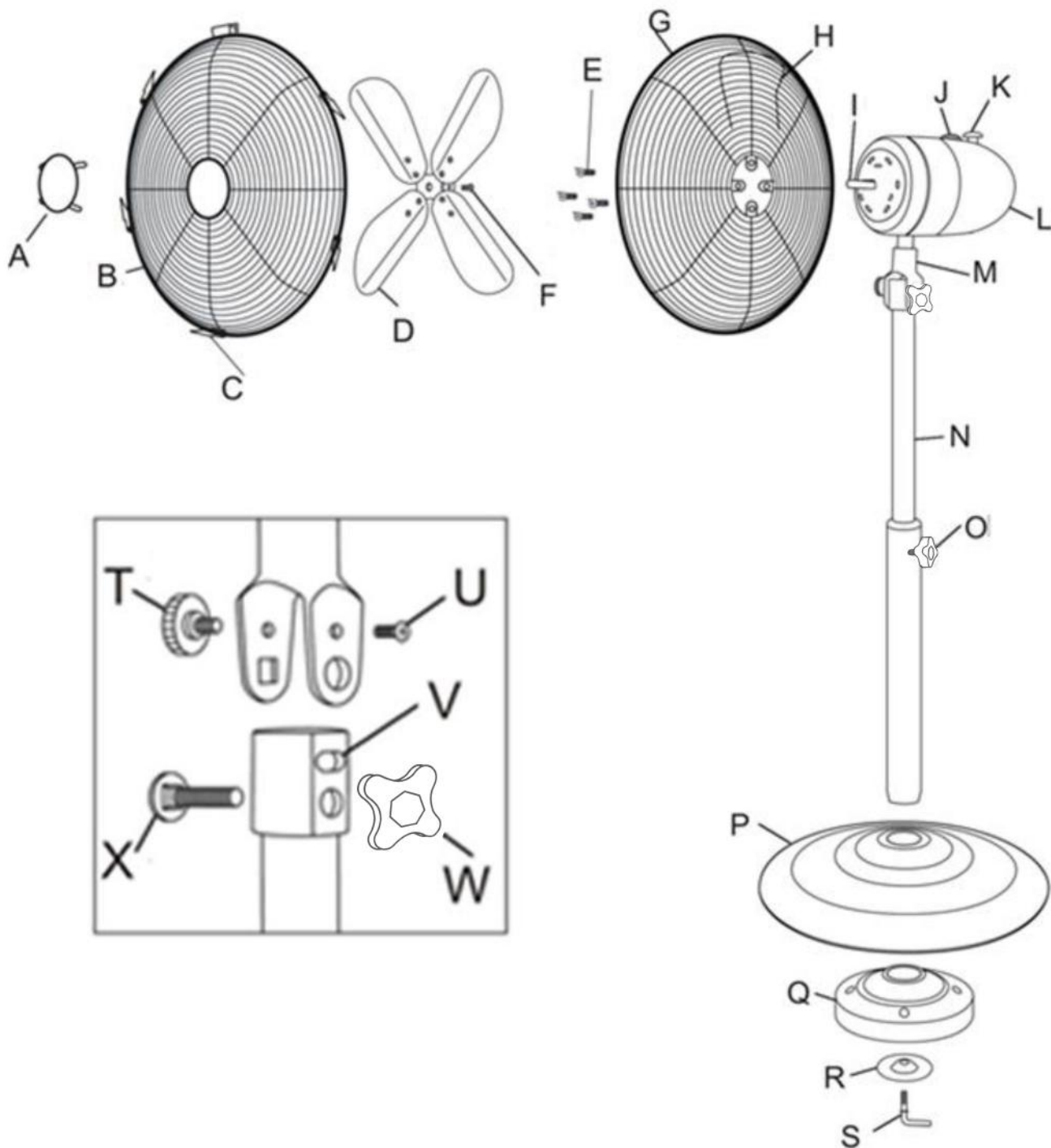
WARNING! - to reduce the risk of fire, electrical shock or injury to persons or property:

- Always operate the product from a power source of the same voltage, frequency and rating as indicated on the product identification plate.
- To reduce the risk of electric shock, do not use this fan with any solid state speed control device.
- Remove the unit from its packaging and check to make sure it is in good condition before using.
- Do not let children play with parts of the packing (such as plastic bags).
- Close supervision is necessary when the product is used by or near children or infirm persons. Do not allow children to use it as a toy.
- Do not operate any product with a damaged cord or plug, or after the product malfunctions, or is dropped or appears damaged in any way. Return the complete product to the place of purchase for inspection, repair or replacement.
- Before unplugging the power cord, be sure to turn the power off. When touching the unit, be sure your hands are dry to prevent electrical shock.
- Fully remove the power cord from the power cord tidy before use. Always uncoil the power cord before applying power.
- Ensure the fan is mounted on a stable, even wall, which is strong enough to hold it.
- Never install the unit where it is exposed to direct sunlight, excessive moisture/rain, dust and lack of ventilation near any heat sources.
- Avoid making contact with moving parts. Never insert fingers, pencils or any other objects through the guards whenever the power plug is connected, especially while the unit is working.
- To reduce the risk of electric shock, do not immerse or expose the product or flexible cord to rain, moisture or any liquid other than those necessary for correct operation of the product.
- This product should not be used in the immediate vicinity of water, such as bathtub, washbowl, bathroom swimming pool etc. Where the likelihood of immersion or splashing could occur.
- Switch off and unplug from outlet when not in use, before assembling or disassembling parts and before cleaning. Remove by grasping the plug - do not pull on the cord.
- Be sure that no other high current appliances are plugged into the same circuit with your fan as an overload can occur.
- Do not use this unit with a programmer timer or any other device that switches the unit 'On' automatically, since a fire risk exist the unit is covered or positioned incorrectly.
- Avoid the use of an extension cord as the extension cord may overheat and cause a risk of fire.

- Do not plug this unit into an extension lead, double adaptor or power board.
- Do not use the appliance for other than its intended use.
- Do not use outdoors. **FOR INDOOR USE ONLY.**
- This unit is not intended for use in bathrooms, laundry areas or similar moist indoor locations. Never locate the unit where it may fall into a bathtub, sink or any other water container.
- Do not run the power cord under carpeting or cover the power cord with throw rugs, runners or the like. Arrange the power cord away from traffic areas and where it will not be a hazard to persons.
- Do not place the power cord over any part of the unit.
- Do not leave the appliance unattended when switched on.
- Do not cover the grille, or operate in close proximity to curtains etc.
- Do not block air circulation.
- Do not move the machine when it is switched 'On' and in use.
- Place the appliance on a flat, even level surface.
- To disconnect the unit, set the main switch to 'OFF' then remove the plug from the outlet.
- This unit has hot electrical parts inside. DO NOT use it in areas where gasoline, paint or flammable liquids are used or stored.
- Unplug the appliance during filling and cleaning.
- This product must always be used and stored in the upright position.
- The use of attachments or accessories not recommended or sold by the product distributor may cause personal or property hazards or injuries.
- This product is intended for normal domestic/household use only.
- Use this fan as described in this manual. Any other uses, not recommended by the manufacturer, may cause fire, electric shock, or injury to persons and may void the warranty.
- This appliance is not intended for use by persons (including children) with reduced physical, sensory or mental capabilities, or lack of experience and knowledge, unless they have been given supervision or instruction concerning the use of the appliance by a person responsible for their safety.
- The installation of a residual current device (safety switch) is recommended to provide additional safety protection when using electrical appliances. It is advisable that a safety switch with a rated residual operating current not exceeding 30mA be installed in the electrical circuit supplying the appliance. See your electrician for professional advice.
- Children should be supervised to ensure that they do not play with the appliance.
- Do not leave the fan running unattended.
- **WARNING:** If the supply power cord is damaged, the power cord must be replaced by the manufacturer, its service agent or similarly qualified persons in order to avoid a hazard.
- This product has not been designed for any uses other than those specified in this booklet.

SAVE THESE INSTRUCTIONS

PARTS & FEATURES



A	Grille Decoration	M	Fan Head Neck
B	Front Grille	N	Pole
C	Clasp	O	Adjustable Height Knob
D	Fan Blade	P	Fan Base
E	Back Grille Securing Screws	Q	Black Weight
F	Securing Screw	R	Washer
G	Back Grille	S	Locking Lever
H	Carrying Handle	T	Adjustable Tilt Knob
I	Motor Shaft	U	Locating Screw
J	Speed Control Knob	V	Neck Fixing Nut
K	Oscillation Knob	W	Neck Fixing Knob
L	Motor Housing	X	Neck Fixing Bolt

BEFORE FIRST USE

Before use, remove all packaging and inspect the appliance for any damage. If there appears to be any damage, please take the unit back to place of purchase for a replacement.

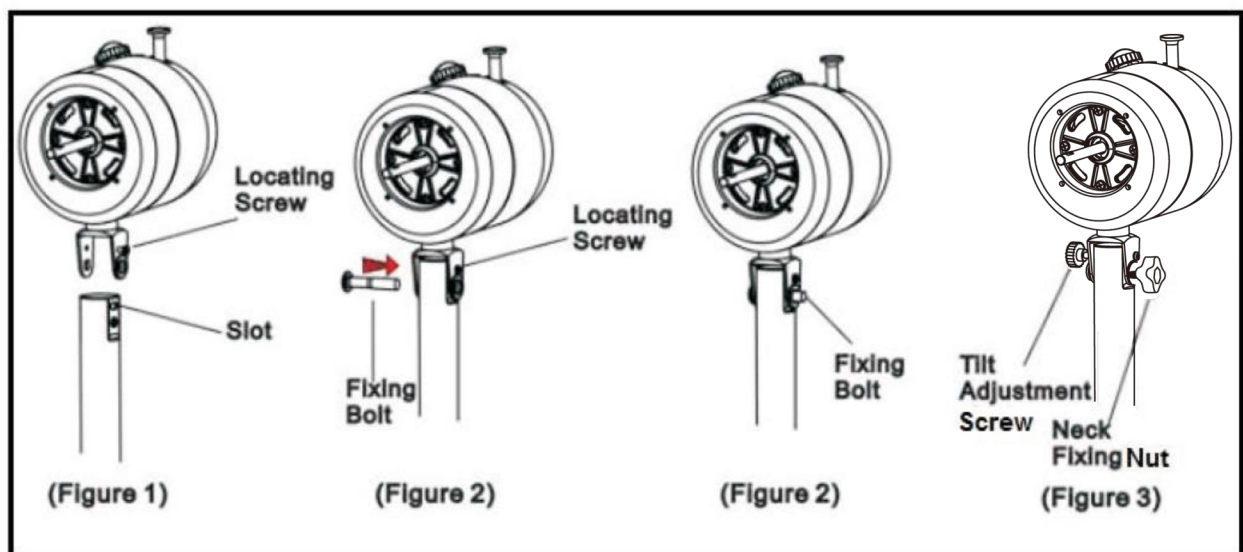
ASSEMBLY INSTRUCTIONS

Your pedestal fan has been boxed unassembled to minimise packaging waste. Each part is designed to fit together and be disassembled easily for cleaning and storage.

- Remove all packaging materials from the Pedestal Fan
- Remove the cable tie and unravel the power cord.

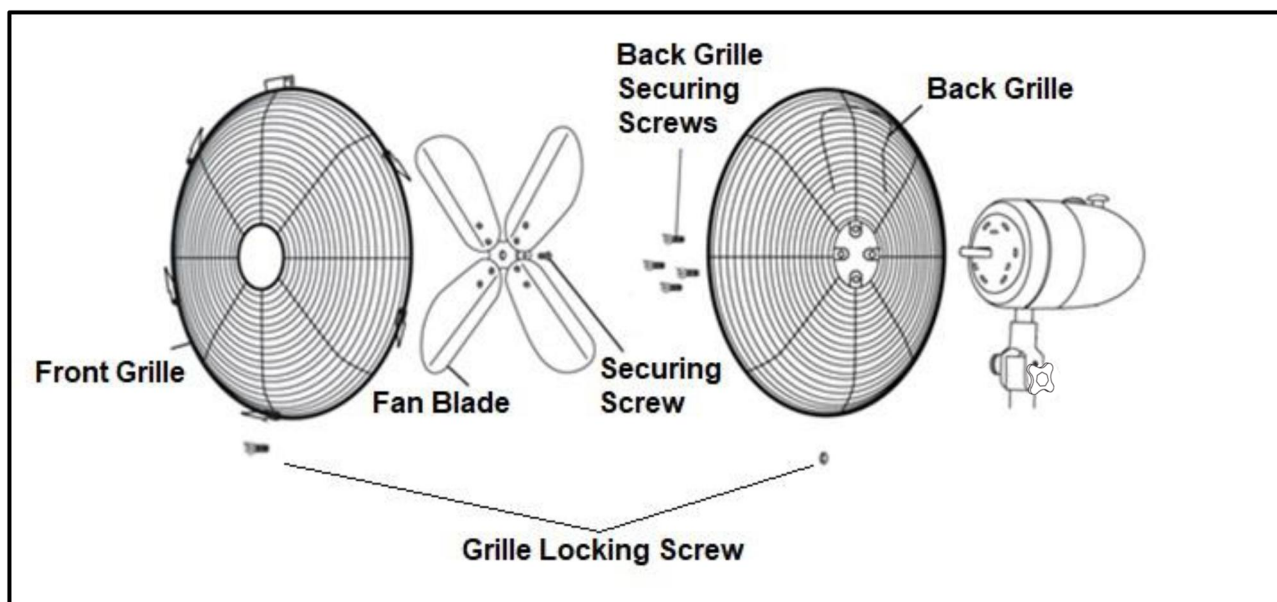
FAN HEAD ASSEMBLY

1. Remove the Neck Fixing Bolt and Nut from the top of the Inner Pole.
2. Remove the Tilt Adjustment Screw from the neck of the Motor Unit; place the neck over the Inner Pole with locating screw aligning with the slot on the side of the Inner Pole (Figure 1).
3. Run the Neck Fixing Bolt through the neck of the Motor Unit and the Inner Pole. Tighten the locating screw leaving approximately 3mm gap under the screw head (Figure 2).
4. Fix the Neck Fixing Nut to the Neck Fixing Bolt and fix the Tilt Adjustment Screw to the neck of the Motor Unit. Now you can adjust the tilt of the Motor Unit and secure it in position by tightening the Tilt Adjustment Screw (Figure 3).



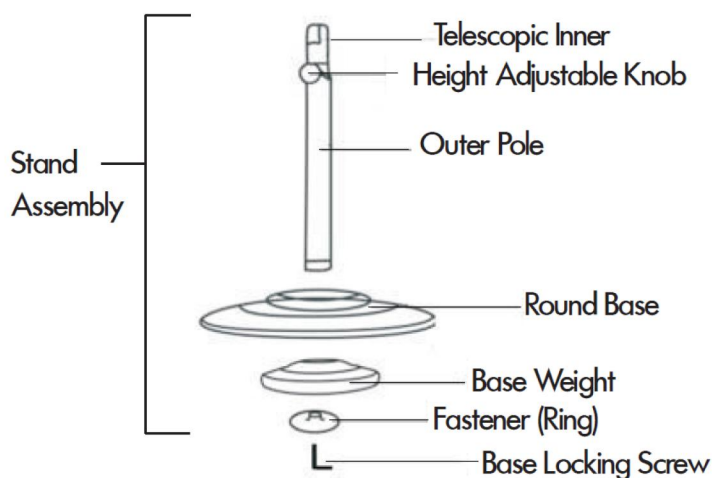
FAN GRILLE ASSEMBLY

1. Align the Back Grille on to the Motor Unit (with Carry Handle upwards) and screw in the 4 x Back Grille Screws to fix it in place.
2. Place the Fan Blade on to the Motor Shaft and secure it using the Blade Screw.
3. Hold the Front Grille against the Back Grille, making sure that the Front Name Plate is horizontal. Secure it together by snapping the Grille Clips into place.
4. To finish assembly, tighten the Grille Locking Screw at the bottom of the Back Grille.



ROUND BASE ASSEMBLY

1. Unscrew the Fastener Ring and Base Locking Nut from the Stand Assembly.
2. Insert the Stand Assembly through the hole in the centre of the Base and twist into position.
3. Turn the Round Base upside down with the Stand Assembly, facing the floor and place the Base Weight Support to the bottom of the Base. Tighten the Base Weight Support to the Stand Base by screwing the Fastener Ring and clips into place. Lastly, tighten the grille locking screw at the bottom of the Back Grille.
4. Place the Control box on the holes of the Telescopic Inner, then fix it with the Control box by the holder screw.



OPERATING INSTRUCTIONS

NOTES:

- Before inserting the plug into a power outlet, make sure that the correct voltage being used corresponds to what is indicated on the rating label, and that the socket has an earth facility.
- Remove the cable tie and unravel the cord set before operation. Connect the plug into an electrical socket and switch on at the wall.
- Gently handle the motor house, tilt up or down until the assembly locate into the desired position.

1. Place the fan on a dry, flat, level and sturdy surface.
2. Plug the power cord into the wall power socket.
3. Select your desired speed setting, switch to 1 for Low speed, 2 for Medium speed & 3 for High speed.
4. Press down on the oscillation knob (located on the motor) to activate oscillation function. Lift the oscillation knob upwards to fix the fan in one direction.

5. You can turn the height adjustment knob to adjust the height of the Pedestal Fan.
6. To turn off the Pedestal Fan, Switch to the 0 button on speed setting.

CARE & CLEANING

NOTE: If the power cord set of this appliance becomes damaged, discontinue use. Repairs should be undertaken only by a qualified technician.

CAUTION: To avoid of electric shock, you must always switch off and unplug the fan before cleaning.

- Your appliance must be switched OFF via the main power supply and unplugged before proceeding with any cleaning.
- Switch the speed setting to the 0 position and unplug the fan from the power outlet.
- Use only a soft, damp cloth to gently wipe the fan and dry well.
- To clean the blade and grille assembly, first remove the safety grille, unscrew the locknut and remove the blade from the fan. Wipe them clean with a slightly damp sponge.
- Never use flammable or abrasive cleaning agents such as benzene or spirits to clean appliance.
- Never spray the fan with liquids or submerge it in water or any other liquid.
- Never immerse the appliance in water.
- Do not use this appliance with a programmer, timer, separate remote control system or any other device that switches the appliance on automatically.
- When you have finished using the fan at the end of the season, wipe off any dust to maintain it in good working order for the next season. Disassemble the front grille and remove the fan blade. Clean and store the fan in its original box in a safe, dry location, protected from dust.
- The appliance requires little maintenance and contains no user-serviceable parts inside. Do not attempt to take it apart, repair or modify it. Do not operate the fan if its power cord or plug is damaged, or when it is working abnormally. In case of damage malfunction, or if the cord is damaged, have the unit repaired by trained personnel only, or contact the after sales support line for advice on repair or replacement.

SPECIFICATIONS

Model	Description	Voltage	Frequency	Wattage
MPF45C	45cm Metal Pedestal Fan - Chrome	220-240V~	50Hz	60W

CUSTOMER SERVICE

Australian Customer Service

GAF Control (Sales) Pty Ltd

P.O Box 19

Altona North Victoria 3025

Phone: 1300 659 489

Hours: 9am-5pm (EST) Mon-Fri

www.gafcontrol.com.au

*This product may vary slightly to the product illustrated due to ongoing product development.