



PANEL CONVECTION HEATERS

USER MANUAL

Models' No.: PCH2000T & PCH2400



PCH2000T

Panel Convection Heater 2000W



PCH2400

Panel Convection Heater 2400W

**BEFORE OPERATING THIS PRODUCT, READ, UNDERSTAND, AND
FOLLOW THESE INSTRUCTIONS.**

IMPORTANT

Read and follow the instructions in this user manual even if you feel you are familiar with the product, and find a place to keep it handy for future reference.

For your convenience record the complete model number (located on the product identification plate) and the date you received the product, together with your purchase receipt and attach to the warranty and service information. Retain in the event that warranty service is required.

NOTE: The rating of this product (as marked on the product identification plate) is based on specific loading tests. Normal use or the use of other recommended attachments may draw significantly less power.

IMPORTANT SAFEGUARDS

When using any electrically powered product, basic safety precautions should always be followed, including the following:

PLEASE READ ALL INSTRUCTIONS CAREFULLY BEFORE USING THIS PRODUCT

WARNING! - to reduce the risk of fire, electrical shock or injury to persons or property:

- Carefully read all instructions before operating your new product for the first time and save for future reference.
- Remove and safely discard any packaging material and promotional labels before using the appliance for the first time.
- To eliminate a choking hazard for young children, remove and safely discard the protective cover fitted to the plug of this appliance.
- Always operate the product from a power source of the same voltage, frequency and rating as indicated on the product identification plate.
- This appliance is not intended for use by persons (including children) with reduced physical, sensory or mental capabilities, or lack of experience and knowledge, unless they have been given supervision or instruction concerning use of the appliance by a person responsible for their safety.
- Keep out of reach if children and do not allow them to operate this appliance.
- Close supervision is necessary when the product is used near children or invalids. Children should be supervised to ensure that they do not play with the appliance.
- This product must not be located immediately below a socket outlet, and should not be used in the immediate vicinity of water, such as bathtubs, washbowls, swimming pools etc. where the likelihood of immersion or splashing could occur.
- **WARNING: In order to avoid overheating, do not cover the heater, or operate in close proximity to curtains, etc. Check air inlets and outlets from time to time for accumulated dust. Do not use the heater near curtains and flammable materials.**
- Do not switch the appliance on until it properly installed as described in this manual.
- Do not leave the heater running unattended.
- Do not use the appliance outdoors.
- Do not use if you have wet or damp hands.
- Never use the appliance on or near hot surfaces.
- Do not operate the product if it is dropped, damaged or showing signs of product malfunction.

- Do not operate the product with a damaged plug or cord. Return the complete product to the place of purchase for inspection, refund or replacement.
- If the supply cord is damaged, the cord must be replaced by the manufacturer, its service agent or similarly qualified persons in order to avoid hazard.
- Do not immerse or expose the product or flexible cord to rain, moisture or any other liquid.
- Switch off and unplug from outlet when the product is not in use and before cleaning the unit.
- To avoid personal injuries or property damage, do not insert any body parts (e.g. finger) or objects through the air inlet or outlet openings when the heater is operating.
- This product is intended for normal domestic/household use only and should not be used for industrial purposes.
- From time to time, please check the cord for damage. Never use the appliance if the cord or any part of the appliance shows signs of damage.
- Repairs to electrical appliances should only be performed by a qualified electrician. Improper repairs may place the user at serious risk.
- Do not run the main cable under carpets, rugs, etc.
- Do not allow the mains cable to hang over sharp edges or come into contact with hot surfaces.
- Never immerse the product in water or any other liquids.
- Before cleaning the appliance, ensure it is unplugged from the power and that it is completely cooled.
- Do not clean the appliance with abrasive chemicals.
- Always disconnect the heater when moving it from one location to another.
- The use of attachments or accessories not recommended or sold by the product distributor may cause personal or property hazards or injuries.
- Do not use the heater in reach of a shower, bath or a swimming pool.
- Heater is not located immediately below a socket-outlet.
- The surfaces of the heater are very hot during operation. Avoid contact with the wind outlet. Use handles and knobs if necessary.
- Do not twist or wrap the power cord around the appliance as this may cause the insulation to weaken and split, particularly where it enters the unit. Fully unwind the cord before use as a coiled cord may overheat.
- Use of an extension cord is not recommended. However, if it is absolutely necessary ensure the cord is short as possible (long cords coiled up can overheat and cause tripping accidents).
- Do not use the appliance on the same socket or electric circuit with other electrical appliances so as to prevent the circuit from being overloaded, which will cause fire. Please do not prolong the power cords by yourself or use movable socket.
- Ensure the cord is fully extended before use and accommodate it so that it is not in touch with any part of the heater.
- Do not use the heater in areas such as garages where petrol or other flammable substances are used or stored. Do not use the heater when flammable sprays, liquids, solvents and glues or flammable fumes may be present.
- Keep combustible materials such as furniture, pillows, bedding, clothes and curtains at least 1m away from the appliance.

- Avoid touching the heater body whilst the heater is on. Do not move the appliance while it is functioning in order to avoid overheating with the additional risk of fire.
- Switch off and unplug from outlet when not in use, before assembling or disassembling parts and before cleaning. Remove by grasping the plug - do not pull on the cord.
- Do not use the appliance for other than its intended use.
- Do not leave the appliance unattended when switched on.
- Always use the heater on a leveled surface.
- Do not use the heater to dry your laundry. Never obstruct the intake and outlet grilles (danger of overheating).
- Children shall not play with the appliance. Cleaning and user maintenance shall not be made by children.
- Always use a fireguard when children and infirm persons can come into contact with the heater.
- Never sit or stand on the heater.
- When the heater is not in use, store in a cool dry location.
- Do not store until the heater cools down (allow the unit to cool down for at least 15-30 minutes).
- Do not use this heater in the immediate below or in front of a power outlet.
- In order to avoid overheating, do not cover the heater.

CAUTION:

- Some parts of this product can become very hot and cause burns. Particular attention has to be given where children and vulnerable people are present.
- This heater is to be operated only in an upright position. The heater incorporates a pendulum type tilt switch inbuilt in the heater body. If the heater is tilted or knocked over, the power will cut off automatically. To start, put back the heater to the upright position and the heater will start working.

READ AND SAVE THESE INSTRUCTIONS FOR FUTURE REFERENCE

BEFORE FIRST USE

- Remove all packaging and check the appliance for any damages during transportation. If the unit appears to be any damages, please take back the damaged heater to the place of purchase for a replacement.
- Ensure a power socket is available to power the heater and that the heater is not directly located under the power socket.
- Ensure the heater is placed on a level surface with enough clearance from its surroundings.

- Do not place the heater on **LONG PILE CARPET OR FLOKATI RUGS**. Use a heat board if necessary.

FEATURES



PARTS	FEATURES
A	Power Switch
B	Mounting Bracket
C	Adjustable Thermostat
D	Power Indicator
E	Lockable Castors

INSTALLATION

This heater is intended for freestanding or wall mounting. It is not to be mounted on ceiling or floors. Choose a location where there is at least 1m clearance of either side from drapery or any other furnishing.

INSTALLATION CAUTIONS:

- Any electrical wiring required for installation, must be carried out by a qualified licensed electrician.
- The heater must be mounted horizontally only.
- Do not mount directly below or in front of a socket outlet

Freestanding Installation

The heater must always be used in the upright position. When using as a freestanding, do not operate without the feet in place.

1. Ensure the heater is unplugged and power is switch off.
2. Set the heater upside down.
3. Locate the two mounting holdes at each end of the heater base.
4. Align the mounting holes on the feet to the heater base and slide the feet-in so that the moulded tabs on the feet are locked in with the heater body.
5. Secure each feet with two machine screws, supplied with the unit. The heater is now ready to use.

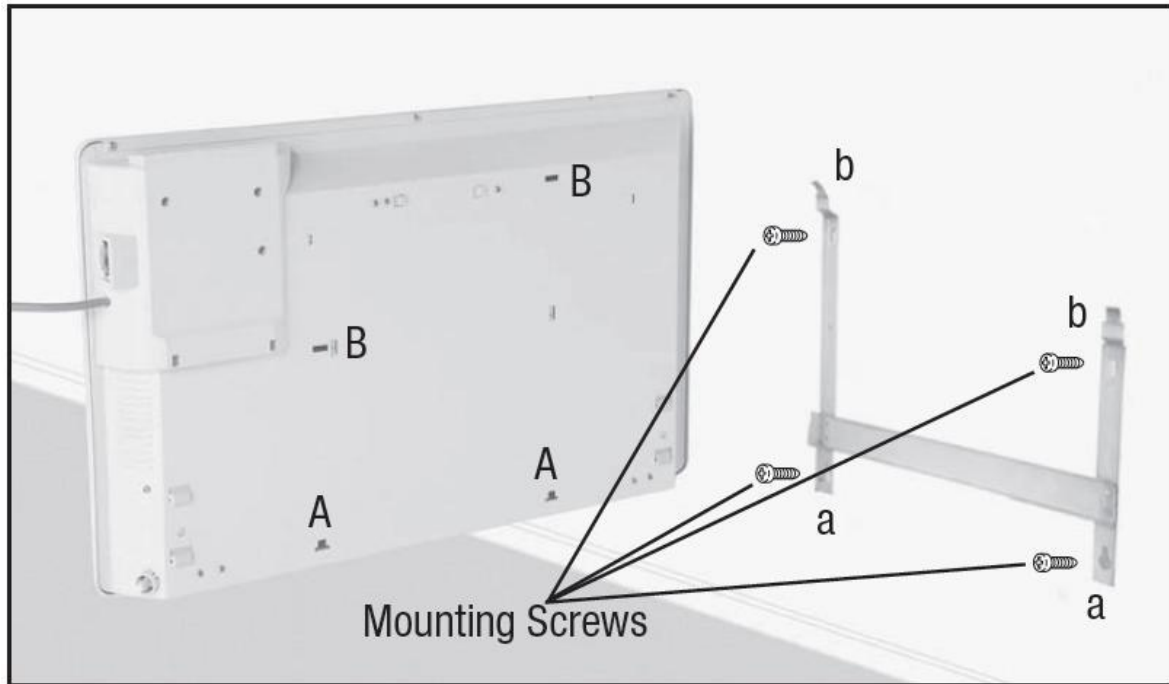
Wall Mounting Installation

1. Ensure the heater is unplugged and power is switch off.
2. Detach the wall bracket from the back of the panel heater, by unscrewing the locking bracket attached to the top right hand of the wall mounting bracket. Slide the wall bracket down and push it out from the heater body.
3. Postion the wall bracket on the wall and mark the hole positions with a pencil. Check the asseby will be horizontal with a spirit level.Ensure that the two bottom holes are at least 300mm from the floor and drill holes are required.
4. Secure the wall bracket wall mounting screws supplied with the unit. For mansory walls, use the plastic walls plug provided.
5. Slot back the heater, align the bottom mounting hook first and then the top hooks. Once all the four hooks are alligned, push the heater body down to lock-in the wall bracket to the heater body. Put the locking bracket back.



CAUTION: NEVER USE THE HEATER WITHOUT THE LOCKING BRACKET ASSEMBLED. WITH THE LOCKING BRACKET NOT IN PLACE, THE ASSEMBLY WILL NOT BE SECURED.

When mounting the heater over the wall bracket, locate and allign slot 'A' with point 'a' first slot, 'B' with point 'b' and ppush the heater body down.



6. The heater is now ready for use.

OPERATING INSTRUCTIONS

NOTE: It is normal when the heaters are turned on for the first time or when they are turned on after having not been used for a long period of time, the heaters may emit some smell and fumes. This will disappear when the heater has been on a short while.

1. Before inserting the plug into an electrical outlet, make sure that the electrical supply in your area matches that on the rating label on the unit. Plug the heater into a wall socket once this matches.
2. Place the heater on a flat, smooth and firm surface. If on carpet, ensure that the carpet does not obstruct the air vents on the underside of the body.
3. Set the power switch to 'ON' position, the power 'ON' LED light on the control panel will glow. This indicates power is supplied to the unit and heater element is turned on.
4. The thermostat knob is to regulate the heat in order to maintain a desired room temperature. Turn the knob to MAX setting. Once a comfortable room temperature is reached, slowly turn the thermostat control anti-clockwise until the heater shuts OFF. The heater will automatically maintain this temperature. For lower temperature, rotate the knob further anti-clockwise.
5. To turn 'OFF' the heater, set the power switch to 'OFF' position. Unplug the power cord and allow the heater to cool.

WARNING: The surface around the heating element gets hot during operation. **DO NOT TOUCH** the surface while accessing the control panel.

CLEANING

The heater requires regular cleaning to ensure trouble free operation:

- Unplug the heater from the mains supply before cleaning.

- Ensure that the heater has been allowed to cool before cleaning.
- Use a damp cloth (not wet) to wipe the exterior of the heater to remove dust and dirt.
- Do not allow any water or other liquid to enter the housing or control panel.
- Ensure the heater is dry before plugging back into the mains supply.

CAUTION: Do not use harsh detergents, chemical cleaners or solvents as they may damage the surface finish of the heater.



Warning: In order to avoid overheating, do not cover the heater.

WARNING - Fabric, clothing or other flammable materials may ignite if placed against or in close proximity to the heater. No flammable materials should be placed within 120cm of the front or heat outlet and 50cm of sides or rear of the heater. Do not cover the heater. This appliance is for indoor use only. Do not use outdoors.

STORING THE HEATER

When the heater is not used for long periods of time, it should be protected from dust and stored in a clean dry place.

SPECIFICATIONS

Model	Description	Voltage	Frequency	Wattage
PCH2000T	PANEL CONVECTION HEATER 2000W	240V~	50Hz	2000W
PCH2400	PANEL CONVECTION HEATER 2400W	240V~	50Hz	2400W

CUSTOMER SERVICE

Australian Customer Service

GAF Control (Sales) Pty Ltd

P.O Box 19

Altona North, Victoria, 3025

Phone: 1300 659 489

Hours: 9am-5pm (EST) Mon-Fri

www.gafcontrol.com.au

*This product may vary slightly to the product illustrated due to ongoing product development.