

HELLER

Instruction Manual

45cm Pedestal Fan

Model: PED45CG



READ AND SAVE THESE INSTRUCTIONS

Please read and follow the instructions in this user manual even if you feel you are familiar with the product, and find a place to keep it handy for future reference.

For your convenience record the complete model number (located on the product identification plate) and the date you received the product, together with your purchase receipt and attach to the warranty and service information. Retain in the event that warranty service is required.

NOTE: The rating of this product (as marked on the product identification plate) is based on specific loading tests. Normal use or the use of other recommended attachments may draw significantly less power.

IMPORTANT SAFEGUARDS

When using any electrically powered product, basic safety precautions should always be followed, including the following:

PLEASE READ ALL INSTRUCTIONS CAREFULLY BEFORE USING THIS PRODUCT

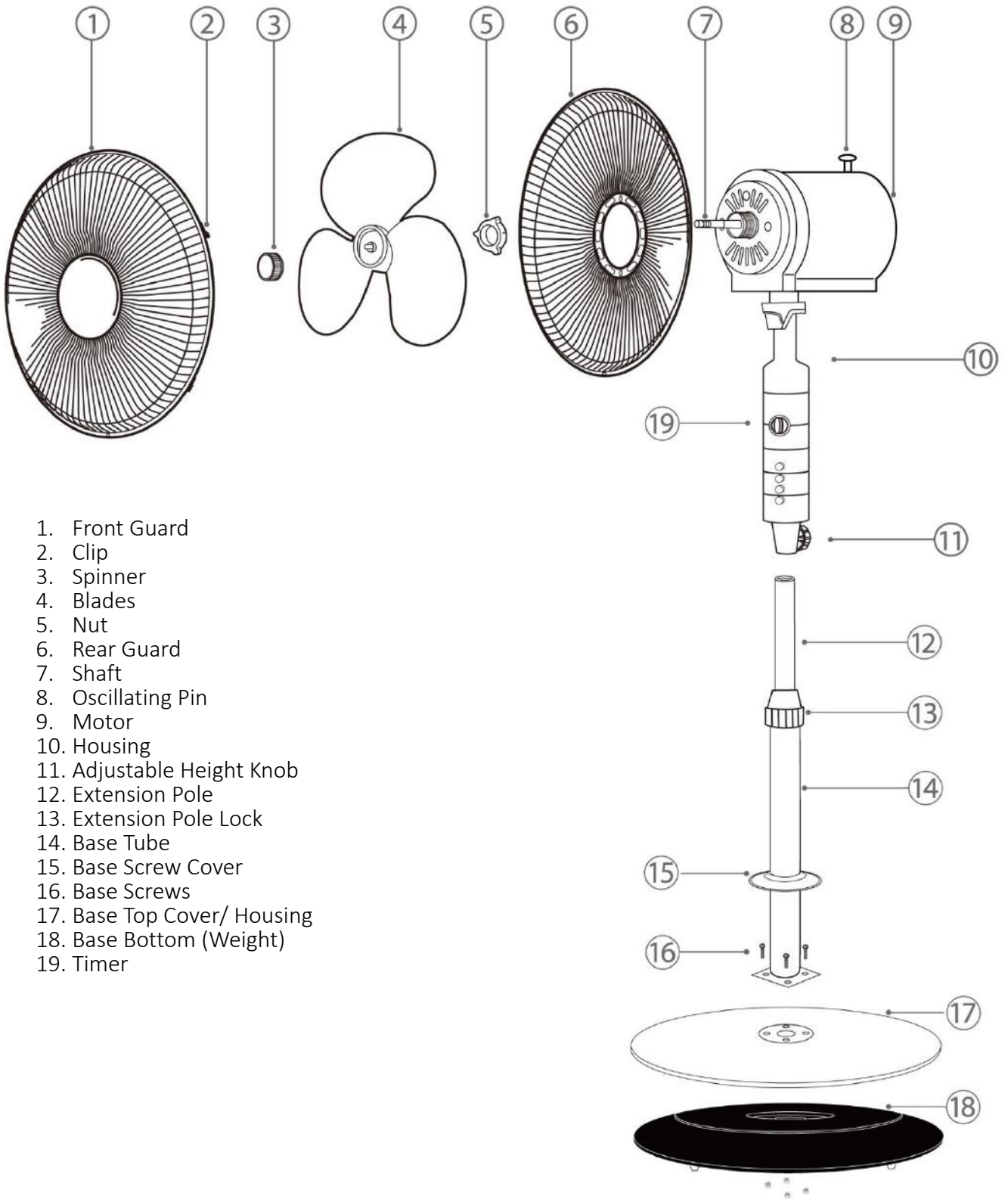
WARNING! - to reduce the risk of fire, electrical shock or injury to persons or property:

- Always operate the product from a power source of the same voltage, frequency and rating as indicated on the product identification plate.
- Remove the unit from its packaging and check to make sure it is in good condition before using.
- Do not let children play with parts of the packaging (such as plastic bags).
- Close supervision is necessary when the product is used by or near children or infirm persons. Do not allow children to use it as a toy.
- Do not operate any product with a damaged cord or plug, or after the product malfunctions, or is dropped or appears damaged in any way. Return the complete product to the place of purchase for inspection, repair or replacement.
- Before unplugging the power cord, be sure to turn the power off. When touching the unit, be sure your hands are dry to prevent electrical shock.
- Never install the unit where it is exposed to direct sunlight, excessive moisture/rain, dust and lack of ventilation near any heat sources.
- Avoid making contact with moving parts. Never insert fingers, pencils or any other objects through the guards whenever the power plug is connected, especially while the unit is working.
- Always place the fan on a stable, level surface when operating to prevent the fan from overturning. Do not run the power cord under carpet. Do not cover the power cord with throw rugs or runners. Route the power cord away from walking paths so that nobody can trip over it. The cable should be kept away from heat, sharp edges and oil.
- To reduce the risk of electric shock, do not immerse or expose the product or flexible cord to rain, moisture or any liquid other than those necessary for correct operation of the product.
- This product should not be used in the immediate vicinity of water, such as bathtub, washbowls, bathroom swimming pool etc. Where the likelihood of immersion or splashing could occur.
- Switch off and unplug from outlet when not in use, before assembling or disassembling parts and before cleaning. Remove by grasping the plug - do not pull on the cord.
- Be sure that no other high current appliances are plugged into the same circuit as your fan, as an overload can occur.
- Avoid the use of an extension cord as the extension cord may overheat and cause a risk of fire.
- Do not use the appliance for other than its intended use.
- Do not use outdoors. **FOR INDOOR USE ONLY.**
- Do not leave the appliance unattended when switched on.

- Do not cover the grill, or operate in close proximity to curtains etc.
- The use of attachments or accessories not recommended or sold by the product distributor may cause personal or property hazards or injuries.
- This product is intended for normal domestic/household use only.
- Never leave a working appliance unattended, even for a short period of time – always switch it off. Please unplug the appliance from the power supply when not in use.
- Use this fan as described in this manual. Any other uses, not recommended by the manufacturer, may cause fire, electric shock, or injury to persons and may void the warranty.
- This appliance is not intended for use by persons (including children) with reduced physical, sensory or mental capabilities, or lack of experience and knowledge, unless they have been given supervision or instruction concerning the use of the appliance by a person responsible for their safety.
- The installation of a residual current device (safety switch) is recommended to provide additional safety protection when using electrical appliances. It is advisable that a safety switch with a rated residual operating current not exceeding 30mA be installed in the electrical circuit supplying the appliance. See your electrician for professional advice.
- **WARNING:** If the supply power cord is damaged, the power cord must be replaced by the manufacturer, its service agent or similarly qualified persons in order to avoid a hazard.
- This product has not been designed for any uses other than those specified in this booklet.
- **CAUTION:** Never insert your fingers or any other objects (hair, clothes, utensils, knives, screw drivers etc.) into the openings of the guard or close to the blade when the appliance is connected to the power supply.
- **CAUTION:** DO NOT COVER the appliance in any way in order to avoid overheating and fire.
- **CAUTION - RISK OF ELECTRIC SHOCK:** To reduce the risk of electric shock do not open this device, there are not serviceable parts for customers. Please refer any maintenance or repair to qualified personnel.

SAVE THESE INSTRUCTIONS

PARTS & FEATURES



BEFORE FIRST USE

Before use, remove all packaging and inspect the appliance for any damage. If there appears to be any damage, please take the unit back to place of purchase for a replacement.

ASSEMBLY INSTRUCTIONS

Ensure your fan is unplugged from the power supply before assembling.

1. Take all parts out of the box and remove any protective wrapping.
2. Assemble the base to the support pole using the fasteners provided (see Figure A).
3. Loosen the height adjustment ring and extend the support pole to your desired height. Put the base cover over the round base (see Figure B).
4. Tighten the height adjustment ring to prevent slipping, then put the fan assembly onto the support pole and tighten the support pole screw manually.

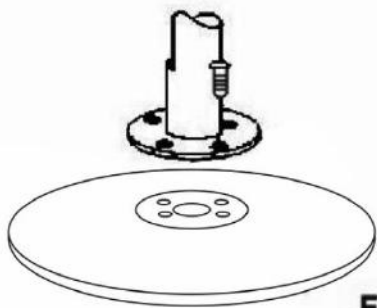


Figure A

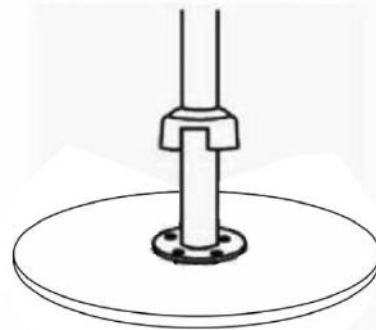


Figure B

5. Insert small end of extension pole inside bottom of base tube.
6. Place motor and switch firmly on top of extension pole and tighten with screw B.
7. Take off guard lock nut from motor shaft.
8. Place the rear guard on the front of the motor housing with the holes in the rear guard (Fig. 2). Screw on plastic nut tightly to attach rear guard.

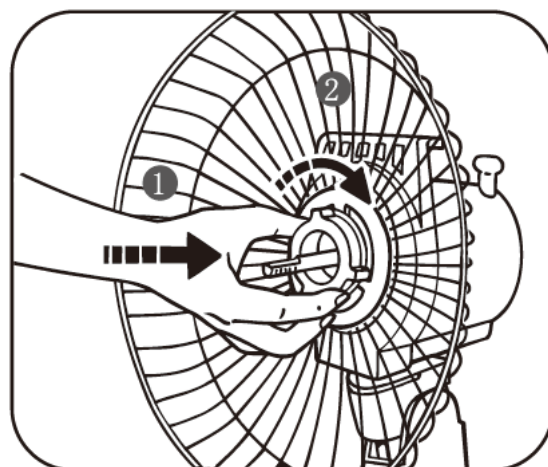
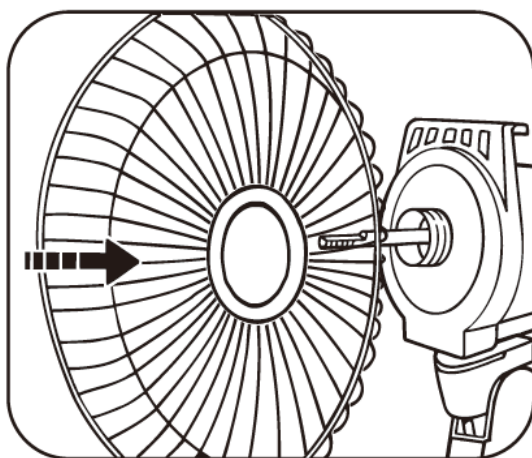


Figure 2

9. Place the fan blade on the motor shaft and secure it by tightening the spinner (Fig. 3).
10. Fit the front guard onto the rear guard and close the clips (Fig. 4).

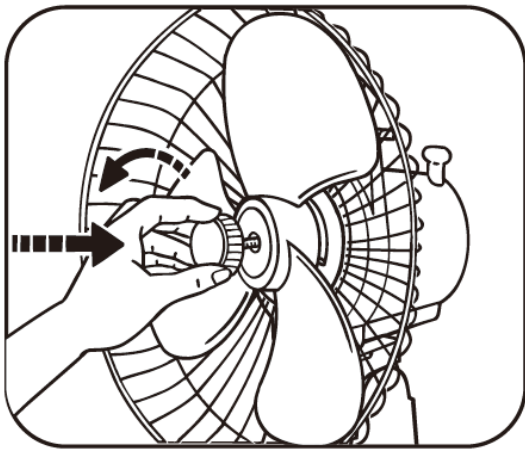


Figure 3



Figure 4

OPERATING INSTRUCTIONS

NOTE: Before inserting the plug into a power outlet, make sure that the correct voltage being used corresponds to what is indicated on the rating label, and that the socket has an earth facility.

CAUTION:

- Select a suitable location for the unit. Always choose a safe location in accordance to the safely recommendations outlined.
- The fan should always be switched off when making any adjustments to the fan head angle.
- Always keep the unit upright.

1. Make sure that the fan is on a firm, flat and level surface.
2. Plug the cord into the correct power outlet.
3. The speed of the fan can be selected by speed knobs on the control panel.

- 0 – To turn OFF the fan.
- 1 – Low speed
- 2 – Medium speed
- 3 – High speed

The oscillation mechanism can be activated by pushing the bar downward and the fan can be made to operate in a stationary position by gently pulling the knob.

CAUTION: *The fan should be switched off when making this adjustment.*

NOTE: *The head will not latch into the low or mid position until the guard and blade are fitted to the motor.*

To adjust the height of the pedestal fan, loosen the eight adjustment screw carefully raising or lowering the fan and firmly re-tighten the height adjustment nut.

CAUTION: *The fan should be switched off when making this adjustment.*

TIMER:

You can preset the Pedestal Fan for up to 120 minutes (2 hours) by turning the timer control in a clockwise direction. The unit is switched off at the end of the set time period. The unit can be switched OFF manually at any time by turning the timer dial anticlockwise and returning it to the OFF position.

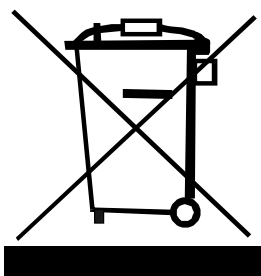
CARE & CLEANING

NOTE: If the power cord set of this appliance becomes damaged, discontinue use. Repairs should be undertaken only by a qualified technician.

CAUTION: To avoid of electric shock, you must always switch off and unplug the unit before cleaning.

- Your appliance must be switched OFF via the main power supply and unplugged before proceeding with any cleaning.
- Clean the housing with a damp cloth, a vacuum cleaner or a dusting brush.
- We recommend lightly running a vacuum cleaner brush nozzle over the fan grill to remove any dust or dirt that may have accumulated.
- Never use flammable or abrasive cleaning agents such as benzene or spirits to clean the appliance.
- Never immerse the appliance in water!
- Avoid all other types of detergents, cleaners, solvents that may contain chemicals, which could damage parts of the unit.
- If the unit will not be used for a long period of time, store in a dry place.

DISPOSAL



Environmental Protection

Waste electrical production should not be disposed of with household waste.

Please recycle where facilities exist. Check with your Local Authority or retailer for recycling advice.

SPECIFICATIONS

Model	Description	Voltage	Frequency	Wattage
PED45CG	45cm Pedestal Fan	220-240V~	50Hz	50W

CUSTOMER SERVICE

Australian Customer Service

GAF Control (Sales) Pty Ltd

P.O Box 19

Altona North Victoria 3025

Phone: 1300 659 489

Hours: 9am-5pm (EST) Mon-Fri

www.gafcontrol.com.au

*This product may vary slightly to the product illustrated due to ongoing product development.