

HELLER

Instruction Manual

75cm High Velocity Pedestal Fan

Model: PED75G



READ AND SAVE THESE INSTRUCTIONS

Please read and follow the instructions in this user manual even if you feel you are familiar with the product, and find a place to keep it handy for future reference.

For your convenience record the complete model number (located on the product identification plate) and the date you received the product, together with your purchase receipt and attach to the warranty and service information. Retain in the event that warranty service is required.

NOTE: The rating of this product (as marked on the product identification plate) is based on specific loading tests. Normal use or the use of other recommended attachments may draw significantly less power.

Important Safeguards

When using any electrically powered product, basic safety precautions should always be followed, including the following:

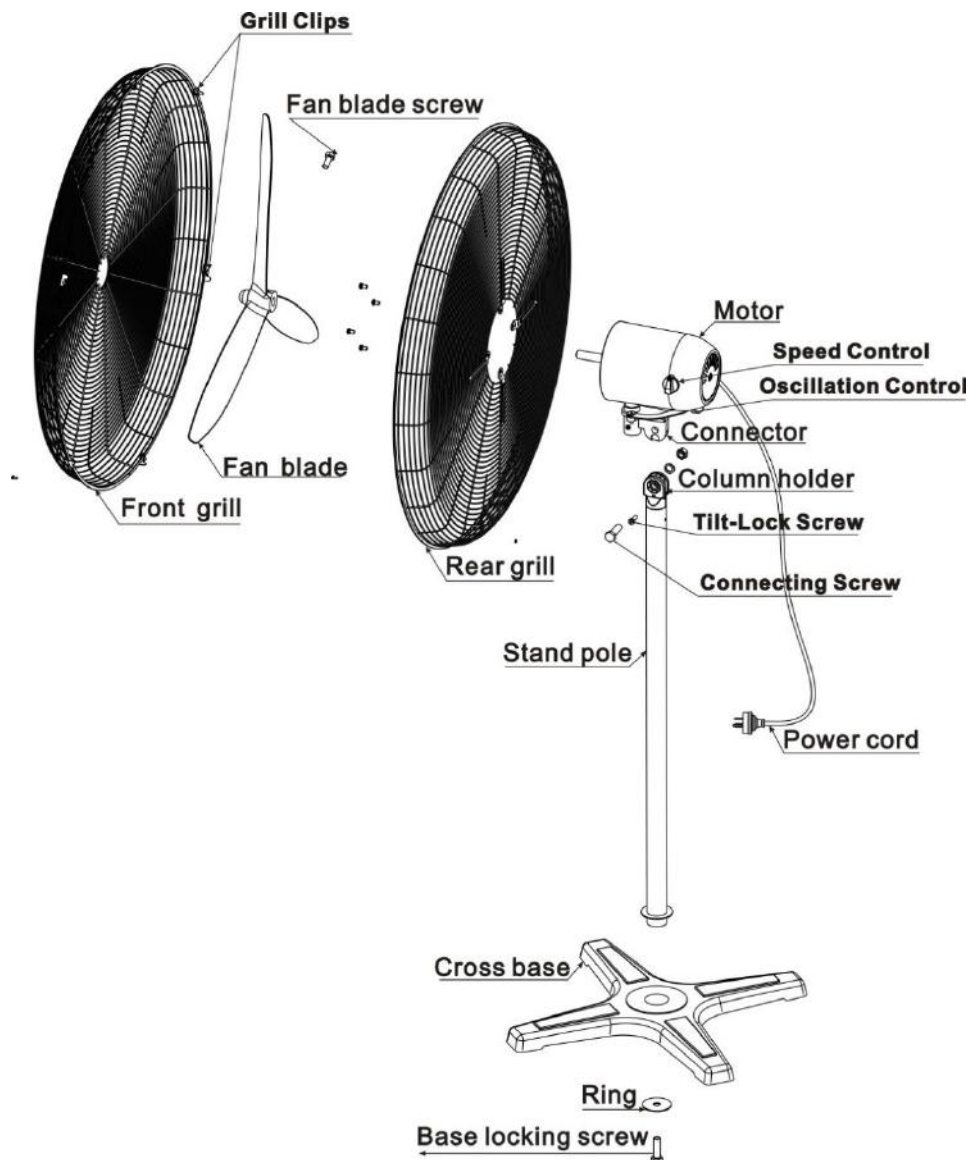
PLEASE READ ALL INSTRUCTIONS CAREFULLY BEFORE USING THIS PRODUCT

WARNING! - to reduce the risk of fire, electrical shock or injury to persons or property:

- Always operate the product from a power source of the same voltage, frequency and rating as indicated on the product identification plate.
- Fully assemble the fan before switching on.
- The fan must not be used if the guards are not fastened according to instructions.
- Remove the unit from its packaging and check to make sure it is in good condition before using.
- Do not let children play with parts of the packaging (such as plastic bags).
- Close supervision is necessary when the product is used by or near children or infirm persons. Do not allow children to use it as a toy.
- Do not operate any product with a damaged cord or plug, or after the product malfunctions, or is dropped or appears damaged in any way. Return the complete product to the place of purchase for inspection, repair or replacement.
- Before unplugging the power cord, be sure to turn the power off. When touching the unit, be sure your hands are dry to prevent electrical shock.
- Adjustable pole must not be extended past 1.1m high.
- Avoid making contact with moving parts. Never insert fingers, pencils or any other objects through the guards whenever the power plug is connected, especially while the unit is working.
- Always place the fan on a stable, level surface when operating to prevent the fan from overturning. Do not run the power cord under carpet. Do not cover the power cord with throw rugs or runners. Route the power cord away from walking paths so that nobody can trip over it. The cable should be kept away from heat, sharp edges and oil.
- Your pedestal fan should be placed away from heat sources such as; radiators, gas/electric heaters and direct sunlight.
- Ensure that the fan is switched off from the supply mains before removing the guard.
- To reduce the risk of electric shock, do not immerse or expose the product or flexible cord to rain, moisture or any liquid other than those necessary for correct operation of the product.
- This product should not be used in the immediate vicinity of water, such as bathtub, washbowls, bathroom swimming pool etc. Where the likelihood of immersion or splashing could occur.
- Switch off and unplug from outlet when not in use, before assembling or disassembling parts and before cleaning. Remove by grasping the plug - do not pull on the cord.
- Be sure that no other high current appliances are plugged into the same circuit as your fan, as an overload can occur.
- Do not remove any fixed covers.
- Avoid the use of an extension cord as the extension cord may overheat and cause a risk of fire.

- Do not use the appliance for other than its intended use.
- Do not use outdoors. **FOR INDOOR USE ONLY.**
- Do not leave the appliance unattended when switched on.
- Do not cover the grill, or operate in close proximity to curtains etc.
- The use of attachments or accessories not recommended or sold by the product distributor may cause personal or property hazards or injuries.
- Ensure that the fan is switched off from the supply mains before removing the guard.
- Use this fan as described in this manual. Any other uses, not recommended by the manufacturer, may cause fire, electric shock, or injury to persons and may void the warranty.
- This appliance is not intended for use by persons (including children) with reduced physical, sensory or mental capabilities, or lack of experience and knowledge, unless they have been given supervision or instruction concerning the use of the appliance by a person responsible for their safety.
- The installation of a residual current device (safety switch) is recommended to provide additional safety protection when using electrical appliances. It is advisable that a safety switch with a rated residual operating current not exceeding 30mA be installed in the electrical circuit supplying the appliance. See your electrician for professional advice.

Parts Location



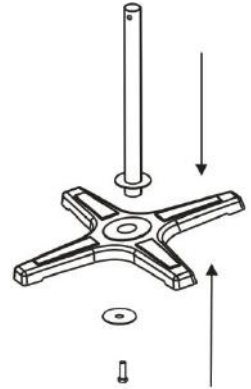
Before First Use

Before use, remove all packaging and inspect the appliance for any damage. If there appears to be any damage, please take the unit back to place of purchase for a replacement.

Assembly Instructions

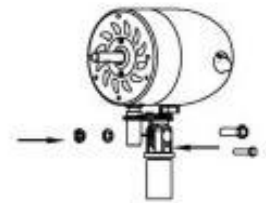
Base Assembly:

1. Loosen the ring and base locking screw from the adjustable pipe.
2. Put the Stand pole into the centre hole of the base.
3. Tighten the ring and base locking screw onto the Stand pole and fix it into place.



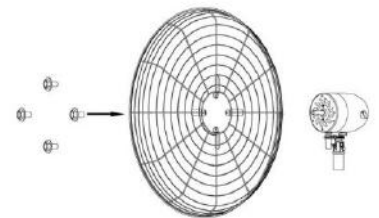
Motor Assembly:

1. Unscrew the connecting stopper screw of the adjustable pipe.
2. Fix and lock the motor and adjustable pipe by connecting the stopper screws.



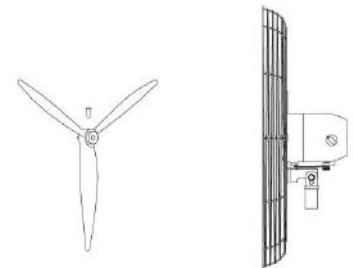
Rear Grill Assembly:

1. Loosen the four screws fixed on the front of the motor housing.
2. Align the four holes of the rear grill to the four holes on the motor housing.
3. Fix and lock the screws.



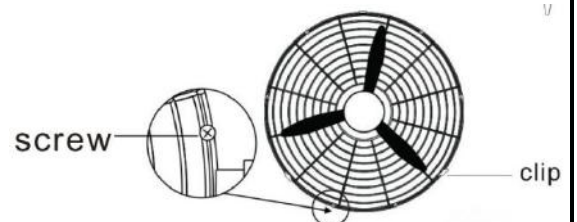
Fan Blade Assembly:

1. Place the fan blade into the bottom of the motor axis.
2. Use the screw provided to fix and lock the blade.



Front Grill Assembly:

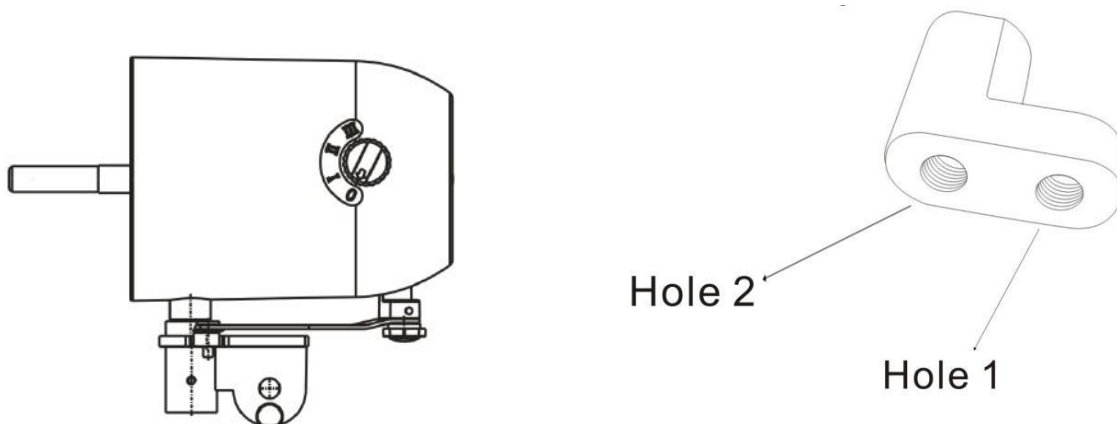
1. Connect the front grill with the rear grill. The screw hole must be aligned with the front and rear grill.
2. Fasten the clips.



Operating Instructions

Before inserting the plug into a power outlet, make sure that the correct voltage being used corresponds to what is indicated on the rating label, and that the socket has an earth facility.

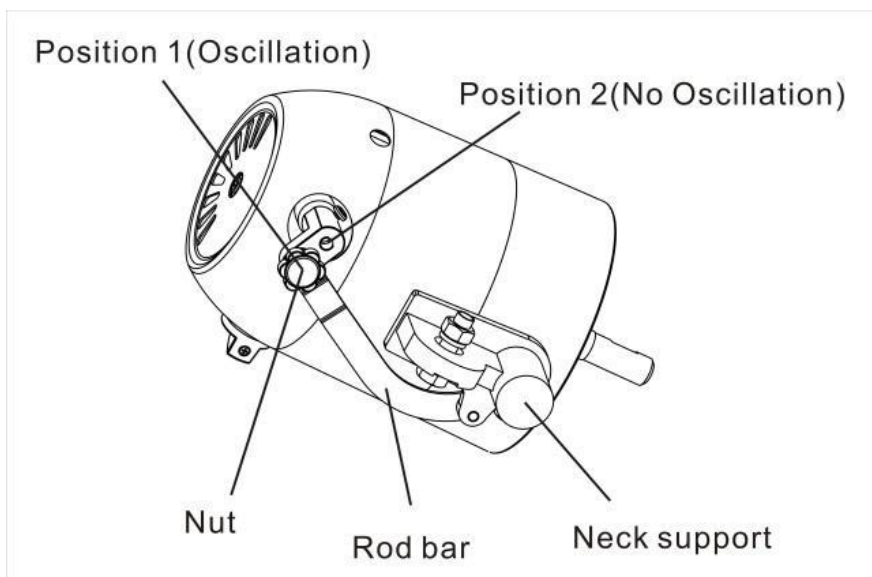
1. Once the wall fan is assembled and installed, plug the cord into an acceptable power source.
2. The fan has three speeds: I – Low, II – Medium, III- High and 0 – Off.
3. To turn the wall fan 'On', turn the knob to the desired setting. To turn the wall fan 'Off' turn the knob to '0'.



Oscillating Function:

WARNING: Before using the oscillating function, always turn the fan 'Off' and wait until the fan blades come to a complete stop.

The diagram on the left hand side, show the underneath of the fan's Motor unit. In the position shown; i.e. Position 1 (Oscillation), the fan head will swing side to side during operation. To fix the fan head to blow air in a fixed direction, first turn off and unplug the fan, then unscrew the 'Nut' and screw it into the other hole – Position 2 (No Oscillation).

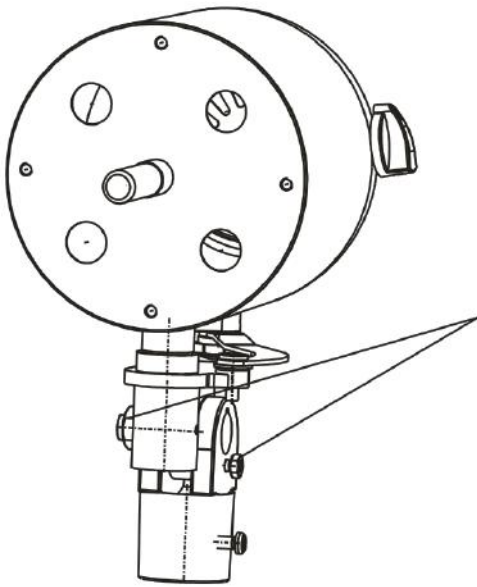


Tilt Function:

WARNING: Before using the tilt function, always turn the fan 'Off' and wait until the fan blades come to a complete stop.

You can tilt your fan head 'Up' or 'Down' by following the below steps.

1. Use one hand to hold the fan head, and use your other hand to loosen the rotating joint bolt (refer to below diagram).
2. Tilt the fan head to the desired angle, and tighten the rotating joint bolt.



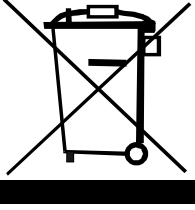
Loosen the rotating joint bolt to tilt the fan head 'Up' or 'Down'.

Care & Cleaning

To make cleaning easier, you can dismantle some parts of your fan.

1. Switch the fan 'Off' and unplug the power supply before cleaning.
2. Use only a soft damp cloth to clean the fan.
3. Do not immerse the fan in water or any other liquids, and never allow water to drip into the motor housing.
4. Do not use gasoline, paint thinner or other chemicals to clean the fan.
5. To clean the fan blade, use 2 screw drivers to disengage the hooks (8 hooks) holding the front grille to the rear grille.
6. Remove the front grille.
7. Wipe the blade and grille.
8. Check that the fan blade screw is tight.
9. Reassemble the fan by snapping the front grille into place.
10. Store the fan in its original box or cover the fan to protect it from dust. Store in a cool dry place.

Disposal



Environmental Protection

Waste electrical production should not be disposed of with household waste. Please recycle where facilities exist. Check with your Local Authority or retailer for recycling advice.

Specifications

Model	Description	Voltage	Frequency	Wattage
PED75G	75cm High Velocity Pedestal Fan	220-240V~	50Hz	220W

Australian Customer Service

GAF Control (Sales) Pty Ltd
P.O Box 19
Altona North Victoria 3025
Phone: 1300 659 489
Hours: 9am-5pm (EST) Mon-Fri
www.gafcontrol.com.au

*This product may vary slightly to the product illustrated due to ongoing product development.