

Tiffany

2 Slice Toaster

User Manual

Model Number: T2SL



READ AND SAVE THESE INSTRUCTIONS

IMPORTANT

Please read and follow the instructions in this user manual even if you feel you are familiar with the product, and find a place to keep it handy for future reference.

For your convenience, record the complete model number (located on the product identification plate) and the date you received the product together with your purchase receipt, and attach to the warranty and service information. Retain in the event that warranty service is required.

NOTE: The rating of this product (as marked on the product identification plate) is based on specific loading tests. Normal use or the use of other recommended attachments may draw significantly less power.

IMPORTANT SAFEGUARDS

When using any electrically powered product, basic safety precautions should always be followed, including the following:

PLEASE READ ALL INSTRUCTIONS CAREFULLY BEFORE USING THE PRODUCT.

WARNING - to reduce the risk of fire, electrical shock or injury to persons or property:

- Always operate the product from a power source of the same voltage, frequency and rating as indicated on the product identification plate.
- Close supervision is necessary when the product is used by or near children or invalids. Do not allow children to use it as a toy.
- Do not operate any product with a damaged cord or plug, or after the product malfunctions, or is dropped or appears damaged in any way. Return the complete product to the place of purchase for inspection, repair or replacement.
- This product should not be used in the immediate vicinity of water, such as bathtub, washbowls, basins or other vessels containing liquids where the likelihood of immersion or splashing could occur.
- Never place or operate the unit where any part of it could come into contact with any hot surface (such as a gas or electric hot plate or heated oven).
- Do not allow the cord to hang over the edge of a table or bench or touch hot surfaces. Allow unit to cool before wrapping cord around base for storage.

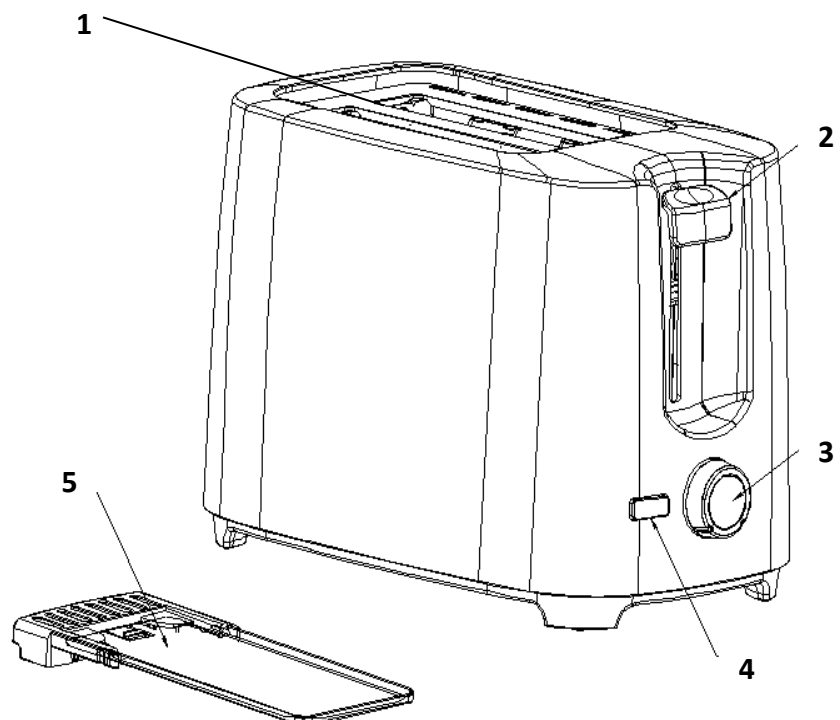
CAUTION: Bread may burn, even on the "lightest" setting. Toasters should **NOT** be used near or below curtains or other combustible materials and should **always be attended** when in use.

- Under no circumstances should knives, forks or other objects be used to dislodge food from the toaster when it is plugged in.
- Metal foil packages, utensils, wrapped or oversize food must not be inserted in the toaster as they may involve a risk of fire or electric shock.
- Do not cover the bread slots during toasting.
- Failure to regularly clean the crumb tray compartment may result in a fire hazard. Never operate without the crumb tray in position.
- Do not clean with metal scouring pads. Pieces can break off the pad and touch live electrical parts, resulting in the risk of electric shock.
- Do not place "battered" or other such treated items in the toaster since it may create a fire or electrical hazard.
- Ensure that the power cord is kept away from the top and sides of the toaster when in use.
- Switch off and unplug from outlet when not in use, before assembling or disassembling parts and before cleaning. Remove by grasping the plug - do not pull on the cord.
- Do not use the appliance for other than its intended use.
- Do not leave the appliance unattended when switched on.
- Care must be taken not to touch any hot surfaces. Allow unit to cool before wrapping cord around base for storage.
- Do not place this appliance on or near a hot gas or electric burner, in or where it could touch a heated oven or a microwave oven.

- Do not use this appliance outdoors.
- Do not place objects on the product or allow objects to obstruct the inlet or outlet openings, or operate in close proximity to walls or curtains, etc.
- The use of attachments or accessories not recommended or sold by the product distributor may cause personal or property hazards or injuries.
- This product is intended for normal domestic/household use only.
- This appliance is not intended for use by persons (including children) with reduced physical, sensory or mental capabilities, or lack of experience and knowledge, unless they have been given supervision or instruction concerning use of the appliance by a person responsible for their safety.
- Children should be supervised to ensure that they do not play with the appliance.
- The appliance is not intended to be operated by means of an external timer or separate remote-control system.
- If the supply cord is damaged, it must be replaced by the manufacturer, its service agent or similarly qualified persons in order to avoid a hazard.
- Bread may burn, therefore toasters must not be used near or below curtains and other combustible materials, they must be watched.
- The Hot surface warning symbol is marked on the appliance means that the appliance may be hot during use.
- This appliance is intended to be used in household and similar applications such as:
 - staff kitchen areas in shops, offices and other working environments;
 - farm houses;
 - by clients in hotels, motels and other residential type environments;
 - bed and breakfast type environments.

FEATURES

1. Toasting Slots
2. Carriage Lever
3. Variable Browning Control
4. Cancel Button
5. Crumb Tray



INSTRUCTIONS

1. Plug into an earthed power socket.
For the first use, it is recommended that the toaster be operated without bread to burn off the dust accumulated on the new element that will disperse giving off an unpleasant smell; when doing this it is recommended that the browning control be set to the medium setting.
2. Place bread into slots - use slices of equal size, thickness and freshness. Avoid torn and broken slices that may get lodged in the toasting walls.
3. Set browning control to suit the required degree of brownness, from No.1 to No. 7 on the browning control knob. (No.1- lightest, No.7 darkest). Different breads will require different settings. The higher the number (1-7) the longer the toasting cycle and the darker the toast colour.
4. Press the carriage handle down fully to the latched position.
NOTE: The carriage will not latch down unless the power is switched ON.
5. When the toasting cycle is complete, the carriage will rise and the toaster will switch off.

NOTE: The toasting cycle can be interrupted at any time by pressing the "CANCEL" button next to the browning control knob.

NOTE: *In the unlikely event that the bread or crumpet becomes jammed, switch the toaster off at the power outlet, remove the plug from the supply socket and carefully ease the bread out of the toaster, ensuring that you do not damage the element.*

Toasting Notes:

- Toasting is a combination of drying and cooking the bread; moisture levels differ between breads, which can result in varying toasting times. Experience will determine the correct settings for toasting the various types of bread to be toasted.
- For slightly dry bread use a lower setting than normal.
- For fresh or whole wheat bread use a higher setting than normal.
- Breads with an uneven surface (such as muffins or crumpets) will require a higher setting.
- Thick cut pieces of bread (including bagels) will require longer toasting time, sometimes significantly longer, since more moisture must be evaporated before bread toasting can occur.
- Very thick slices may require two cycles.
- When toasting raisin or other fruit breads, remove any loose fruit from the surface of the bread before placing in the toaster. This will help prevent pieces from falling into the toaster or sticking to the guard wire in the slot. Fruits stuck inside the toaster or left in the crumb tray are a common cause of toaster fires.
- Before toasting bagels, slice each bagel into two equal halves.
- Single slice toasting; if you are toasting a single slice of bread, set the browning control lighter than normal. The toaster is designed to heat the whole toasting chamber for two slices. By reducing the toasting cycle for a single slice it will not be over toasted.
- Pastries; Exercise caution when toasting pastries. The filling can become quite hot long before the surface of the pastry becomes brown.

CLEANING AND STORING

Before attempting any cleaning operation, make sure that the toaster is unplugged from the power supply and has fully cooled down.

1. Breadcrumbs will collect in the base of the toaster. It is important to avoid crumbs from building up inside the base of the toaster. Allowing crumbs to build up is unhygienic, and could cause a fire hazard, so remove

CAUTION!: NEVER OPERATE THE TOASTER WITHOUT THE CRUMB TRAY IN POSITION.

them frequently. To remove them, slide the crumb tray from the base of the toaster. Clean out the crumbs and slide the crumb tray back into the toaster.

2. To remove lodged bread, turn the toaster upside down and shake.

WARNING! NEVER INSERT ANY METAL UTENSIL OR TOOL INTO TOASTING SLOTS. IT IS DANGEROUS AND MAY DAMAGE WORKING PARTS OF THE TOASTER.

3. To clean the external surfaces, simply wipe over with a clean, soft damp cloth. Should it be necessary, greasy marks may be removed using mild soap and a cloth dampened with hot water. Avoid all other types of detergents, cleaners or solvents that might contain chemicals that could damage parts of the toaster.

NOTE: NEVER IMMERSE UNIT IN WATER OR ANY OTHER LIQUID.

FOR YOUR SAFETY

1. Always check full toaster operation as detailed above before returning any unit as faulty.
2. Do not operate the toaster with a damaged cord or plug, or after the unit malfunctions or is damaged in any way. Return the complete toaster to the place of purchase for in-warranty replacement, or inspection and repair.
3. This toaster contains no internal user serviceable parts.
4. In some products, the replacement of the power cord by the user is not intended. Special tools are required to replace the cord. Return the complete toaster to the place of purchase for in-warranty replacement, or inspection and repair.

SPECIFICATIONS

Model	Description	Voltage	Frequency	Wattage
T2SL	2 Slice Toaster	220-240V~	50-60Hz	700W

CUSTOMER SERVICE

Australian Customer Service

GAF Control (Sales) Pty Ltd

P.O Box 19

Altona North Victoria 3025

Phone: 1300 659 489

Hours: 9am-5pm (EST) Mon-Fri

www.gafcontrol.com.au

*This product may vary slightly to the product illustrated due to ongoing product development.