

Tiffany

Instruction Manual

Mini Chopper

Model: TMC120



READ AND SAVE THESE INSTRUCTIONS

Please read and follow the instructions in this user manual even if you feel you are familiar with the product, and find a place to keep it handy for future reference.

For your convenience record the complete model number (located on the product identification plate) and the date you received the product, together with your purchase receipt and attach to the warranty and service information. Retain if warranty service is required.

NOTE: The rating of this product (as marked on the product identification plate) is based on specific loading tests. Normal use or the use of other recommended attachments may draw significantly less power.

IMPORTANT SAFEGUARDS

Before using the electrical appliance, the following basic precaution should always be followed including the following.

Read all the instructions.

Before use, check that the voltage of your wall outlet corresponds to the rated voltage manner.

Do not operate the appliance with a damaged cord or after malfunction or has been damaged in any manner.

If the supply cord is damaged, it must be replaced by the manufacturer or its service agent or a similarly qualified person to avoid a hazard.

Do not let cord hang over edge of table or counter or touch another hot surface.

The use of accessory attachments not recommended or sold by the appliance manufacturer, may cause hazards, or result in fire.

Do not immerse the main body, cord, or plug in water or other liquid as this would give rise to electric shock.

Do not touch hot surface. Use handles or knobs only.

This appliance is not intended for use by persons (including children) with reduced physical, sensory or mental capabilities, or lack of experience and knowledge, unless they have been given supervision or instruction concerning use of the appliances by a person responsible for their safety.

Children should be supervised to ensure that they do not play with the appliance.

Do not place an appliance on or near a hot gas or on a heated oven.

Never eject beaters or hooks when the appliance is in operation.

Ensure fingers are kept well away from moving beaters.

Remove beaters hooks from mixer before washing.

Avoid contact with moving parts. Keep hands, hair, and clothing as well as cooking utensils away from beaters during operation to reduce the risk of personal injury and/or damage to mixer.

Do not operate the appliance for other than its intended use.

Do not use outdoors.

In case of technical problems, switch off the machine and do not try to repair it yourself, return the appliance to the nearest authorized service facility for examination, repair or electrical or mechanical adjustment. Failure to comply with above-mentioned conditions could affect the safety of the machine.

Switch off the appliance before changing accessories or approaching parts which move in use.

Save these instructions.

Household use only.

The apparatus cannot be directly applied to liquid substances like water.

This appliance can be used by children aged from 8 years and above and persons with reduced physical, sensory or mental capabilities or lack of experience and knowledge if they have been given supervision or instruction concerning use of the appliance in a safe way and understand the hazards involved. Children shall not play with the appliance. Cleaning and user maintenance shall not be made by children without supervision.

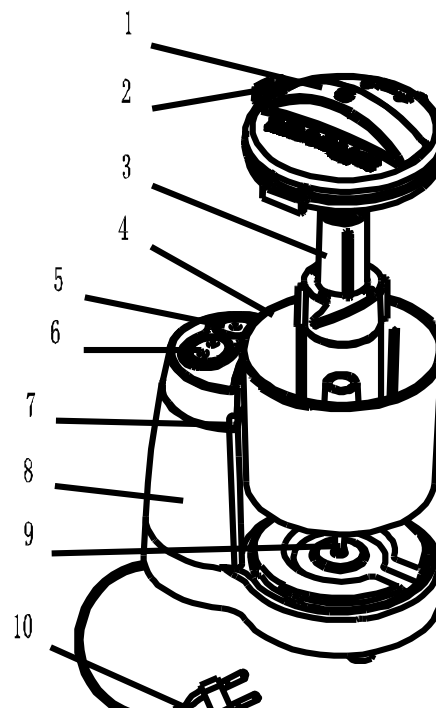
Always disconnect the appliance from the supply if it is left unattended and before assembling, disassembling, or cleaning

This appliance shall not be used by children. Keep the appliance and its cord out of reach of children.

Appliances can be used by persons with reduced physical, sensory or mental capabilities or lack of experience and knowledge if they have been given supervision or instruction concerning use of the appliance in a safe way and if they understand the hazards involved.

KNOW YOUR APPLIANCE

1. Lid
2. Lid locking tabs
3. Blade unit
4. Food bowl
5. Switch button—Low
6. Switch button—High
7. Lid locking slot
8. Body
9. Driver shaft
10. Plug and power cord



BEFORE FIRST USE

Remove the lid, blade unit, food bowl and all packaging material from the retail box.

Remove the lid & blade unit from the main unit. Turn the food bowl in anti-clockwise direction and remove it from main unit.

Clean them thoroughly.

Make sure the food bowl is completely dry before you add the food in.

HOW TO USE THE MINI CHOPPER

Insert the food bowl into main unit and turn the bowl in clockwise to lock it in place.

Put the blade unit inside the food bowl.

Put the materials into the food bowl and clockwise turn the lid to lock in place. Ensure the lid locking slot has been pressed.

Connect the plug to wall socket

One hand holds the main unit and another hand press the switch button; the appliance will be running. Each press should not be over 15 seconds. Release the button and the motor will stop. Repeat for a finer consistency.

A hole of a cup cover function cannot open the cup cover case, the arrow from the concave hole inward cup add oil, vinegar liquid seasoning, also can add salt, pepper, monosodium glutamate and other powdered seasoning.

hole of a cup cover operation

A. the food into the cup, the cup on the host, the tightened, the cup cover.

B. boot operation add spices to the concave hole of the cup cover.

C. boot again, the seasoning and food stirring.

FOOD	QTY	Food size	Chopping time
Nuts	1 cup	--	60 seconds
Fresh herbs, coarse chop	1 loosely packed cup	--	60 seconds
Hard cheeses	55-85 grams	15X15mm	60 seconds
Garlic Cloves	1 cup cloves, peeled	--	20 seconds
Onion	1 cup	20X20mm	20 seconds
Meat	200 grams	20X20mm	30 seconds
Carrot	100 grams	15X15mm	30 seconds
Sun-dried tomatoes in oil	1 cup	15X15mm	30 seconds

NOTE: The max operation period per time shall not exceed 60 seconds and the minimum rest period of 2 minutes shall be maintained between two consecutive cycles.

CLEANING

Unplug the appliance from wall outlet before cleaning.

Clean the appliance after each use to prevent leftover food from sticking. The component can be washed in hot soapy water, except for the body.

Do not use abrasive or strong detergents.

Care shall be taken when handling the sharp cutting blades, emptying the bowl and during cleaning.

Caution: Never immerse the hand mixer or power cord into water for cleaning.

STORAGE

After use, the Chopper can be stored by wrapping the main lead (I) around the motor unit.

WARNING

Any other servicing should be performed by an authorized service representative.

RECYCLING

For further information, please contact your local or regional authorities.

Electronic products not included in the selective sorting process are potentially dangerous for the environment and human health due to the presence of hazardous substances.



CUSTOMER SERVICE

Australian Customer Service

GAF Control (Sales) Pty Ltd

P.O Box 19

Altona North Victoria 3025

Phone: 1300 659 489

Hours: 9am-5pm (EST) Mon-Fri

www.gafcontrol.com.au

*This product may vary slightly to the product illustrated due to ongoing product development.