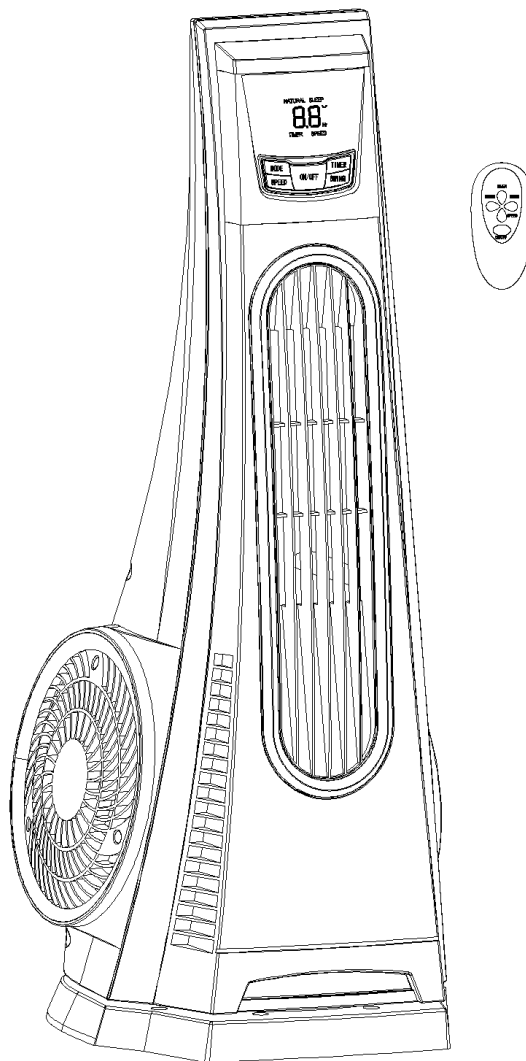


# HELLER

Instruction Manual

## 75cm Turbo Tower Fan With Remote Control

Model: TTF75R



**READ AND SAVE THESE INSTRUCTIONS**

Please read and follow the instructions in this user manual even if you feel you are familiar with the product, and find a place to keep it handy for future reference.

For your convenience record the complete model number (located on the product identification plate) and the date you received the product, together with your purchase receipt and attach to the warranty and service information. Retain in the event that warranty service is required.

**NOTE:** The rating of this product (as marked on the product identification plate) is based on specific loading tests. Normal use or the use of other recommended attachments may draw significantly less power.

## IMPORTANT SAFEGUARDS

---

**When using any electrically powered product, basic safety precautions should always be followed, including the following:**

PLEASE READ ALL INSTRUCTIONS CAREFULLY BEFORE USING THIS PRODUCT

### **WARNING! - to reduce the risk of fire, electrical shock or injury to persons or property:**

- Always operate the product from a power source of the same voltage, frequency and rating as indicated on the product identification plate.
- To reduce the risk of electric shock, do not use this fan with any solid state speed control device.
- Remove the unit from its packaging and check to make sure it is in good condition before using.
- Do not let children play with parts of the packing (such as plastic bags).
- Close supervision is necessary when the product is used by or near children or infirm persons. Do not allow children to use it as a toy.
- Do not operate any product with a damaged cord or plug, or after the product malfunctions, or is dropped or appears damaged in any way. Return the complete product to the place of purchase for inspection, repair or replacement.
- Before unplugging the power cord, be sure to turn the power off. When touching the unit, be sure your hands are dry to prevent electrical shock.
- Fully remove the power cord from the power cord tidy before use. Always uncoil the power cord before applying power.
- Always place the fan on a stable, level surface when operating to prevent the fan from overturning.
- Do not run the power cord under carpet. Do not cover the power with throw rugs or runners. Arrange the power cord away from traffic areas and where it will not be a hazard to persons. The cable should be kept away from heat, sharp edges and oil.
- Never install the unit where it is exposed to direct sunlight, excessive moisture/rain, dust and lack of ventilation near any heat sources.
- Avoid making contact with moving parts. Never insert fingers, pencils or any other objects through the guards whenever the power plug is connected, especially while the unit is working.
- To reduce the risk of electric shock, do not immerse or expose the product or flexible cord to rain, moisture or any liquid other than those necessary for correct operation of the product.

- This product should not be used in the immediate vicinity of water, such as bathtub, washbowls, bathroom swimming pool etc. Where the likelihood of immersion or splashing could occur.
- Switch off and unplug from outlet when not in use, before assembling or disassembling parts and before cleaning. Remove by grasping the plug - do not pull on the cord.
- Be sure that no other high current appliances are plugged into the same circuit with your fan as an overload can occur.
- Do not use this unit with a programmer timer or any other device that switches the unit 'On' automatically, since a fire risk exist the unit is covered or positioned incorrectly.
- Avoid the use of an extension cord as the extension cord may overheat and cause a risk of fire.
- Do not plug this unit into an extension lead, double adaptor or power board.
- Do not use the appliance for other than its intended use.
- Do not use outdoors. **FOR INDOOR USE ONLY.**
- This unit is not intended for use in bathrooms, laundry areas or similar moist indoor locations. Never locate the unit where it may fall into a bathtub, sink or any other water container.
- Do not run the power cord under carpeting or cover the power cord with throw rugs, runners or the like. Arrange the power cord away from traffic areas and where it will not be a hazard to persons.
- Do not place the power cord over any part of the unit.
- Do not leave the appliance unattended when switched on.
- Do not cover the grill, or operate in close proximity to curtains etc.
- Do not block air circulation.
- Do not move the machine when it is switched 'On' and in use.
- Place the machine on a level surface.
- To disconnect the unit, set the main switch to 'OFF' then remove the plug from the outlet.
- This unit has hot electrical parts inside. **DO NOT** use it in areas where gasoline, paint or flammable liquids are used or stored.
- Unplug the appliance during filling and cleaning.
- This product must always be used and stored in the upright position.
- The use of attachments or accessories not recommended or sold by the product distributor may cause personal or property hazards or injuries.
- This product is intended for normal domestic/household use only.
- Use this fan as described in this manual. Any other uses, not recommended by the manufacturer, may cause fire, electric shock, or injury to persons and may void the warranty.
- This appliance is not intended for use by persons (including children) with reduced physical, sensory or mental capabilities, or lack of experience and knowledge, unless they have been given supervision or instruction concerning the use of the appliance by a person responsible for their safety.
- The installation of a residual current device (safety switch) is recommended to provide additional safety protection when using electrical appliances. It is advisable that a safety switch with a rated residual operating current not exceeding 30mA be installed in the electrical circuit supplying the appliance. See your electrician for professional advice.
- Children should be supervised to ensure that they do not play with the appliance.
- Do not leave the fan running unattended.
- Place the appliance on a flat, even level surface.
- Do not use the fan without the support base fitted to the unit.
- Do not remove any fixed covers.
- **WARNING:** If the supply cord is damaged, the power cord must be replaced by the manufacturer, its service agent or similarly qualified persons in order to avoid a hazard.
- This product has not been designed for any uses other than those specified in this booklet.

**SAVE THESE INSTRUCTIONS**

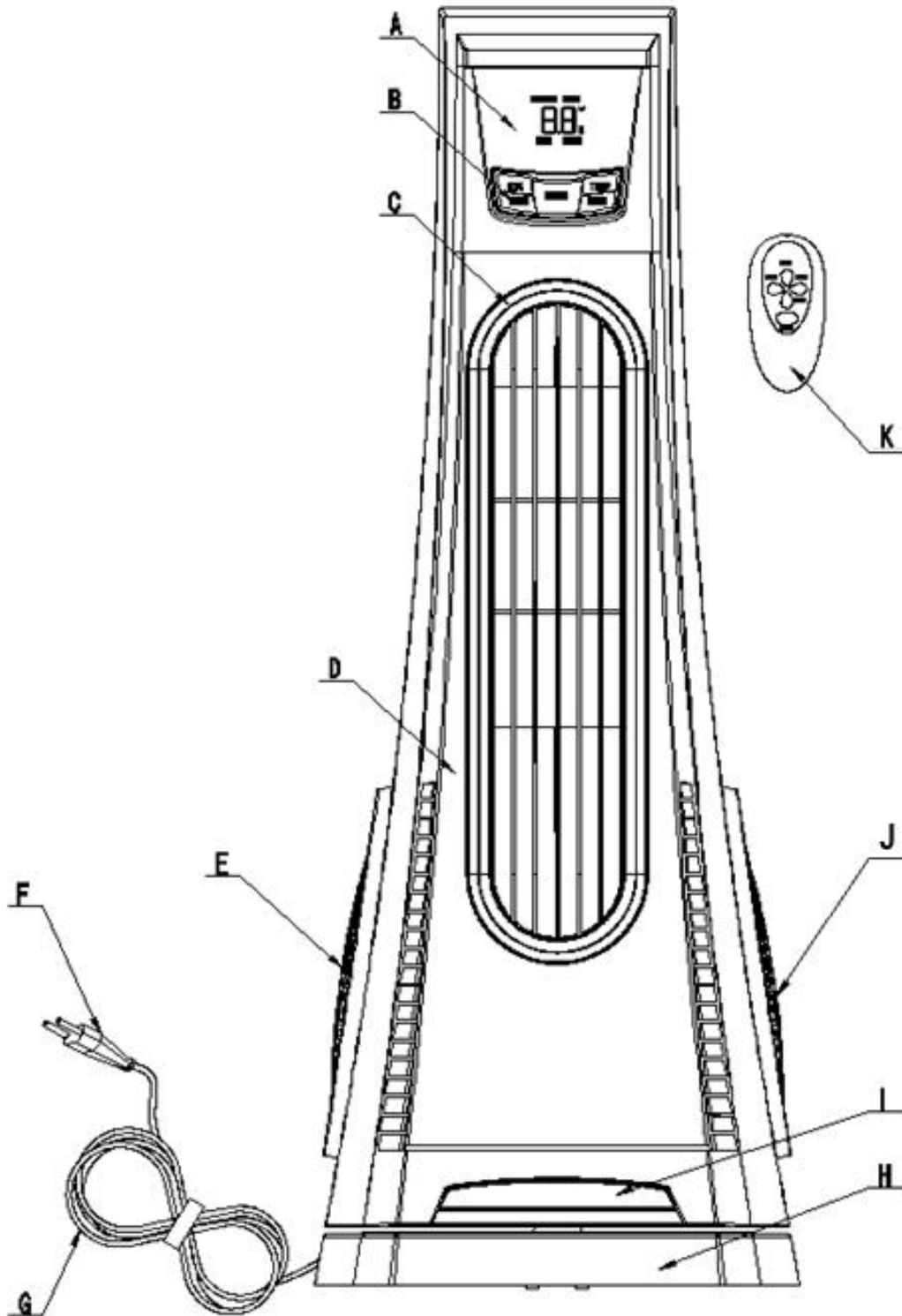
## FEATURES

---

- A. Digital display cover
- B. Buttons
- C. Decorate Ring
- D. Body

- E. Left grille
- F. Plug
- G. Power cord
- H. Base

- I. Decorate Cover
- J. Right grille
- K. Remote Control



## BEFORE FIRST USE

---

Before use, remove all packaging and inspect the appliance for any damage. If there appears to be any damage, please take the unit back to place of purchase for a replacement.

## OPERATING INSTRUCTIONS

---

**NOTE:** Before inserting the plug into a power outlet, make sure that the correct voltage being used corresponds to what is indicated on the rating label, and that the socket has an earth facility.

1. Place your fan on a firm, levelled surface, away from moisture and heat sources.
2. Remove the cable tie and unravel the cord set before operation.
3. Connect the plug into an electrical socket and switch on at the wall.

### MANUAL CONTROL

- **Timer:** You can set the time 1h, 2h, 3h, 4h, 5h, 6h, 7h, 8h with this button.
- **Swing:** When the unit is on, push it once and it will start to oscillate. Push it again, the oscillation will stop.
- **Speed:** There are 3 speeds: Low/ Medium/ High. Press this button and select the speed desired.
- **ON/OFF:** To switch the unit ON/OFF
- **Mode:** The MODE button has 3 Wind modes: NORMAL, NATURE & SLEEP. The fan will start from NORMAL wind mode. Push the MODE button again to select the NATURE wind mode, and again for SLEEP wind mode. NATURE: stimulates the flow of a natural breeze. SLEEP: intersperses 'natural' breezes with longer periods of stillness.

### BATTERY INFORMATION

---

- Do not use different types of batteries or new and worn batteries together.
- Never use rechargeable batteries in this remote.
- Remove the batteries if you do not require the use of your remote control for a long time.
- Respect the environment when disposing of batteries.
- 2 X AAA batteries are required (not included).

**ATTENTION:** Function of the remote control button fully corresponds to that of the control panel buttons.

### CARE & CLEANING

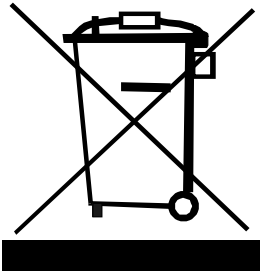
---

- Switch off and unplug the power supply before cleaning.
- Do not use the product in oily or dirty areas (i.e. the kitchen, smoky places, etc), as air vents may become blocked.
- Clean the surface of the unit with a soft dry cloth.
- Do not use solvents or abrasive cleaners on this appliance.
- Do not immerse the fan in water or any other liquid. In order to avoid electrical shock, take care that no water enters the fan.
- To clean the air inlets you can use a vacuum cleaner with a corresponding attachment.
- Store the fan in its original carton or cover it to protect it from dust. Store it in a cool, dry place.

**NOTE:** If the power cord set of this appliance becomes damaged, discontinue use. Repairs should be undertaken only by a qualified technician.

## DISPOSAL

---



### Environmental Protection

Waste electrical production should not be disposed of with household waste.

Please recycle where facilities exist. Check with your Local Authority or retailer for recycling advice.

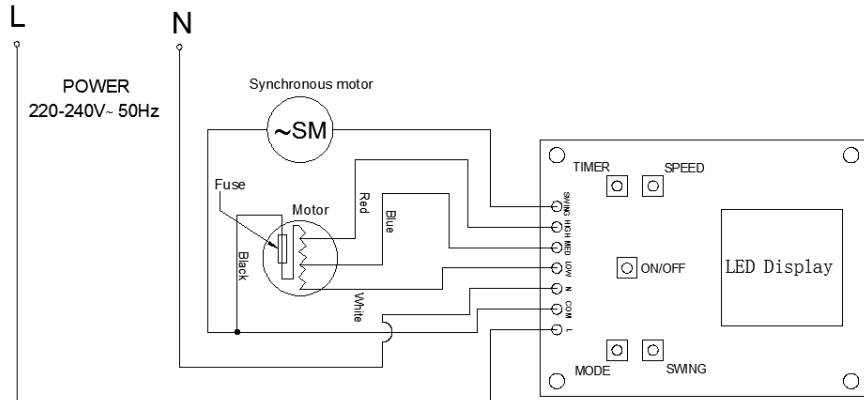
## SPECIFICATIONS

---

Model	Description	Voltage	Frequency	Wattage
TTF75R	75cm Turbo Tower Fan with Remote Control	220-240Vac~	50Hz	100W

## CIRCUIT DIAGRAM

---



## CUSTOMER SERVICE

---

### Australian Customer Service

GAF Control (Sales) Pty Ltd

P.O Box 19

Altona North Victoria 3025

Phone: 1300 659 489

Hours: 9am-5pm (EST) Mon-Fri

[www.gafcontrol.com.au](http://www.gafcontrol.com.au)

\*This product may vary slightly to the product illustrated due to ongoing product development.